



TM-264359E

2016-09

Processes



Stick (SMAW) Welding



TIG (GTAW) Welding



MIG (GMAW) Welding



Flux Cored (FCAW) Welding



Air Carbon Arc (CAC-A)
Cutting and Gouging

Description



Engine Driven Welder/Generator

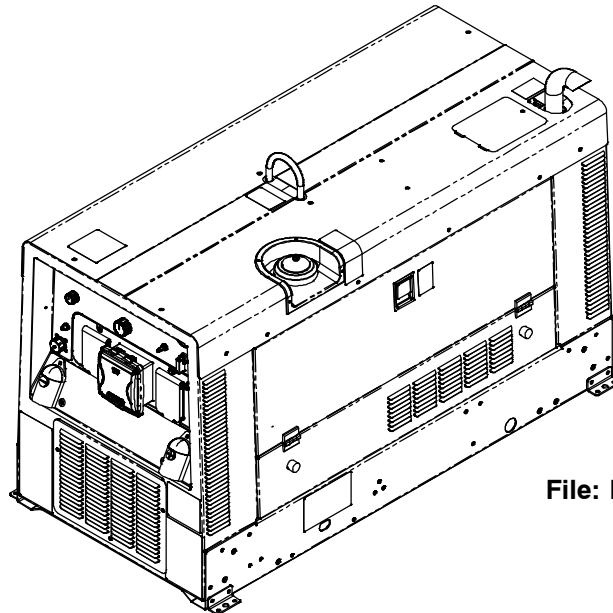
Big Blue[®] 400 and 400 X Pro Series

CAT, Kubota, And Mitsubishi Engines
CE And Non-CE Models

Big Blue[®] 300R Pro Kubota Engine

PARTS LIST

Eff w/Serial No. MD510140E And Following

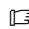


File: Engine Drive 



Visit our website at
www.MillerWelds.com

SECTION 13 – PARTS LIST

 Hardware is common and not available unless listed.

Wiring harnesses are listed at the end of parts section.

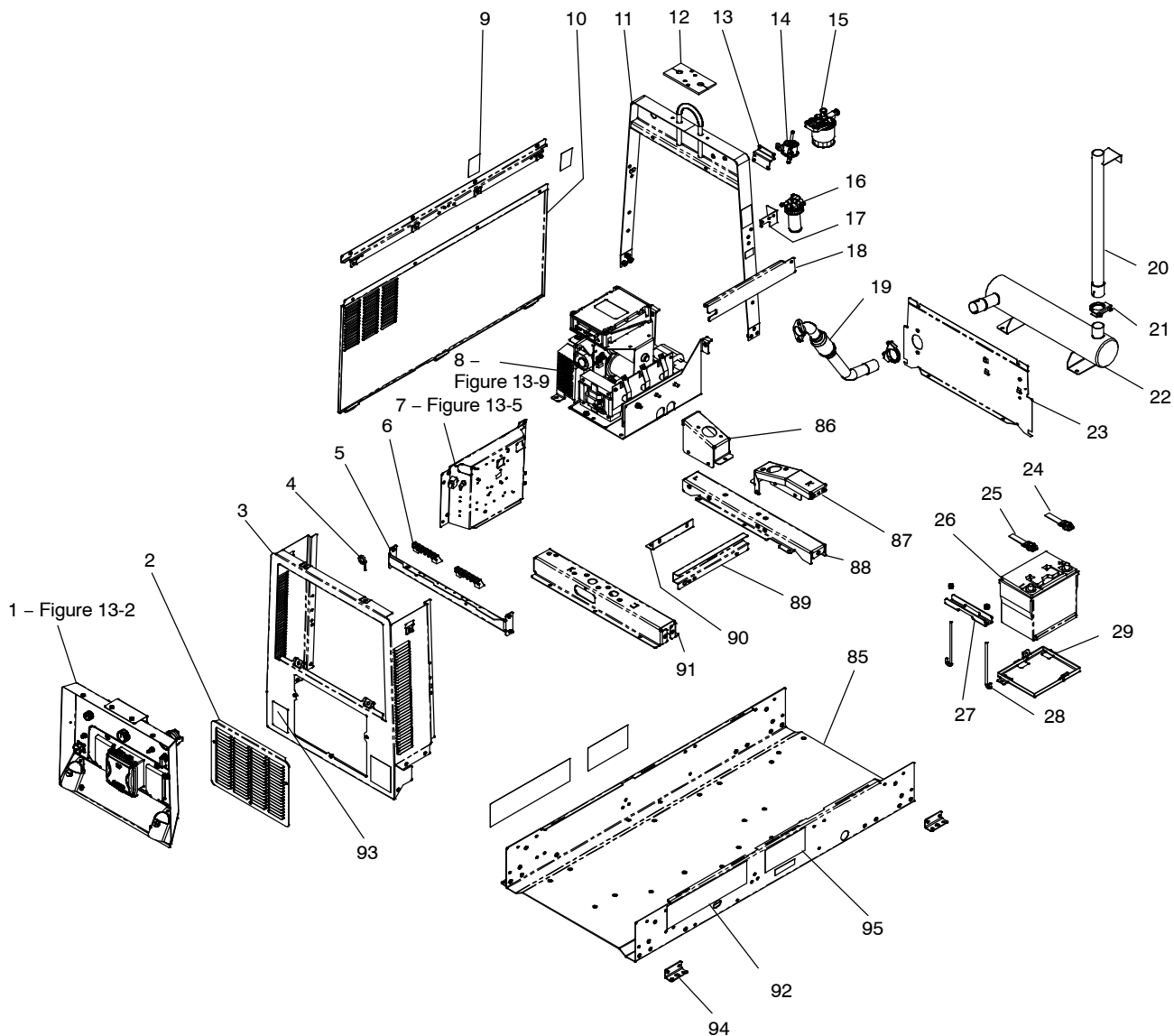
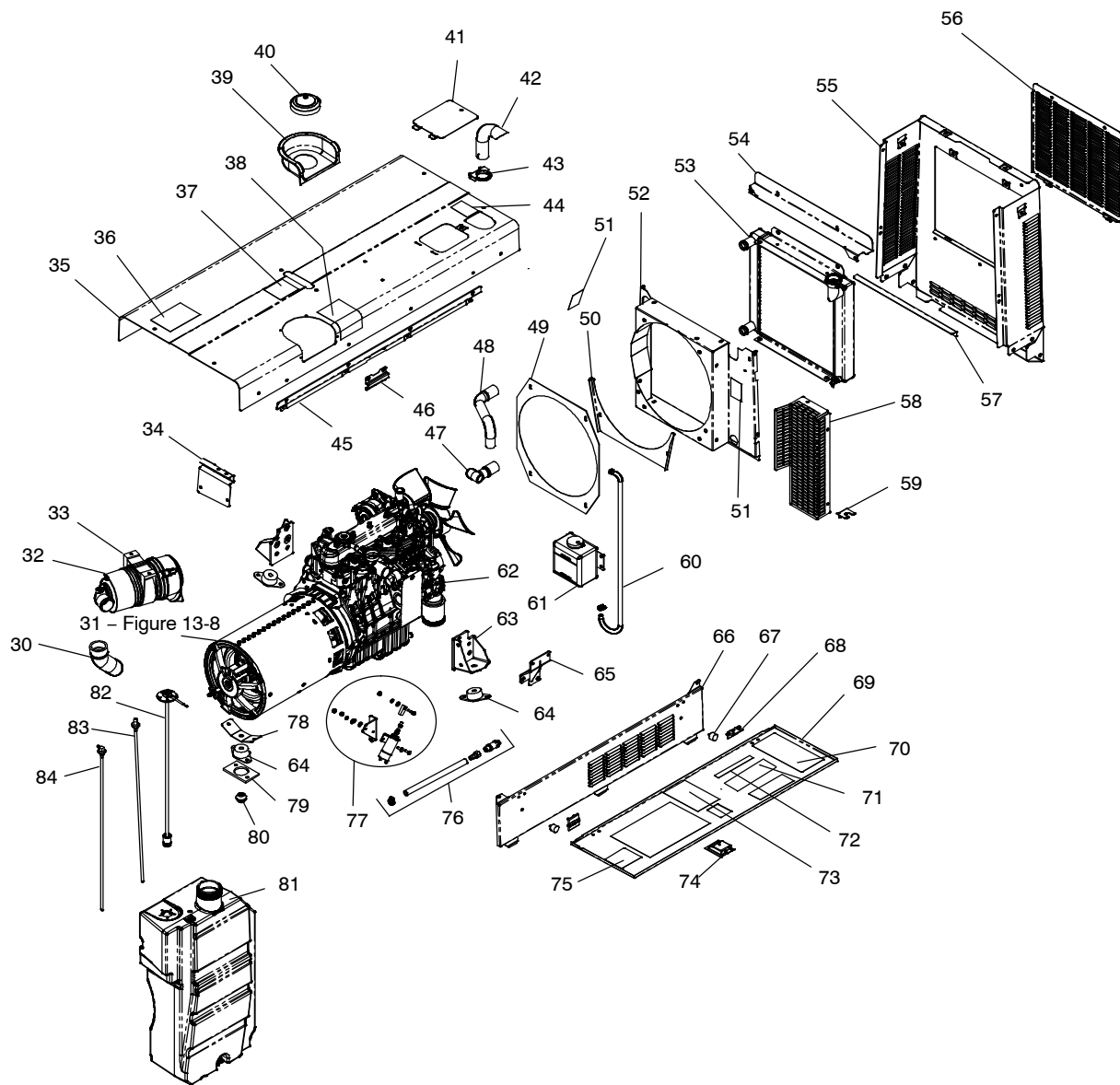


Figure 13-1. Main Assembly

Eff w/Serial No. MD510140E And Following



Eff w/Serial No. MD510140E And Following

Item No.	Dia. Mkgs.	Part No.	Description	Quantity
Figure 13-1. Main Assembly				
...	1	Figure 13-2	Front Panel Assembly	1
...	2	220955	Panel, Front Access	1
...	3	+226104	Upright, Front	1
...	4	105370	Xfmr, Current	1
...	5	213500	Brkt, Beam Support	1
...	6	TE1, TE2 .. 172661	Block, Stud Connection 6 Position	2
.....		173734	Link, Jumper	3
...	7	Figure 13-5	Control Panel Assembly	1
...	8	Figure 13-9	Weld Control Assembly	1
...	9	225120	Label, Warning Moving Parts Can Cause Injury (Prior To MF520019E)	1
...	9	272334	Label, Warning Moving Parts (En/Fr-Sym) (Eff w/MF520019E)	1
...	10	+243709	Panel, Engine Side	1
...	11	+259211	Upright, Center Assy	1
...	12	189464	Seal, Weather Lift Eye	1
...	13	213501	Bracket, Fuel Pump/Filter (CAT and Kubota Engine Models)	1
...	13	243950	Bracket, Mtg Fuel Filter (Mitsubishi)	1
...	14	207721	Pump, Fuel (CAT and Kubota Engine Models)	1
...	14	265524	Pump, Fuel Electric 12vdc W/O Filter (Mitsubishi)	1
...	15		Bracket, Fuel Filter Mtg. (Order Thru Engine Manufacturer)	1
.....		218469	Filter, Fuel Spin-on (Kubota)	1
.....		252781	Filter, Fuel Spin-On (Mitsubishi)	1
.....		217687	Filter, Fuel Spin-On (CAT)	1
...	16	233482	Kit, Fuel Sedimenter (Kubota Engine Only)	1
...	17	234714	Bracket, Sedimenter (Kubota Engine Only)	1
...	18	214753	Bracket, Holddown Fuel Tank	1
...	19	212620	Pipe, Exhaust Flexible Inlet Kubota V1505	1
...	19	241264	Pipe, Exhaust Flexible Inlet Mitsubishi S412	1
...	19	229061	Pipe, Exhaust Flexible Cat C1.5	1
.....		213602	Gasket, Exhaust Outlet (CAT and Kubota Engine Models)	1
.....		245752	Gasket, Exhaust Outlet (Mitsubishi)	1
...	20	212605	Pipe, Exhaust (Domestic Models)	1
...	20	244507	Pipe, Exhaust (Export Models)	1
...	21	209057	Clamp, Muffler	2
...	22	201528	Muffler, Exhaust Engine	1
...	23	212604	Baffle, Air Lower Radiator	1
...	24	190207	Cable, Bat Pos 45 In Lg No 1 Awg W/Clamp & .406 Rng	1
...	25	190206	Cable, Bat Neg 42 In Lg 2 Awg W/Clamp & .375 Rng	1
...	26	BATT	Battery, Stor 12v 12V 570 CRK 100 RSV GP 35 M.F.	1
...	27	261792	Bracket, Battery Holddown	1
...	28	213465	Bolt, J Stl .312-18 X 7.250 Pld	2
...	29	261784	Bracket, Battery Locator	1
...	30	212618	Hose, Air Intake (Kubota)	1
...	30	241272	Hose, Air Intake (Mitsubishi)	1
...	30	212617	Hose, Air Intake (CAT)	1
...	31	Figure 13-8	Generator Assembly	1
...	32	249657	Air Cleaner, Intake 5.250 In (Includes)	1
.....		249661	Dust Ejector, Air Cleaner	1
.....		*197676	Element, Air Cleaner	1
.....		◆*197679	Element, Air Cleaner Safety	1
.....		249659	Cover Assy, Air Cleaner	1
.....		249658	Body, Air Cleaner	1
.....		249664	Latch, Air Cleaner	1
...	33	197829	Bracket, Mtg Air Cleaner	1
...	34	249550	Bracket, Mtg Air Intake (Mitsubishi)	1
...	35	+249656	Cover, Top	1
...	36	233088	Label, Danger Using A Generator Indoors Can Kill You In Minutes (Prior To MF520019E)	1

Eff w/Serial No. MD510140E And Following

Item No.	Dia. Mkgs.	Part No.	Description	Quantity
Figure 13-1. Main Assembly (Continued)				
36		272340	Label, Danger Using Generator Indoor (En/Fr/Sp-Sym) (Eff w/MF520019E)	1
37		222513	Label, Warning Falling Equipment Can Cause Serious (Prior To MF520019E)	1
37		272339	Label, Warning Falling Equipment (En/Fr-Sym) (Eff w/MF520019E)	1
38		192041	Label, Use Diesel Fuel Only (Prior To MF520019E)	1
38		272338	Label, Use Diesel Fuel Only (En/Fr-Sym) (Eff w/MF520019E)	1
39		189052	Grommet, Plastic Neck Filler Fuel	1
40		254678	Cap, Tank Screw-on 3.500 In W/Vent W/Lanyard 8"	1
41		201851	Cover, Radiator Access	1
42		214604	Pipe, Exhaust Elbow	1
43		209057	Clamp, Muffler	1
44		224265	Label, Warning Hot Exhaust Parts Do Not Touch (Prior To MF520019E)	1
44		272333	Label, Warning Hot Parts (En/Fr-Sym) (Eff w/MF520019E)	1
45		213471	Bracket, Cover Top	2
46		213472	Keeper, Latch Engine Access	1
47		212616	Hose, Radiator Lower Kubota V1505	1
47		212614	Hose, Radiator Lower Cat 3013	1
47		241286	Hose, Radiator Lower Mitsubishi S412	1
48		212615	Hose, Radiator Upper Kubota V1505	1
48		212613	Hose, Radiator Upper Cat 3013	1
48		241256	Hose, Radiator Upper Mitsubishi S412	1
49		212624	Shroud, Adapter Fan (Kubota)	1
50		217387	Baffle, Fan (CAT)	1
51		225120	Label, Warning Moving Parts Can Cause Injury (Prior To MF520019E)	2
51		272334	Label, Warning Moving Parts (En/Fr-Sym) (Eff w/MF520019E)	2
52		+212607	Shroud, Radiator (CAT and Kubota Engine Models)	1
52		+241176	Shroud, Radiator (Mitsubishi)	1
53		244812	Radiator, W/14# Cap 1 Row Core 1.25 In Inlet/Outlet (Includes)	1
		187120	Cap, Radiator Pressure 14lb	1
54		212603	Baffle, Air Upper Radiator	1
55		+243710	Upright, Rear	1
56		243711	Cover, Radiator Access	1
57		220295	Bracket, Stiffener	1
58		213502	Guard, Fan (CAT and Kubota Engine Models)	1
58		241266	Guard, Fan (Mitsubishi)	1
59		222652	Bracket, Mtg Hose	1
60		254806	Hose Assy, W/Clamp (Coolant)	1
61		190190	Tank, Coolant Recovery	1
62		263133	Engine, Kubota	1
		*218467	Filter, Oil	1
		213244	Switch, Coolant Temp N.c. 110c	1
		221485	Switch, Lubricating Oil Pressure N.O.	1
		200653	Heater, Block Engine 120v 400w Kubota 905	1
		*218468	Belt, Alternator	1
	S3	221485	Switch, Pressure Oil 4 psi No 1/8-28 Bspt	1
62		261652	Engine, CAT Dsl Elec C1.5	1
		*202166	Filter, Oil Cat-220-1523	1
		*217686	Belt, Alternator	1
		217695	Switch, Coolant Temp N.C. 110c	1
		217696	Switch, Lubricating Oil Pressure N.O.	1
62		263134	Engine, Mitsubishi Dsl Elec S4L2	1
		*242882	Filter, Oil	1
		*242883	Belt, Alternator	1
		244039	Switch, Coolant Temp N.O. 111c (Mitsubishi)	1
		244040	Switch, Lubricating Oil Pressure N.C. (Mitsubishi)	1
63		213480	Bracket, Mtg Engine (CAT and Kubota Engine Models)	2

Eff w/Serial No. MD510140E And Following

Item No.	Dia. Mkgs.	Part No.	Description	Quantity
Figure 13-1. Main Assembly (Continued)				
63		244218	Bracket, Mtg Engine (Mitsubishi Engine Only)	2
64		213266	Mount, Engine/Generator Flange Mtg	3
65		243950	Bracket, Mtg Fuel Filter (Mitsubishi)	1
66		243708	Panel, Rocker	1
67		254634	Bumper,	2
68		189975	Hinge, Door Access 180 Deg	2
69		+213487	Door, Engine Access	1
70		238650	Label, Hour/Fuel Meter Usage	1
71		287061	Label, Diesel Engine Maintenance Kubota 1505-E3BG	1
71		237382	Label, Diesel Engine Maintenance CAT C1.5	1
71		239396	Label, Diesel Engine Maintenance Mitsubishi S4L2	1
72		203260	Label, Caution Do Not Use Ether (Prior To MF520019E)	1
72		272332	Label, Notice Do Not Use Ether (En/Fr-Sym) (Eff w/MF520019E)	1
73		168385	Label, Warning Battery Explosion Can Blind (Prior To MF520019E)	1
73		272341	Label, Warning Battery Explosion (En/Fr-Sym) (Eff w/MF520019E)	1
74		245362	Latch, Paddle Series 20 (Black)	1
75		217698	Label, Help Codes	1
			Washer, Oil Drain (Order Thru Engine Manufacturer)	1
76		199505	Hose Assy, Oil Drain 32.000 Lg (Includes)	1
		113854	Hose, Sae .500 Id X .780 Od Xcoil	2.6 Ft.
		176529	Ftg, Hose Brs Barbed Fem 1/2 Tbg X 3/8 Npt	1
		165271	Valve, Oil Drain 3/8-18 Nptf	1
77		235023	Idle Solenoid Assembly, CAT	1
77		264327	Idle Solenoid Assembly, Kubota	1
78		213461	Bracket, Mtg Generator	1
79		213462	Pad, Mtg Generator	1
80		213463	Spacer/Snubber, Generator Mtg	1
81		262722	Tank, Fuel (Includes Fuel Cap And Items Below)	1
		189908	Valve, Drain Fuel 180 Deg Zinc Pld	1
		181572	Bushing, Tank Fuel	1
		124253	Bushing, Tank Fuel	1
82	SENDER	264195	Sender, Fuel Gauge	1
83		212611	Hose, Fuel Stand Pipe W/3/16 In Ftg (Return)	1
84		212610	Hose, Fuel Stand Pipe W/5/16 In Ftg (Supply)	1
85		213458	Base	1
86		213485	Support, Engine Lh	1
87		213484	Support, Engine Rh (Kubota Engine Only)	1
87		213483	Support, Engine Rh (CAT and Mitsubishi Engine Models)	1
88		213459	Crossmember, Engine	1
89		213506	Bracket, Hold-Down Fuel Tank	1
90		192303	Angle, Mtg Stabilizer	1
91		213460	Crossmember, Generator	1
92		233953	Label, Warning General Precautionary CSA (Prior To MF520019E)	1
92		272343	Label, Warning General Precautionary (En/Fr-Sym) (Eff w/MF520019E)	2
93			Label, Rating Card Code 133 (Order By Model And Serial No.)	1
94		213668	Bracket, Mtg Unit	4
95		224266	Label, Warning Do Not Weld On Base (Prior To MF520019E)	1
95		272342	Label, Warning Do Not Weld On Base (En/Fr-Sym) (Eff w/MF520019E)	2

+ When ordering a component originally displaying a precautionary label, the label should also be ordered.

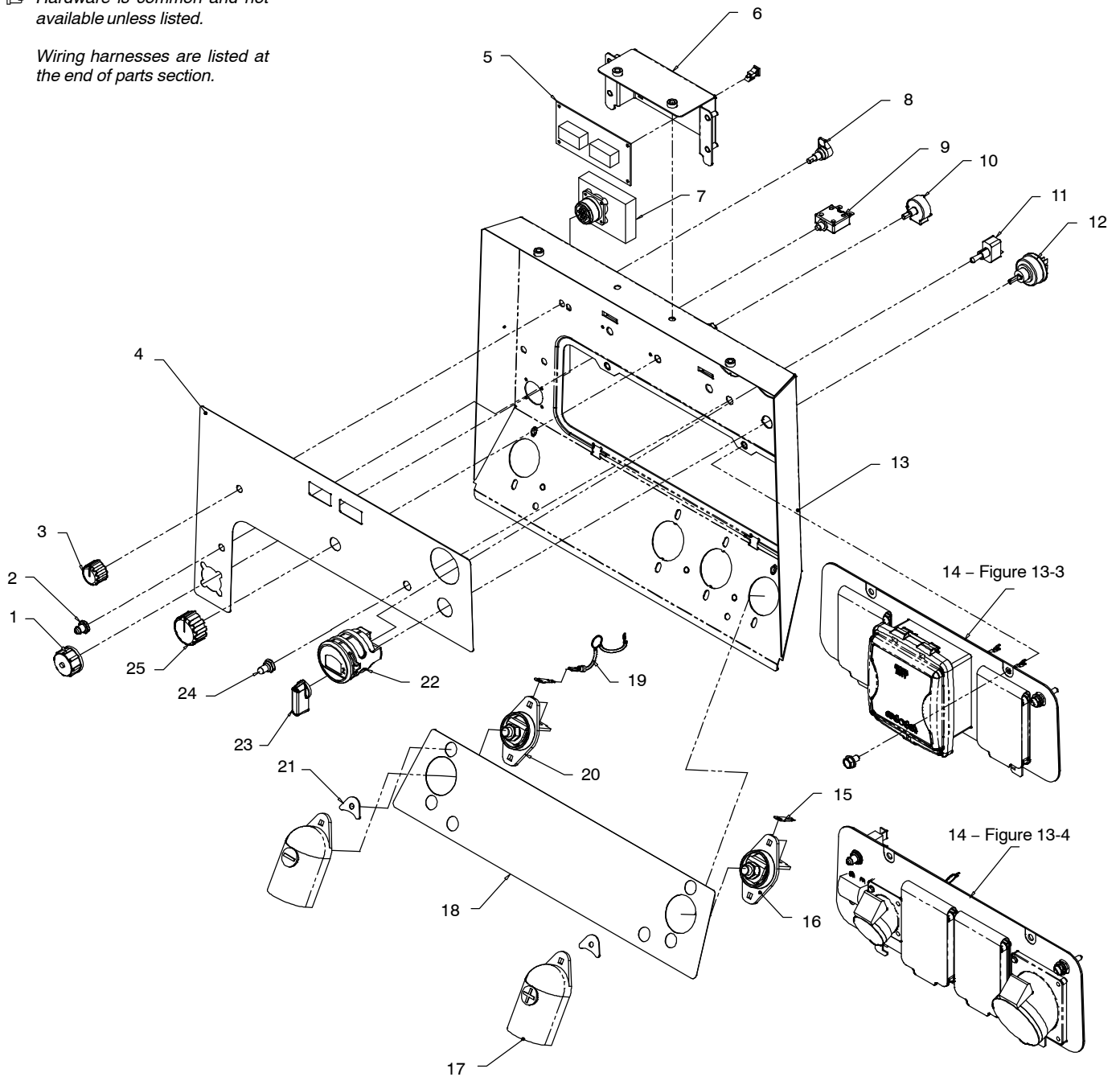
* Recommended Spare Parts.

To maintain the factory original performance of your equipment, use only Manufacturer's Suggested Replacement Parts. Model and serial number required when ordering parts from your local distributor.

Eff w/Serial No. MD510140E And Following

☞ Hardware is common and not available unless listed.

Wiring harnesses are listed at the end of parts section.



264 483-A

Figure 13-2. Panel, Front w/Components

Item No.	Dia. Mkgs.	Part No.	Description	Quantity
----------	------------	----------	-------------	----------

Figure 13-2. Panel, Front w/Components (Figure 13-1 Item 1)

...	1	170391	.. Conn, Circ Ms Protective Cap Size 20 Nylon	1
...	2	190323	.. Boot, Circuit Breaker Clear Hex Nut	1
...	3	207080	.. Knob, Pointer 1.125 Dia	1
...		072590	.. Lock, Shaft Pot .375-32 X .250 Dia Shaft Tall	1
...	4		Label, Controls (Order By Model And Serial No.)	1
...	5	PC2 247416	.. Circuit Card Assy, Display W/Program	1
...	6	214543	.. Enclosure, Circuit Card Assy	1
...		134201	.. Stand-off Support, Pc Card .312/.375w/Post&lock .43	4

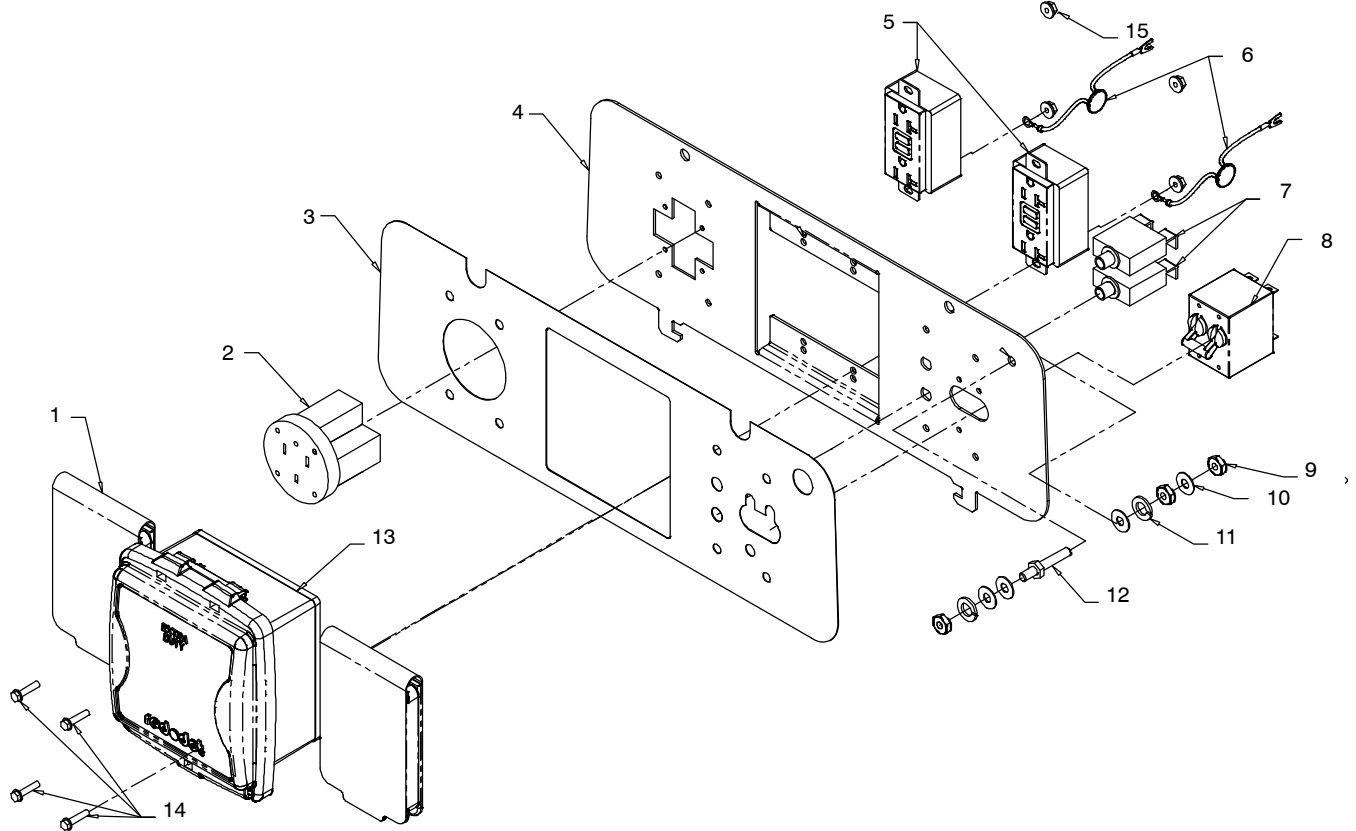
Eff w/Serial No. MD510140E And Following

Item No.	Dia. Mkgs.	Part No.	Description	Quantity	
Figure 13-2. Panel, Front w/Components (Continued)					
...	7	PC6	242263	.. Circuit Card Assy, Connector/Receptacle	1
...	8	R1	214760	.. Switch, Rotary 12 Posn 1p 200ma 28vdc W/Resistors	1
...	9	CB8	083432	.. Supplementary Pro, Man Reset 1p 10a 250vac Frict	1
...	10	R2	193118	.. Pot, Cp Flat 1t 2. W 1k Ohm Linear	1
...	11	S4	021467	.. Switch, Tgl Spst 3a 250v Off–none–(On) Spd Term	1
...	12	S1	217680	.. Switch, Ignition 4 Position W/Out Handle	1
...	13		255467	.. Panel, Front Engine/Weld Control (Prior To ME340102E)	1
...	13		268979	.. Panel, Front Engine/Weld Control (Eff w/ME340102E)	1
...	14		Figure 13-3	.. Auxiliary Power Panel (Domestic)	1
...	14		Figure 13-4	.. Auxiliary Power Panel (Export)	1
...	15		010381	.. Connector, Rectifier	2
...	16		241432	.. Terminal, Pwr Output Red	1
...	17		186621	.. Boot, Generic Output Stud	2
...	18			.. Label, Nameplate (Order By Model And Serial No.)	1
...	19	C4, 5	128750	.. Capacitor, Cer Disc .1 Uf 500 Vdc W/Terms	2
...	20		241433	.. Terminal, Pwr Output Black	1
...	21		180735	.. Washer, Output Stud	2
...			181169	.. Spacer, Output Stud	2
...	22	FUEL/HM	232111	.. Gauge, Fuel Elec/Hour Meter (Kubota and CAT Engine Models)	1
...	22	FUEL/HM	246181	.. Gauge, Fuel Elec/Hour Meter (Mitsubishi)	1
...	23		207073	.. Lever, Ignition Switch	1
...			201244	.. Washer, Tooth.728idx1.166odx.050t Stl Pld Int.688	1
...	24		021385	.. Boot, Toggle Switch Lever	1
...	25		218764	.. Knob, Pointer 1.625 Dia	1
...			263936	.. Lead Assy, Extension	1
...			270453	.. Label, Warning Read Owner's Manual Wordless (Eff w/MF520019E)	1

+ When ordering a component originally displaying a precautionary label, the label should also be ordered.

To maintain the factory original performance of your equipment, use only Manufacturer's Suggested Replacement Parts. Model and serial number required when ordering parts from your local distributor.

Eff w/Serial No. MD510140E And Following



263 906-A

Figure 13-3. Panel, Auxiliary Power Domestic

Item No.	Dia. Mkgs.	Part No.	Description	Quantity
----------	------------	----------	-------------	----------

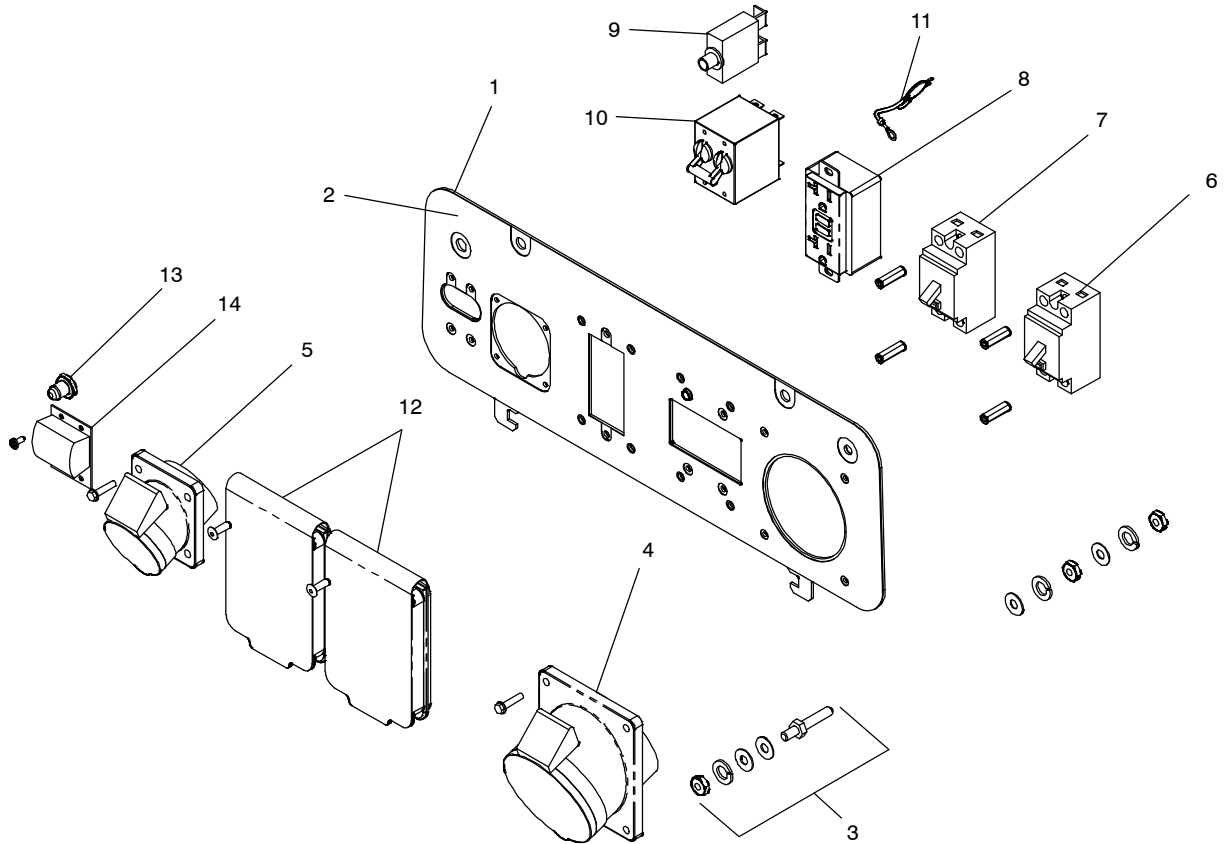
Figure 13-3. Panel, Auxiliary Power Domestic (Figure 13-2 Item 14)

...	1	209056	.. Cover, Receptacle W/Gasket	2
...	*2	RC11	182954 .. Rcpt, Str 3p4w 50a 125/250v Flush Mtg *14-50	1
...	3	263481	.. Label, Aux Power W/In Use Cover (Bf)	1
...	4	263826	.. Panel, Power	1
...	*5	GFCI1, 2	246614 .. Rcpt, Str Dx Grd 2p3w 20a 125v *5-20r Gfi	2
...	*6	C11, C12	217054 .. Capacitor, Cer Disc .0047 Uf 3000 Vdc W/Terms	2
...	*7	CB4, CB6	093996 .. Supplementary Pro, Man Reset 1p 20a 250vac Frict	2
...	*8	CB5	203026 .. Supplementary Protector, Man Reset 2p 50a 240vac	1
...	9	601836	.. Nut, 250-20 .50hex .19h Brs	3
...	10	010915	.. Washer, Flat .257idx0.640odx.031t Brs	4
...	11	163167	.. Washer, Lock .254idx0.489odx.062t Sst Split.250	2
...	12	GRD	083030 .. Stud, Brs .250-20 X 1.750 W/Hex Collar	1
...	13	263905	.. Cover, Receptacle Weatherproof Duplex Dual	1
...	14	602085	.. Screw, 008-32x .75 Hexwhd.34d Stl Pld Slffmg Tap-Rw	4
...	15	119873	.. Nut, 008-32 .34hex .22l Stl Pld Ser Flange	4
...	*	264136	.. Leads List, Small (sold as part of 264135)	1

* = Part of 264135 Harness, Rcpt Aux Power

To maintain the factory original performance of your equipment, use only Manufacturer's Suggested Replacement Parts. Model and serial number required when ordering parts from your local distributor.

Eff w/Serial No. MD510140E And Following



265 602-A

Figure 13-4. Panel, Auxiliary Power Export

Item No.	Dia. Mkgs.	Part No.	Description	Quantity
----------	------------	----------	-------------	----------

Figure 13-4. Panel, Auxiliary Power Export (Figure 13-2 Item 14)

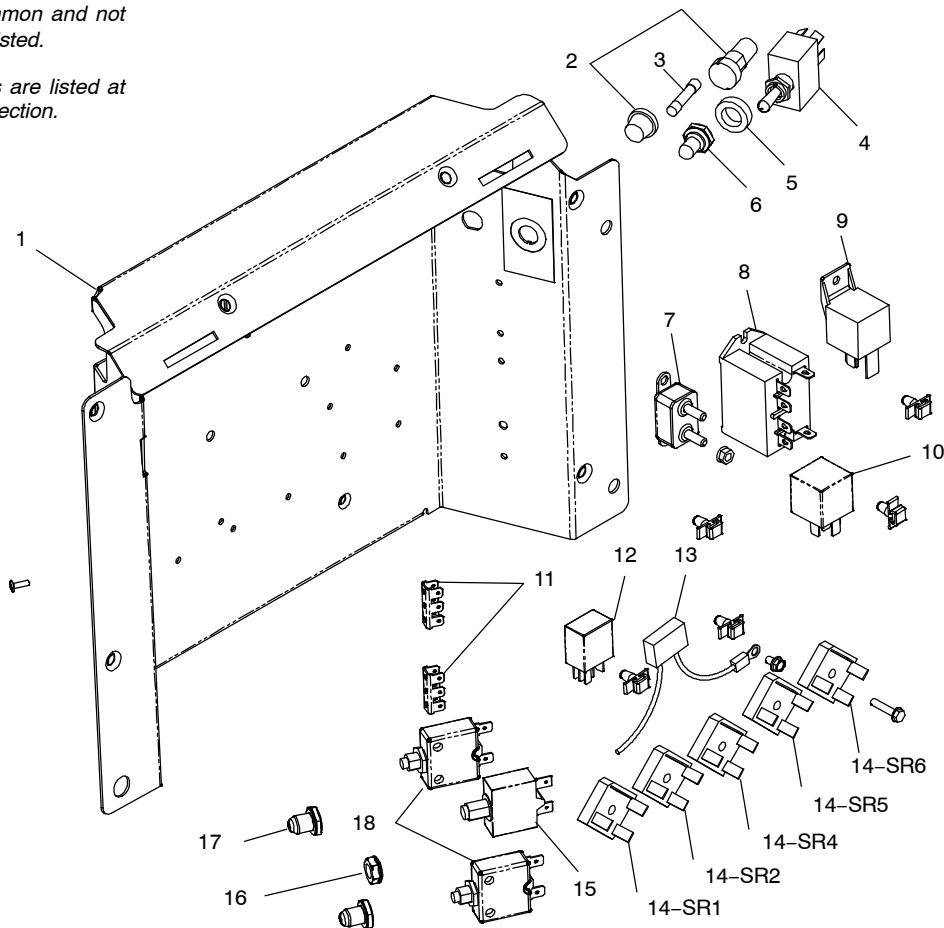
...	1	265603	Panel, Power (Ex)	1
...	2	265604	Label, Aux Power (Ex)	1
...	3	197203	Grounding Stud Assy, Brass	1
...	4	RC11	Rcpt, Str 2p3w 32a 220v Flange Mtg	1
...	5	RC12	Rcpt, Str 2p3w 16a 220v Flange Mtg	1
...	6	ELCB2	Circuit Breaker, Elcb 32a 220v 0.030a Trip	1
...	7	ELCB1	Circuit Breaker, Elcb 16a 220v 0.030a Trip	1
...	8	GFCI1	Receptacle, Gfci 15/20a	1
...	9	CB4	Supplementary Pro, Man Reset 1p 20a 250vac Frict	1
...	10	CB5	Supplementary Protector, Man Reset 2p 40a 240vac	1
...	11	C12	Capacitor, Cer Disc .0047 Uf 3000 Vdc W/Terms	1
...	12	209056	Cover, Receptacle W/Gasket	2
...	13	190323	Boot, Circuit Breaker Clear Hex Nut	1
...	14	203016	Boot, Circuit Breaker 2 Pole	1

To maintain the factory original performance of your equipment, use only Manufacturer's Suggested Replacement Parts. Model and serial number required when ordering parts from your local distributor.

Eff w/Serial No. MD510140E And Following

☞ Hardware is common and not available unless listed.

Wiring harnesses are listed at the end of parts section.



264 466-A

Figure 13-5. Kubota Control Panel

Item No.	Dia. Mkgs.	Part No.	Description	Quantity
----------	------------	----------	-------------	----------

Figure 13-5. Kubota Control Panel (Figure 13-1 Item 7)

...	1	220981	Bracket, Mtg Components	1
...	2	256852	Holder, Fuse Mintr .250 X 1.250 Panel Mtg	1
...	3	F1 085874	Fuse, Mintr Cer Slo-blo 10. Amp 250 Volt	1
...	4	S5 028111	Switch, Tgl Dpst 20a 250v Spd Term	1
...	5	202209	Spacer, Nylon .805 Od X .510 Id X .220 Lg	1
...	6	021385	Boot, Toggle Switch Lever	1
...	7	CB1 190374	Circuit Breaker, Auto Reset 12vdc 40 Amp	1
...	8	CR1 223710	Relay, Encl 12vdc Dpst-no 25a 6pin Flange	1
...	9	CR3 197325	Relay, Encl 12vdc Spst 70a 4pin Flange Mtg	1
...	10	CR4 173069	Relay, Encl 12vdc Spdt 50a/30a 5pin Flange Mtg	1
...	11	129524	Term, Frict 250x032 Uninsul Male .130 Stud Mtg 3pr	2
...	12	CR2 252053	Relay, Encl 12vdc Spst 35a/14vdc 5 Pin	1
...	13	C14 265542	Capacitor, W/Terminals (.027uf)	1
...	14	SR1,2,4,5,6 035704	Rectifier, Integ Bridge 40. Amp 800v	5
...	15	CB9 230635	Supplementary Pro, Auto Reset 1p 8a 12vdc Frict	1
...	16	147195	Nut, 375-27 .54hex .25h Nyl Flange .62d	1
...	17	190323	Boot, Circuit Breaker Clear Hex Nut	2
...	18	CB2, CB3 083432	Supplementary Pro, Man Reset 1p 10a 250vac Frict	2

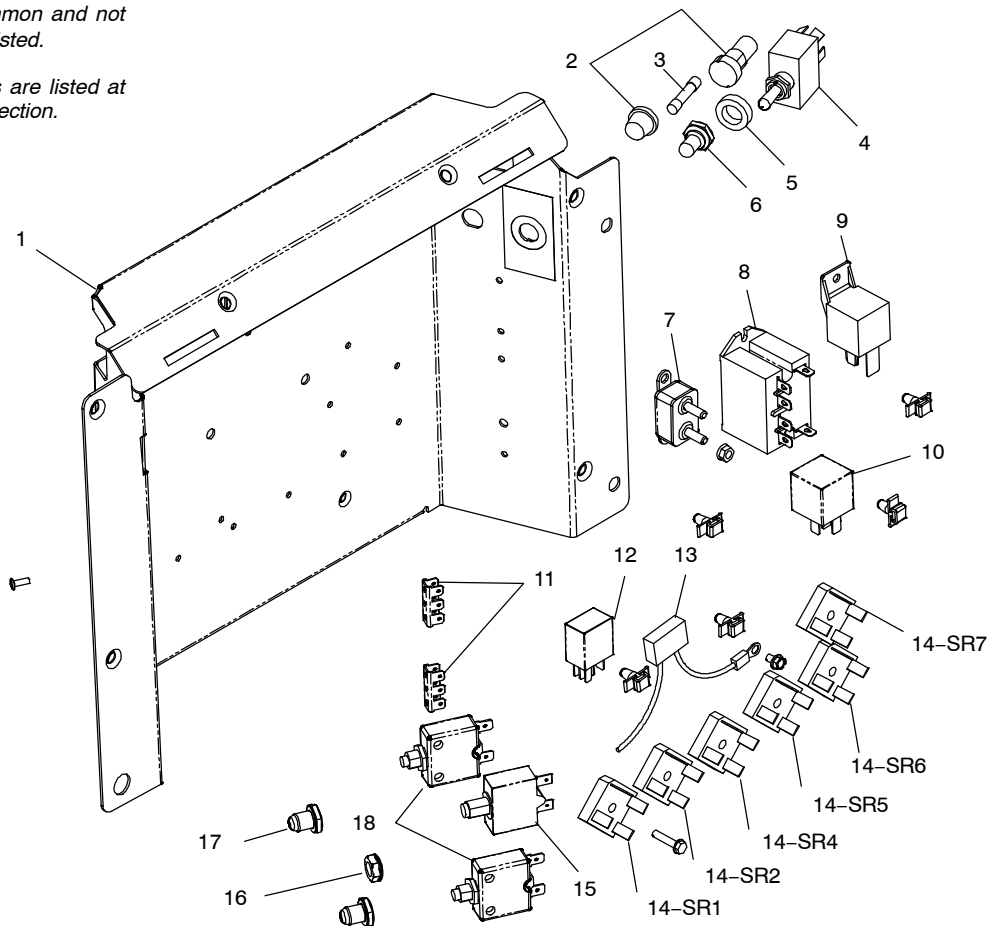
+ When ordering a component originally displaying a precautionary label, the label should also be ordered.

To maintain the factory original performance of your equipment, use only Manufacturer's Suggested Replacement Parts. Model and serial number required when ordering parts from your local distributor.

Eff w/Serial No. MD510140E And Following

☞ Hardware is common and not available unless listed.

Wiring harnesses are listed at the end of parts section.



266 241-A

Figure 13-6. CAT Control Panel

Item No.	Dia. Mkgs.	Part No.	Description	Quantity
----------	------------	----------	-------------	----------

Figure 13-6. CAT Control Panel (Figure 13-1 Item 7)

...	1	220981	Bracket, Mtg Components	1
...	2	256852	Holder, Fuse Mintr .250 X 1.250 Panel Mtg	1
...	3	F1 085874	Fuse, Mintr Cer Slo-blo 10. Amp 250 Volt	1
...	4	S5 028111	Switch, Tgl Dpst 20a 250v Spd Term	1
...	5	202209	Spacer, Nylon .805 Od X .510 Id X .220 Lg	1
...	6	021385	Boot, Toggle Switch Lever	1
...	7	CB1 190374	Circuit Breaker, Auto Reset 12vdc 40 Amp	1
...	8	CR1 223710	Relay, Encl 12vdc Dpst-no 25a 6pin Flange	1
...	9	CR3 197325	Relay, Encl 12vdc Spst 70a 4pin Flange Mtg	1
...	10	CR4 173069	Relay, Encl 12vdc Spdt 50a/30a 5pin Flange Mtg	1
...	11	129524	Term, Frict 250x032 Uninsul Male .130 Stud Mtg 3pr	2
...	12	CR2 252053	Relay, Encl 12vdc Spst 35a/14vdc 5 Pin	1
...	13	C14 265542	Capacitor, W/Terminals (.027uf)	1
...	14	SR1,2,4,5,6,7 035704	Rectifier, Integ Bridge 40. Amp 800v	6
...	15	CB9 230635	Supplementary Pro, Auto Reset 1p 8a 12vdc Frict	1
...	16	147195	Nut, 375-27 .54hex .25h Nyl Flange .62d	1
...	17	190323	Boot, Circuit Breaker Clear Hex Nut	2
...	18	CB2, CB3 083432	Supplementary Pro, Man Reset 1p 10a 250vac Frict	2

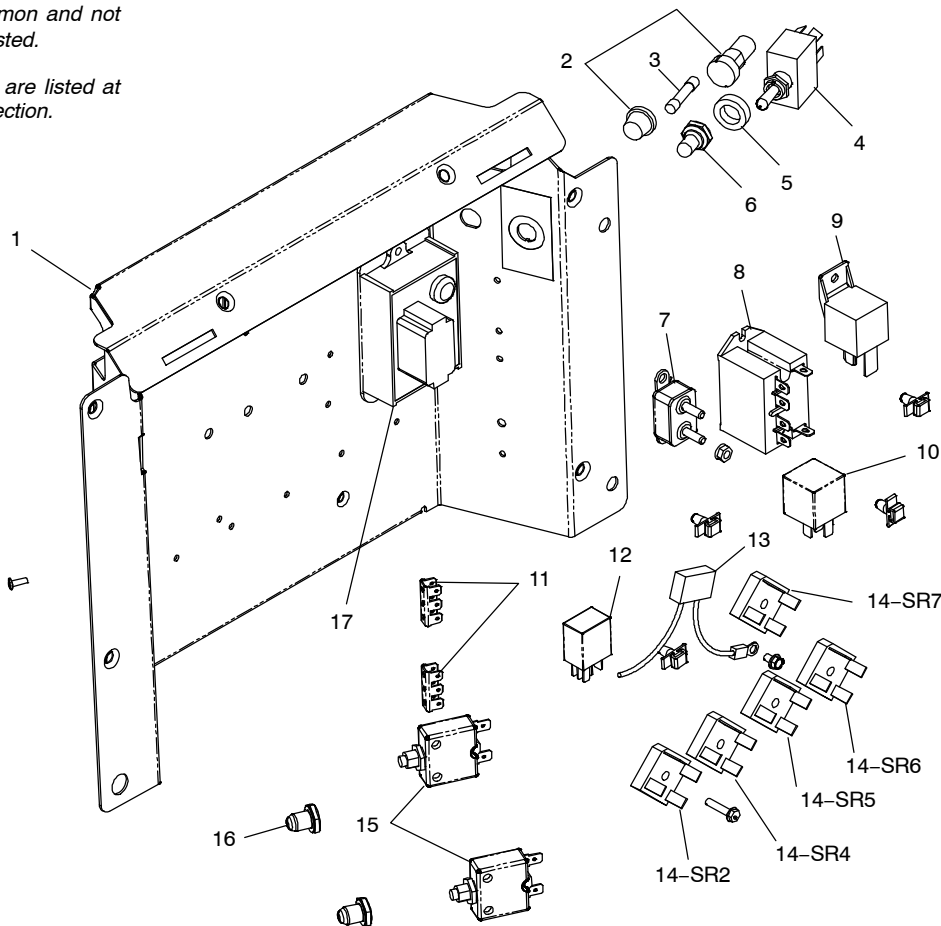
+ When ordering a component originally displaying a precautionary label, the label should also be ordered.

To maintain the factory original performance of your equipment, use only Manufacturer's Suggested Replacement Parts. Model and serial number required when ordering parts from your local distributor.

Eff w/Serial No. MD510140E And Following

☞ Hardware is common and not available unless listed.

Wiring harnesses are listed at the end of parts section.



265 834-A

Figure 13-7. Mitsubishi Control Panel

Item No.	Dia. Mkgs.	Part No.	Description	Quantity
----------	------------	----------	-------------	----------

Figure 13-7. Mitsubishi Control Panel (Figure 13-1 Item 7)

...	1	220981	Bracket, Mtg Components	1
...	2	256852	Holder, Fuse Mintr .250 X 1.250 Panel Mtg	1
...	3	F1 085874	Fuse, Mintr Cer Slo-blo 10. Amp 250 Volt	1
...	4	S5 028111	Switch, Tgl Dpst 20a 250v Spd Term	1
...	5	202209	Spacer, Nylon .805 Od X .510 Id X .220 Lg	1
...	6	021385	Boot, Toggle Switch Lever	1
...	7	CB1 190374	Circuit Breaker, Auto Reset 12vdc 40 Amp	1
...	8	CR1 223710	Relay, Encl 12vdc Dpst-no 25a 6pin Flange	1
...	9	CR3 197325	Relay, Encl 12vdc Spst 70a 4pin Flange Mtg	1
...	10	CR4 173069	Relay, Encl 12vdc Spdt 50a/30a 5pin Flange Mtg	1
...	11	129524	Term, Frict 250x032 Uninsul Male .130 Stud Mtg 3pr	2
...	12	CR2 252053	Relay, Encl 12vdc Spst 35a/14vdc 5 Pin	1
...	13	C14 265542	Capacitor, W/Terminals (.027uf)	1
...	14	SR2,4,5,6,7 035704	Rectifier, Integ Bridge 40. Amp 800v	5
...	15	CB2, CB3 083432	Supplementary Pro, Man Reset 1p 10a 250vac Frict	2
...	16	190323	Boot, Circuit Breaker Clear Hex Nut	2
...	17	266622	Module, Control Governor (Programmed)	1

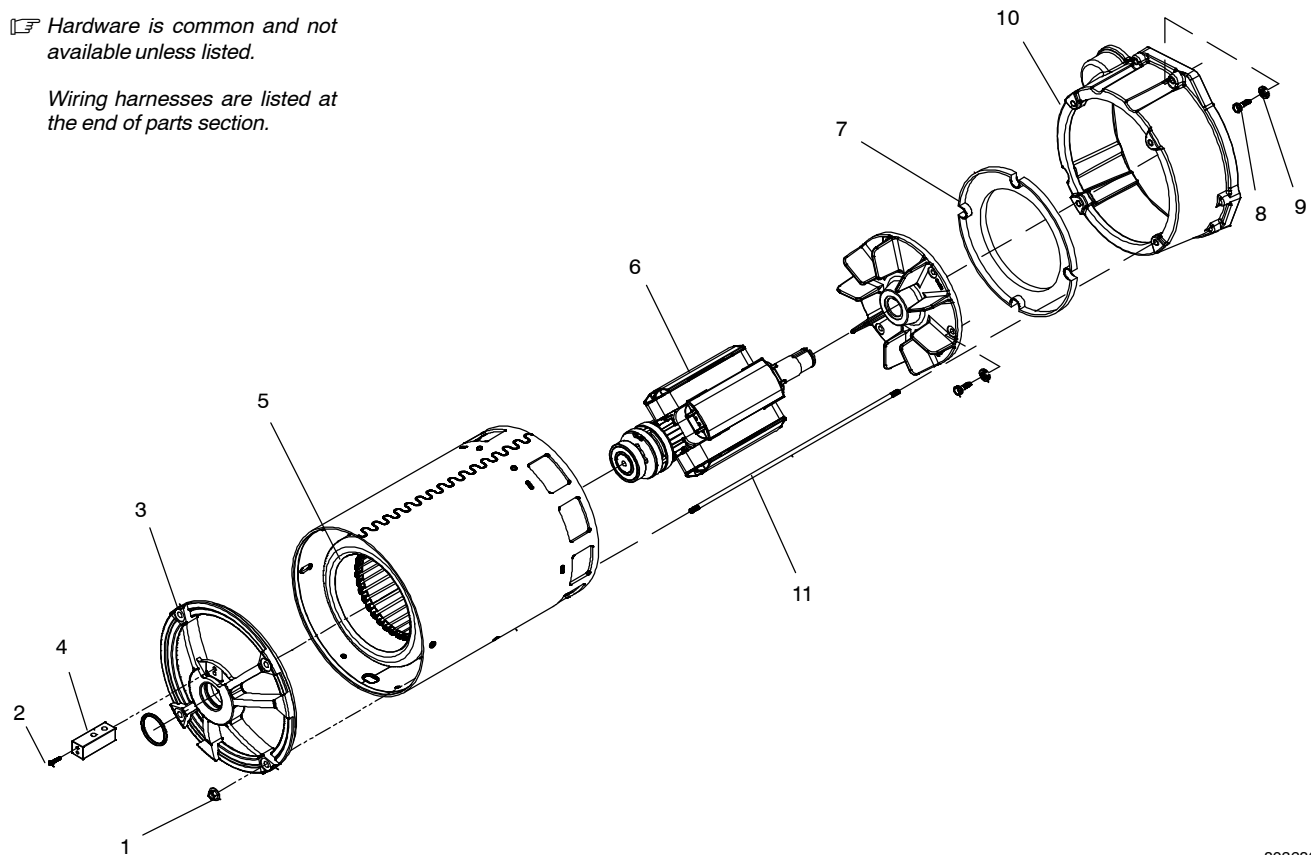
+ When ordering a component originally displaying a precautionary label, the label should also be ordered.

To maintain the factory original performance of your equipment, use only Manufacturer's Suggested Replacement Parts. Model and serial number required when ordering parts from your local distributor.

Eff w/Serial No. MD510140E And Following

☞ Hardware is common and not available unless listed.

Wiring harnesses are listed at the end of parts section.



803686-C

Figure 13-8. Generator

Item No.	Dia. Mkgs.	Part No.	Description	Quantity
----------	------------	----------	-------------	----------

Figure 13-8. Generator (Figure 13-1 Item 31)

...	1	167788	.. Nut, 375-16 .56hex .34h Stl Pld Sem Cone Wshr.88d	4
...	2	136343	.. Screw, K50x 20 Pan Hd-phl Stl Pld Pt Thread Forming	2
...	3	183336	.. Endbell (Includes)	1
...		183419	.. O-Ring, 1.984 Id X .139 Cs 70 Duro Viton	1
...	4	244290	.. Brushholder Assembly, Generator w/Leads	1
...	5	257085	.. Stator, Generator 4 Pole (Domestic)	1
...	5	254327	.. Stator, Generator 4 Pole (Export)	1
...	6	243820	.. Rotor, Generator 4 Pole (Prior To MF410057E) (Includes)	1
...	6	273688	.. Rotor, Generator 4 Pole (Eff w/MF410057E) (Includes)	1
...		181143	.. Bearing, Ball Rdl Sgl Row .984 X 2.047 X .591	1
...		192600	.. Fan, Generator	1
...	7	159918	.. Baffle, Fan	1
...	8	192686	.. Screw, M 8-1.25x 25 Hex Hd-pln 8.8 Pld Din933	6
...	9	602211	.. Washer, Lock .318idx0.586odx.078t Stl Pld Split.312	6
...		242537	.. Pickup, Magnetic (Mitsubishi)	1
...	10	193515	.. Adapter, Engine (Kubota shown)	1
...	10	241075	.. Adapter, Engine Machined Mitsubishi S4I2	1
...	10	212126	.. Adapter, Engine Machined Cat 3013c	1
...	11	212641	.. Stud, Stl .375-16 1.625x 19.000	4

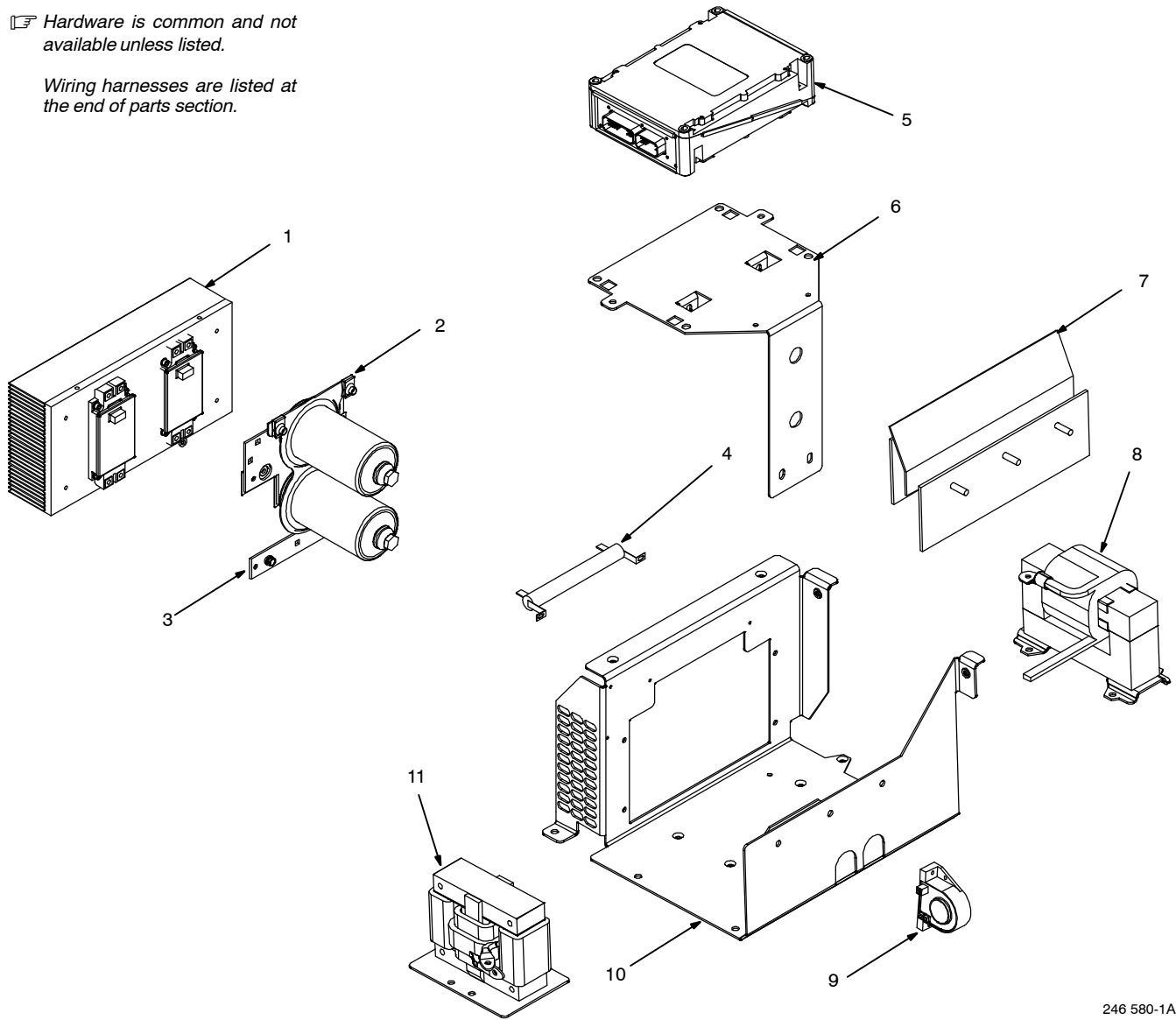
+ When ordering a component originally displaying a precautionary label, the label should also be ordered.

To maintain the factory original performance of your equipment, use only Manufacturer's Suggested Replacement Parts. Model and serial number required when ordering parts from your local distributor.

Eff w/Serial No. MD510140E And Following

☞ Hardware is common and not available unless listed.

Wiring harnesses are listed at the end of parts section.



246 580-1A

Figure 13-9. Weld Control Assembly

Item No.	Dia. Mkgs.	Part No.	Description	Quantity
Figure 13-9. Weld Control Assembly (Figure 13-1 Item 8)				
...	1 .. MOD1, 2 ..	247407 ..	Heat Sink, IGBT Ass'y	1
...	2	250590 ..	Kit, Capacitor/Bus Bar (Includes)	1
...	C1	262919	Capacitor/Bus Bar Ass'y,	2
...	...	251291	Hardware Kit,	1
...	3	245378 ..	Buss Bar, AC	1
...	4	R3	Resistor, Ww Fxd 00 W 200 Ohm W/Clips	1
...	5	PC1	Module, Main Control/IGBT Gating	1
...	6	245360 ..	Bracket, Mtg Vault	1
...	7	SR3	Rectifier, Si 3ph 300 Amp 400 Piv 100% Duty Cycle	1
...	8	Z1	Stabilizer	1
...	9	HD1	Transducer, Current 1000a Module Max Open Loop	1
...	10	245361 ..	Bracket, Mtg Components	1
...	11	T1	Xfmr,Control	1

To Maintain The Factory Original Performance Of Your Equipment, Use Only Manufacturer's Suggested Replacement Parts. Model And Serial Number Required When Ordering Parts From Your Local Distributor.

Eff w/Serial No. MD510140E And Following

☞ Some wiring harness components (switches, relays, supplementary protectors) are also referenced elsewhere in this parts list. Purchase components separately or as part of the associated wiring harness.

Item No.	Dia. Mkgs.	Part No.	Description	Quantity
Wiring Harnesses				
.....		264467	Harness, Engine Kubota 1505	1
.....		264468	Lead List, Small	1
.....	S4	021467	Switch, Tgl Spst 3A 250V Off-None-(On) Spd Term	1
.....	PLG409	177859	Conn, Body 5 Terminal	1
.....	PLG17	148850	Socket, Relay 5 Pin	1
.....	PLG1	214932	Conn, Rect Univ 039 8p/S 2row Plug Cable Lkg Seal	1
.....		214933	Seal, Wire Univ 039	8
.....	CR2	252053	Relay, Encl 12VDC Spst 35A/14VDC 5 Pin	1
.....	PLG30	192170	Conn, Rect 250 2skt 2row Plug Cable Lkg	1
.....	PLG20	192168	Conn, Rect 250 1pin 1row Rcpt Cable Lkg	1
.....		147711	Splice, Closed End 22-10 Wire Insulated White	1
.....		110465	Tubing, Corrugated Plastic Slit .500 Dia Xcoil	3.417
.....		110463	Tubing, Corrugated Plastic Slit .250 Dia Xcoil	1
.....		110466	Tubing, Corrugated Plastic Slit .625 Dia Xcoil	2.083
.....		200303	Cable Tie, .750-1.500 Bundle Dia Reel	20
.....		266262	Harness, Engine Mitsubishi S4I2	1
.....		266263	Lead List, Small	1
.....		247364	Harness, Governor Control	1
.....	S4	021467	Switch, Tgl Spst 3A 250V Off-None-(On) Spd Term	1
.....	PLG409	177859	Conn, Body 5 Terminal	1
.....	PLG17	148850	Socket, Relay 5 Pin	1
.....	PLG1	214932	Conn, Rect Univ 039 8p/S 2row Plug Cable Lkg Seal	1
.....		214933	Seal, Wire Univ 039	8
.....	CR2	252053	Relay, Encl 12VDC Spst 35A/14VDC 5 Pin	1
.....		246562	Boot, Switch	2
.....		147711	Splice, Closed End 22-10 Wire Insulated White	1
.....		110463	Tubing, Corrugated Plastic Slit .250 Dia Xcoil83
.....		110465	Tubing, Corrugated Plastic Slit .500 Dia Xcoil	3.67
.....		110466	Tubing, Corrugated Plastic Slit .625 Dia Xcoil	2.08
.....		200303	Cable Tie, .750-1.500 Bundle Dia Reel	22
.....		266264	Harness, Engine Cat C1.5	1
.....		266265	Lead List, Small	1
.....	S4	021467	Switch, Tgl Spst 3A 250V Off-None-(On) Spd Term	1
.....	PLG409	177859	Conn, Body 5 Terminal	1
.....	PLG17	148850	Socket, Relay 5 Pin	1
.....	PLG1	214932	Conn, Rect Univ 039 8p/S 2row Plug Cable Lkg Seal	1
.....		214933	Seal, Wire Univ 039	8
.....	CR2	252053	Relay, Encl 12VDC Spst 35A/14VDC 5 Pin	1
.....	PLG14-PLG16	212116	Conn, Deutsch 2p 1row Female Plug	3
.....		212117	Conn, Deutsch Wedge Lock 2 Position	3
.....		147711	Splice, Closed End 22-10 Wire Insulated White	1
.....		110465	Tubing, Corrugated Plastic Slit .500 Dia Xcoil	4.25
.....		110466	Tubing, Corrugated Plastic Slit .625 Dia Xcoil	1.875
.....		200303	Cable Tie, .750-1.500 Bundle Dia Reel	22

Miller Electric Mfg. Co.

An Illinois Tool Works Company
1635 West Spencer Street
Appleton, WI 54914 USA

International Headquarters-USA

USA Phone: 920-735-4505 Auto-Attended
USA & Canada FAX: 920-735-4134
International FAX: 920-735-4125

For International Locations Visit
www.MillerWelds.com

