

PARTS MANUAL



MODEL MQP240 60HZ GENERATOR (CUMMINS QSL9-G3 DIESEL ENGINE)

Revision #1 (02/10/17)

THIS MANUAL MUST ACCOMPANY THE EQUIPMENT AT ALL TIMES.

SUGGESTED SPARE PARTS

MQP240 GENERATOR WITH CUMMINGS QSL9-G3 DIESEL ENGINE

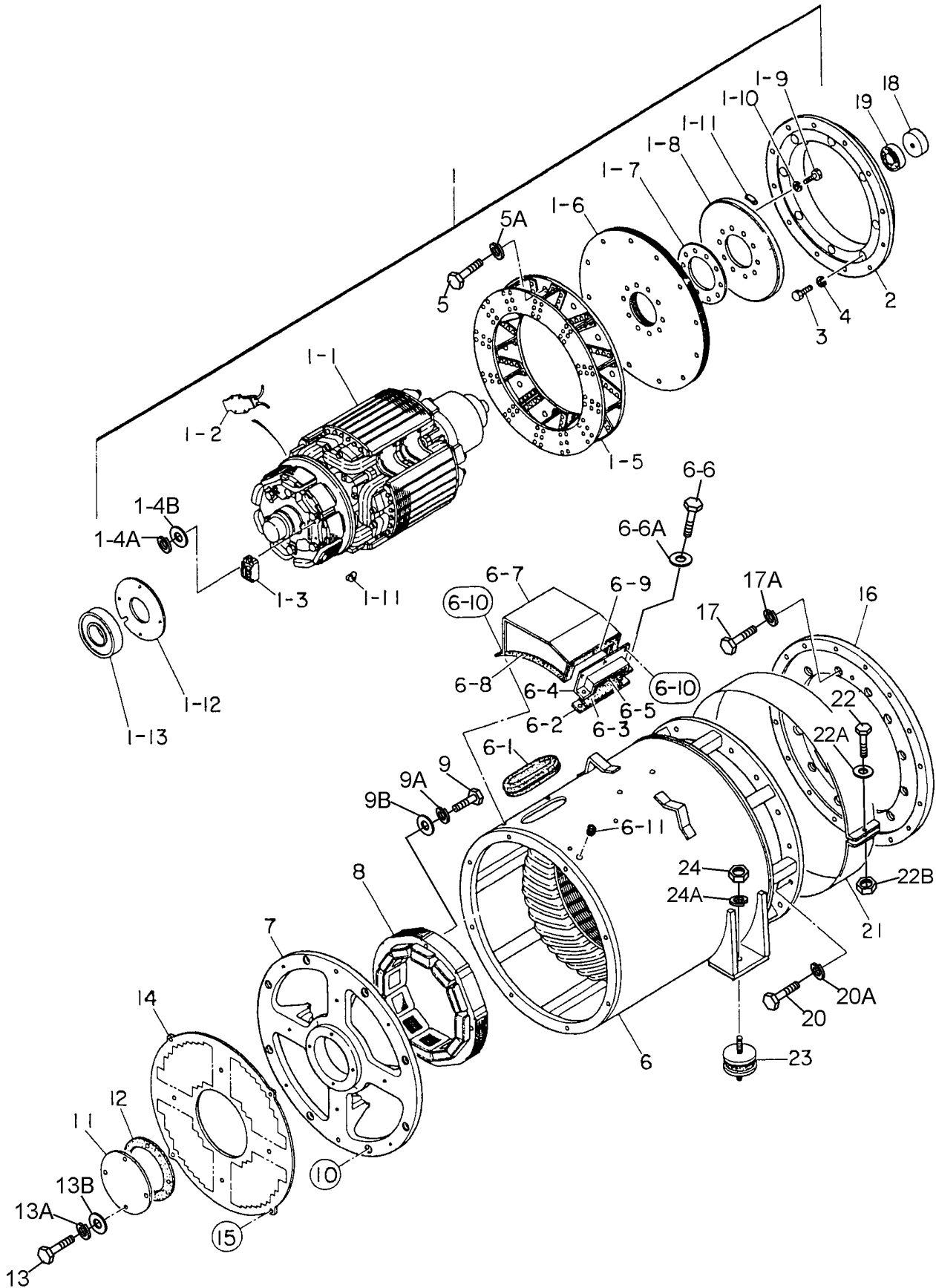
1 TO 3 UNITS

QTY.	P/N	DESCRIPTION
1.....	.0602015120.....	HOSE, RADIATOR UPPER ENGINE
1.....	.0602015121.....	HOSE, RADIATOR UPPER/LOWER
1.....	.0602015122.....	HOSE, RADIATOR LOWER
3.....	.0602015244.....	BELT, FAN
1.....	.4921744.....	SENSOR, OIL PRESSURE
1.....	.0602122272.....	OIL PRESSURE UNIT
1.....	.0602123261.....	WATER TEMPERATURE UNIT
1.....	.0602210189.....	WATER TEMP. SWITCH ENGINE
1.....	.0602123290.....	SWITCH, COOLANT LEVEL
6.....	.0602042588.....	FUEL FILTER CARTRIDGE
6.....	.0602042589.....	CARTRIDGE WATER SEPERATOR
6.....	.0602041224.....	FILTER, OIL CARTRIDGE
6.....	.0602045193.....	FILTER, COOLANT CARTRIDGE
3.....	.0602046638.....	ELEMENT AIR CLEANER OUTER
3.....	.0602046639.....	ELEMENT AIR CLEANER INNER
1.....	.0601808803.....	CIRCUIT BREAKER 1P 20A
1.....	.0601808804.....	CIRCUIT BREAKER 2P 50A
2.....	.LY2DUS24VDC	RELAY

NOTICE

Part number on this Suggested Spare Parts list may supersede/replace the P/N shown in the text pages of this book.

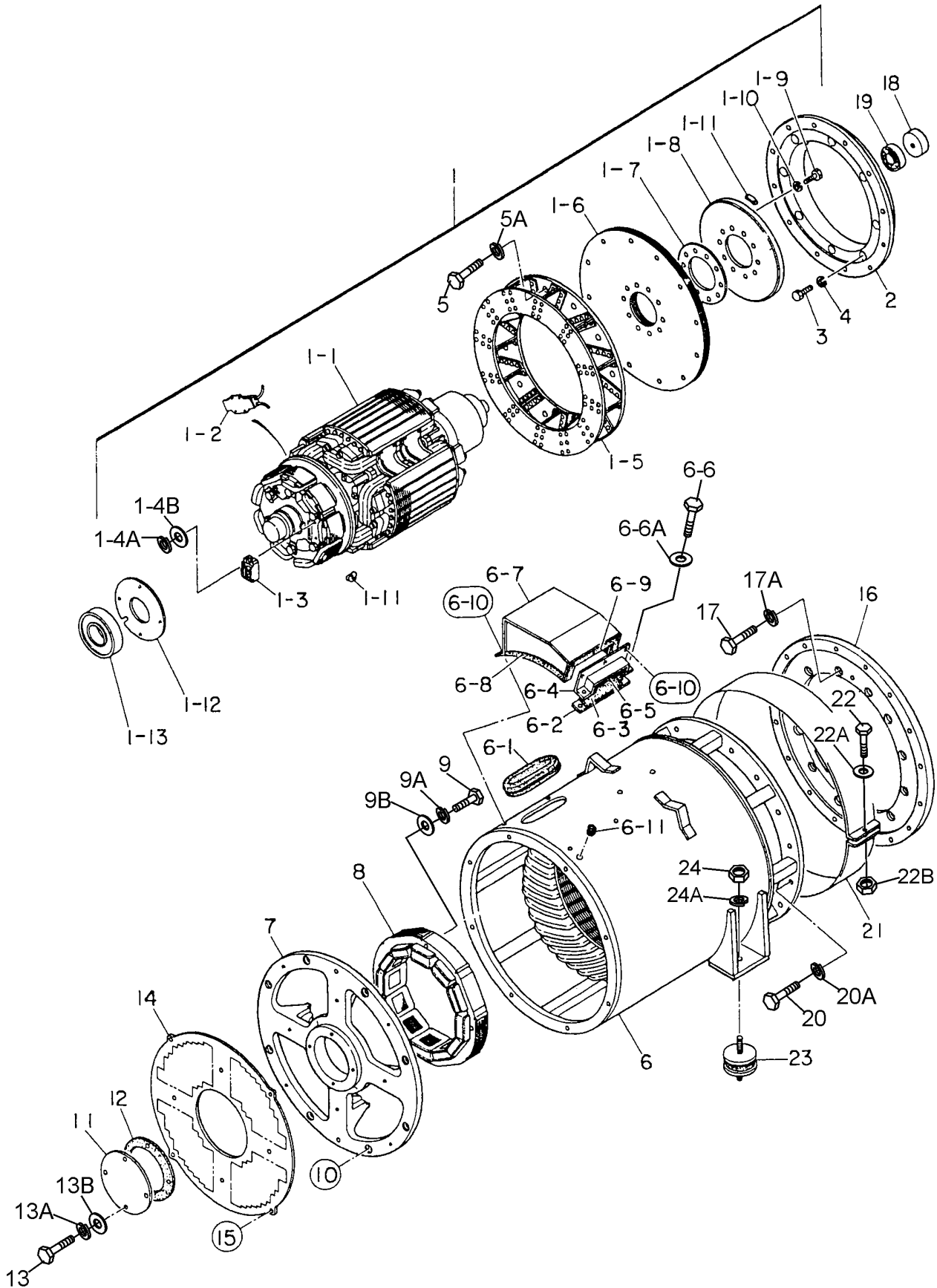
GENERATOR ASSY.



GENERATOR ASSY.

NO.	PART NO.	PART NAME	QTY.	REMARKS
1	C2110000002	ROTOR ASSY.....	1	INCLUDES ITEMS W/#
1-1#		FIELD ASSY	1	
1-2#	0601842402	RESISTOR, 80W 300Ω	2	
1-3#	0601823282	RECTIFIER	1	
1-4#	0018205020	HEX HD. CAP SCREW	2	
1-4A#	0040005000	WASHER, LOCK	2	
1-4B#	0041205000	WASHER, FLAT	2	
1-5#	8201070002	FAN	1	
1-6#	8201611004	COUPLING DISK	12	
1-7#	C3164200004	WASHER, COUPLING HUB	1	
1-8#	8201015003	BALANCING PLATE	1	PURCHASE ITEM 1-11 AS A SET
1-9#	0012116045	HEX HEAD BOLT	10	
1-10#	0042616000	WASHER, LOCK	10	
1-11#	0601000209	BALANCING WEIGHT KIT	1	
1-12#	C3112500004	BEARING FLANGE	1	
1-13#	0071906315	BEARING	1	
2	M5163400103	COUPLING RING	1	
3	0343206200	HEX HEAD BOLT	8	
4	0043606000	WASHER, LOCK	8	
5#	0010312040	HEX HEAD BOLT	12	
5A#	0042512000	WASHER, LOCK	12	
6	C2130100103	STATOR ASSY	1	
6-1	0226200430	RUBBER SEAL	1	
6-2	8201323004	CLAMPER	1	
6-3	0223300140	RUBBER SEAL	1	
6-4	8201323103	CLAMPER	1	
6-5	0221200350	RUBBER SEAL	1	
6-6	0010110035	HEX HEAD BOLT	2	
6-6A	0041210000	WASHER, FLAT	2	
6-7	C2132200003	COVER	1	
6-8	0226000275	RUBBER SEAL	2	
6-9	0225000500	RUBBER SEAL	1	
6-10	0017106016	HEX HEAD BOLT	6	
6-11	0601850144	GROMMET	1	
7	C3154000002	END BRACKET	1	
8	C3138000003	FIELD ASSY, EXCITER	1	
9	0012110080	HEX HEAD BOLT	4	
9 A	0042610000	WASHER, LOCK	4	
9 B	0041210000	WASHER, FLAT	4	
10	0017112045	HEX HEAD BOLT	8	
11	C3154300104	COVER, BEARING	1	
12	C3154300004	GASKET, BEARING	1	
13	0010106060	HEX HEAD BOLT	4	
13A	0040006000	WASHER, LOCK	4	
13B	0041206000	WASHER, FLAT	4	

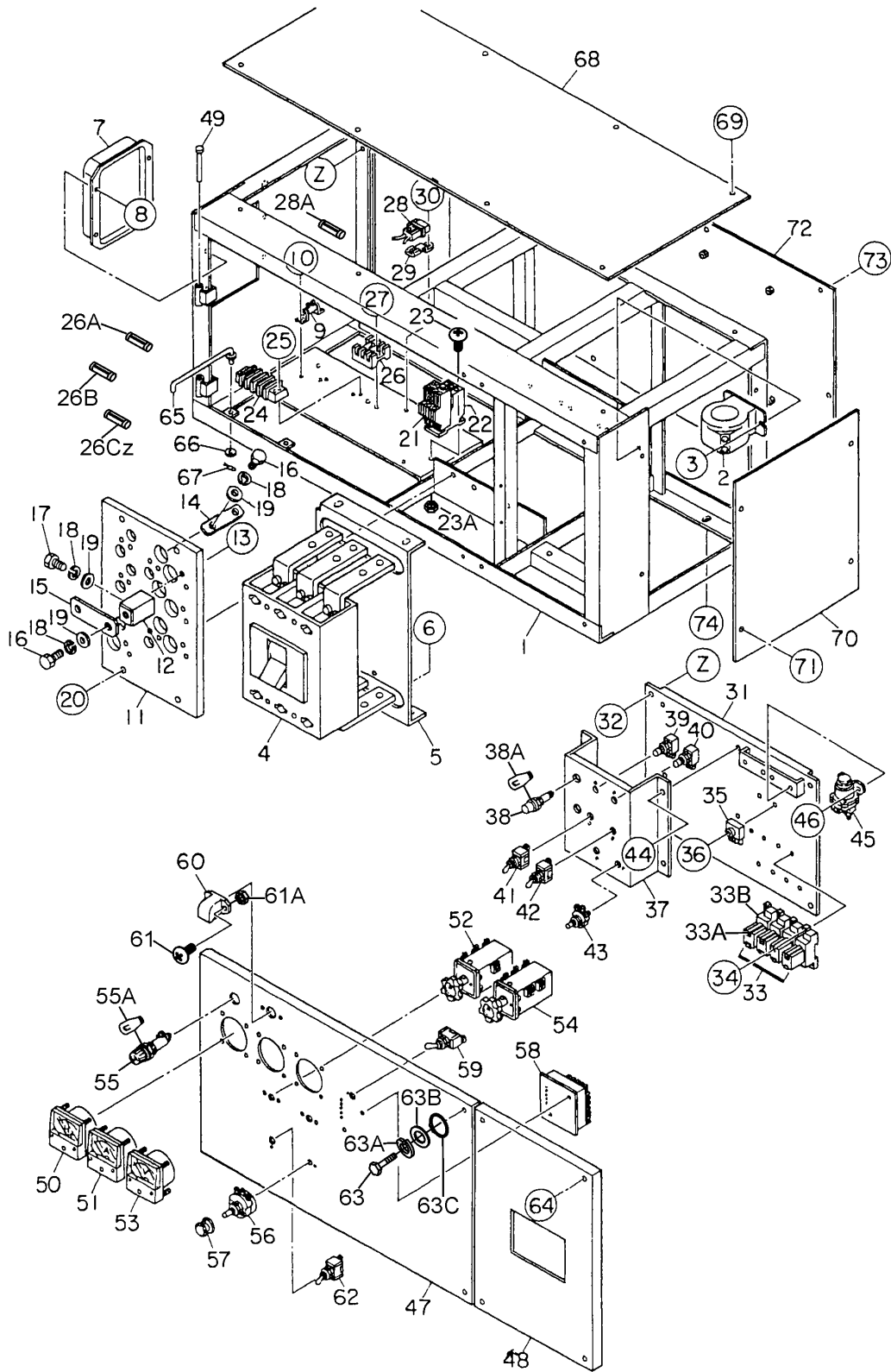
GENERATOR ASSY. (CONTINUED)



GENERATOR ASSY. (CONTINUED)

<u>NO.</u>	<u>PART NO.</u>	<u>PART NAME</u>	<u>QTY.</u>	<u>REMARKS</u>
14	C3154400003	SUCTION COVER	1	
15	0017106015	HEX HEAD BOLT	8	
16	C3164600103	COUPLING ADAPTER	1	
17	0010310030	HEX HEAD BOLT	12	
17A	0042510000	WASHER, LOCK	12	
18	C2163700004	SPACER, BEARING	1	
19	0070506208	BEARING, 6208ZZ	1	
20	0010312040	HEX HEAD BOLT	16	
20A	0042512000	WASHER, LOCK	16	
21	C3132300014	COVER, FAN	1	
22	0010106030	HEX HEAD BOLT	1	
22A	0041206000	WASHER, FLAT	1	
22B	0600815000	NUT	1	
23	0605000012	RUBBER SUSPENSION	2	
24	0030020000	HEX NUT	4	
24A	0040020000	WASHER, LOCK	4	

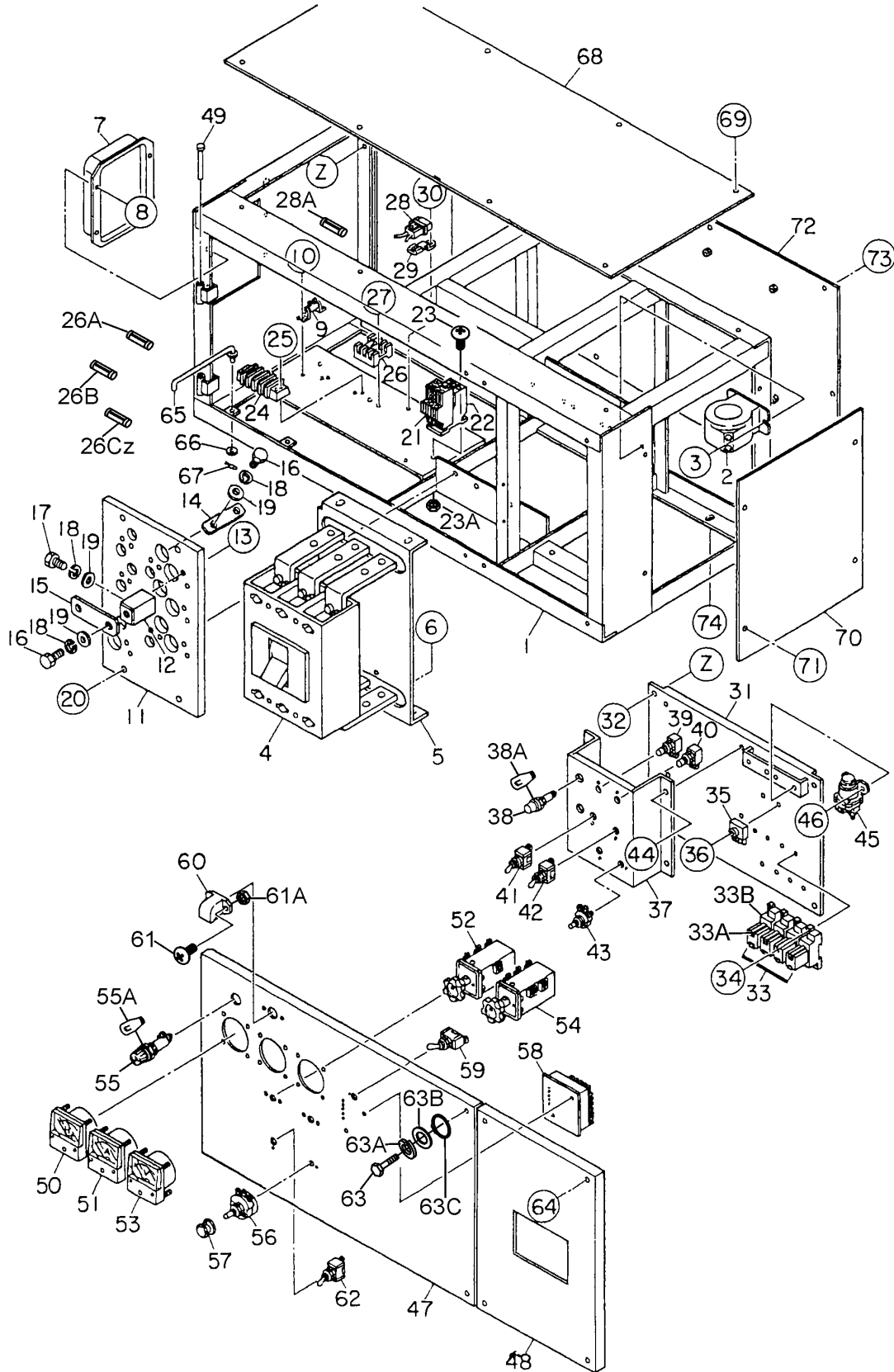
CONTROL BOX ASSY.



CONTROL BOX ASSY.

<u>NO.</u>	<u>PART NO.</u>	<u>PART NAME</u>	<u>QTY.</u>	<u>REMARKS</u>
1	M5213000002	CONTROL BOX	1	
2	0601809659	CURRENT TRANSFORMER	3	
3	0027106015	MACHINE SCREW	6	
4	0601807519	CIRCUIT BREAKER, 800A	1	
4-1	0601827410	BUS BAR	1	
5	5261600004	BRACKET, CIRCUIT BREAKER	1	
6	0017108020	HEX HEAD BOLT	4	
7	0601820604	AUTOMATIC VOLTAGE REGULATOR	1	
8	0027106015	MACHINE SCREW	4	
9	0601842468	RESISTOR, 5W 150 OHM	1	
10	0027103010	MACHINE SCREW	2	
11	C2274000103	CHANGE- OVER BOARD, VOLTAGE	1	
12	8201852104	CHANGE TERMINAL	10	
13	0017108030	HEX HEAD BOLT	20	
14	C2277200004	TERMINAL PLATE	3	
15	8201853104	CHARGE PLATE	6	
16	8201852504	HEX HEAD BOLT	13	
17	0801830704	HEX HEAD BOLT	13	
18	0040012000	WASHER, LOCK	26	
19	0041412000	WASHER, FLAT	26	
20	0017110030	HEX HEAD BOLT	4	
21	0601820847	OVER CURRENT RELAY	1	
22	0601820840	OVER CURRENT RELAY	1	
23	0027104016	MACHINE SCREW	2	
23A	0207004000	HEX NUT	2	
24	0601815153	TERMINAL BOARD	1	
25	0027104016	MACHINE SCREW	2	
26	0601802218	HOLDER, FUSE	1	
26A	0601802149	FUSE (LEFT SIDE), 10A	1	
26B	0601802131	FUSE (CENTER), 1A	1	
26C	0601802133	FUSE (RIGHT), 5A	1	
27	0027103020	MACHINE SCREW	2	
28	C3358201704	FUSE HOLDER ASSY	1	
28A	0601806644	FUSE, 30A	1	
29	0601802410	BRACKET, FUSE HOLDER	1	
30	0017106016	HEX HEAD BOLT	1	
31	M5260500003	SET PANEL , ELECTRIC PARTS	1	
32	0017108020	HEX HEAD BOLT	4	
33	LY2DUS24V	RELAY	4	REPLACES P/N 0601827655
33A	PTF08A	SOCKET	4	REPLACES P/N 0601823109
33B	PYCA1	HOLDER.....	4	REPLACES P/N 0601824400
34	0027104020	MACHINE SCREW	8	
35	0601823240	RECTIFIER	2	
36	0027104020	MACHINE SCREW	2	
37	M5260500204	BRACKET	1	
38	0602103090	DIAGNOSTIC LAMP	2	
36	0027104020	MACHINE SCREW	2	

CONTROL BOX ASSY. (CONTINUED)



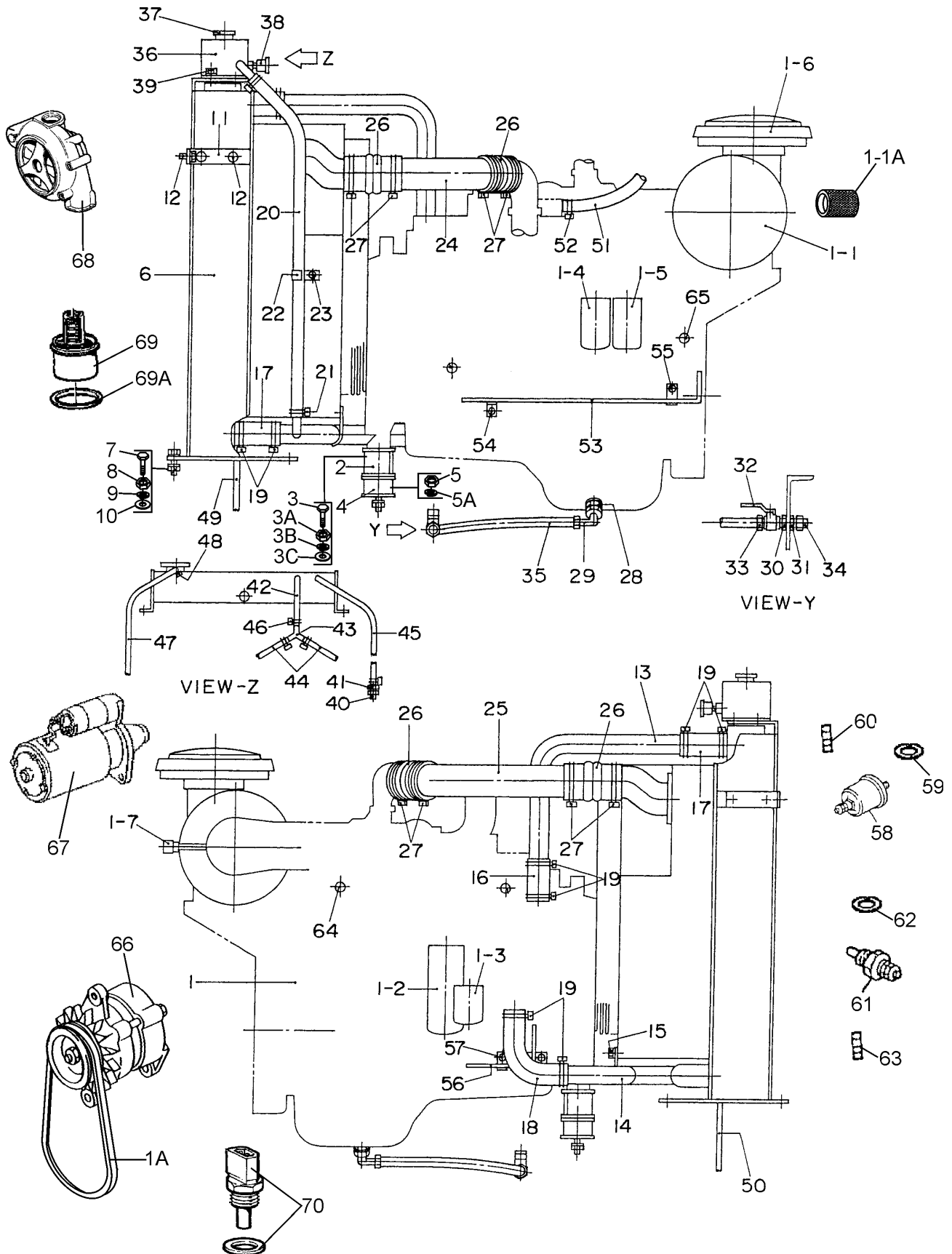
CONTROL BOX ASSY. (CONTINUED)

<u>NO.</u>	<u>PART NO.</u>	<u>PART NAME</u>	<u>QTY.</u>	<u>REMARKS</u>
37	M5260500204	BRACKET	1	
38	0602103090	DIAGNOSTIC LAMP	2	
38A	0601810244	BULB, DC28V	2	
39	0601831670	DIAGNOSTIC BUTTON	1	
40	0601831205	RESET BUTTON	1	
41	0601830746	LOW IDLE SPEED SWITCH	1	
42	0601830710	DIAGNOSTIC SWITCH	1	
43	0601840009	RHEOSTAT, 2W 5k OHM	1	
44	0017106016	HEX HEAD BOLT	4	
45	0602201455	RELAY, HEATER	1	
46	0017106016	HEX HEAD BOLT	2	
47	C2224000503	CONTROL PANEL	1	
48	C2224001504	CONTROL PANEL	1	
49	0605011211	PIN	2	
50	0601807622	FREQUENCY METER, 45~65Hz 220V	1	
51	0601806979	AC AMMETER, 0~1000A	1	
52	0601801040	CHANGE- OVER SWITCH, AMMETER	1	
53	0601806887	AC VOLTMETER, 0~600V	1	
54	0601801041	CHANGE- OVER SWITCH, VOLTMETER	1	
55	0601810072	PILOT LAMP	1	
55A	0601810261	BULB, 13W	1	
56	0601840073	RHEOSTAT (VR), 2W 1K OHM	1	
57	0601840121	KNOB	1	
58	ECU9988N220V	ENGINE CONTROLLER.....	1	REPLACES P/N 0602202545
59	0601830765	SWITCH	1	
60	0601810171	PANEL LIGHT, DC24V	1	
61	0027104020	MACHINE SCREW	2	
61A	0207004000	HEX NUT	2	
62	0601830710	SWITCH, PANEL LIGHT	1	
63	C9221100004	HEX HEAD BOLT	2	
63A	0040008000	WASHER, LOCK	2	
63B	0041208000	WASHER, FLAT	2	
63C	0080200007	SNAP RING	2	
64	0017108040	HEX HEAD BOLT	4	
65	3871824004	STOPPER, CONTROL PANEL	1	
66	0041206000	WASHER, FLAT	1	
67	0605010502	SNAP PIN	1	
68	C2214500004	COVER, CONTROL BOX	1	
69	0017108020	HEX HEAD BOLT	8	
70	C2214300004	SIDE PANEL, CONTROL BOX	1	
71	0017108020	HEX HEAD BOLT	4	
72	C2214400504	PANEL, CONTROL BOX	1	
73	0017108020	HEX HEAD BOLT	9	
74	0017110025	HEX HEAD BOLT	4	

ENGINE AND RADIATOR ASSY.

<u>NO.</u>	<u>PART NO.</u>	<u>PART NAME</u>	<u>QTY.</u>	<u>REMARKS</u>
1	EE56548	ENGINE, QSL9-G3	1	
1A	0602015244	BELT, FAN	1	
1-1	0602046638	ELEMENT, AIR CLEANER (OUTER)	1	
1-1A	0602046639	ELEMENT, AIR CLEANER (INNER)	1	
1-2	0602041224	CARTRIDGE, OIL FILTER	1	
1-3	0602045193	CARTRIDGE, COOLANT FILTER	1	
1-4	0602042588	CARTRIDGE, FUEL FILTER	1	
1-5	0602042589	CARTRIDGE, FUEL WATER SEPARATOR	1	
1-6	0602040759	CAP, AIR CLEANER	1	
1-7	0602040679	DUST SENSOR	1	
2	M5303200004	ENGINE FOOT	1	
3	0010118050	HEX HEAD BOLT	2	
3A	0030018000	HEX NUT	2	
3B	0040018000	WASHER, LOCK	2	
3C	0041218000	WASHER, FLAT	4	
4	0605000011	RUBBER SUSPENSION	2	
5	0030016000	HEX NUT	4	
5A	0040016000	WASHER, LOCK	4	
6	0602012737	RADIATOR / INTERCOOLER	1	
7	0010116050	HEX HEAD BOLT	4	
8	0030016000	HEX NUT	4	
9	0040016000	WASHER, LOCK	4	
10	0041216000	WASHER, FLAT	8	
11	M5310200204	BRACKET, RADIATOR	2	
12	0017112025	HEX HEAD BOLT	6	
13	0602013260	RADIATOR PIPE	1	
14	0602014820	RADIATOR PIPE	1	
15	0602011500	HEX HEAD BOLT	2	
16	0602015120	RADIATOR HOSE, UPPER ENGINE	1	
17	0602015121	RADIATOR HOSE, UPPER/LOWER RAD.	2	
18	0602015122	RADIATOR HOSE, LOWER	1	
19	0602015301	HOSE BAND	16	
20	0602015123	RADIATOR HOSE	1	
21	0602015302	HOSE BAND	2	
22	0602015410	CLAMP	1	
23	0602011500	HEX HEAD BOLT	1	
24	0602014821	INTER-COOLER PIPE	1	
25	0602013261	INTER-COOLER PIPE	1	
26	0602015124	INTER-COOLER PIPE	4	
27	0602015303	HOSE BAND	8	
28	0602022563	ADAPTER	1	
29	0602022561	90 DEGREE ELBOW	1	
30	0603306590	CONNECTOR	1	
31	0603300285	LOCKNUT	1	
32	0605511395	VALVE	1	

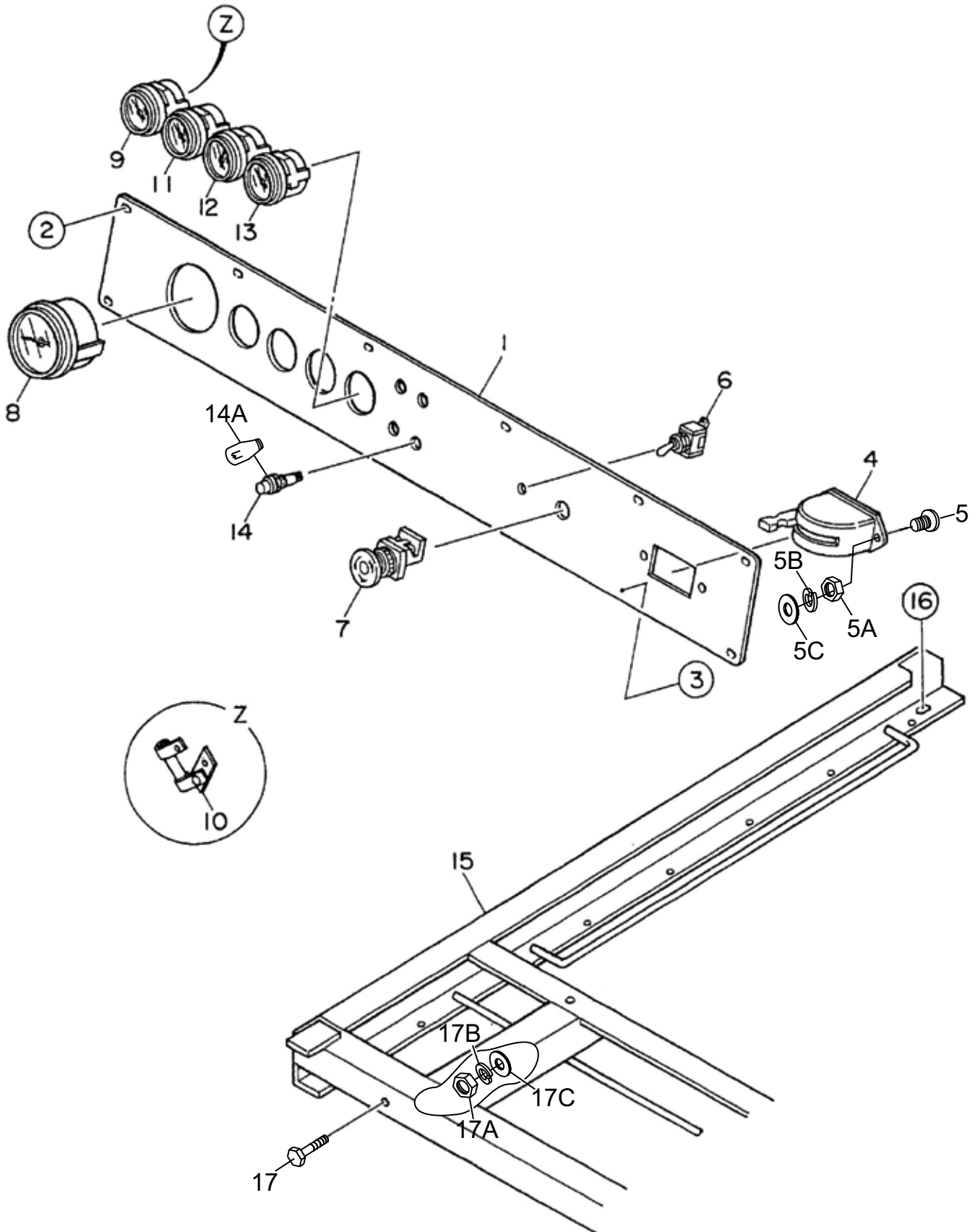
ENGINE AND RADIATOR ASSY. (CONTINUED)



ENGINE AND RADIATOR ASSY. (CONTINUED)

<u>NO.</u>	<u>PART NO.</u>	<u>PART NAME</u>	<u>QTY.</u>	<u>REMARKS</u>
33	0603306395	HOSE JOINT	1	
34	0602021070	CAP	1	
35	0269200800	DRAIN HOSE	1	
36	0602010220	RESERVER TANK	1	
37	0602011023	CAP	1	
38	813NLU0000T	COOLANT LEVEL SWITCH	1	
39	0016910025	HEX HEAD BOLT	4	
40	0602015500	BUSHING	1	
41	0602013497	HOSE JOINT	1	
42	0602014110	HOSE (L=250)	1	
43	0602013498	JOINT	1	
44	0602014110	HOSE (L=325)	2	
45	0602014110	HOSE (L=1100)	1	
46	0602015300	HOSE BAND	8	
47	0193601800	HOSE	1	
48	0605515106	HOSE BAND	1	
49	0193601100	HOSE	1	
50	0193600550	HOSE	1	
51	0269501850	HOSE	1	
52	0605515149	HOSE BAND	2	
53	M5357300003	CLAMPER ROD	1	
54	0017112025	HEX HEAD BOLT	1	
55	0017116030	HEX HEAD BOLT	1	
56	C2357300104	CLAMPER ROD	1	
57	0017112025	HEX HEAD BOLT	2	
58	0602122272	OIL PRESSURE UNIT	1	
59	M9200101504	ADAPTER	1	
60	M9200001104	PACKING	1	
61	0602123261	WATER TEMPERATURE UNIT	1	
62	0602015501	ADAPTER		
63	9095720140	PACKING	1	REPLACES 0602021109
64	0602210189	WATER TEMPERATURE SWITCH	1	
65	0602120481	PICK- UP TACHOMETER	1	
66	4993343	ALTERNATOR	1	
67	3102763	STARTER	1	
68	3973114	WATER PUMP	1	
69	3940632	THERMOSTAT W/O	1	
69A	3945603	GASKET, THERMOSTAT	1	
70	4921744	SENSOR, OIL PRESSURE	1	

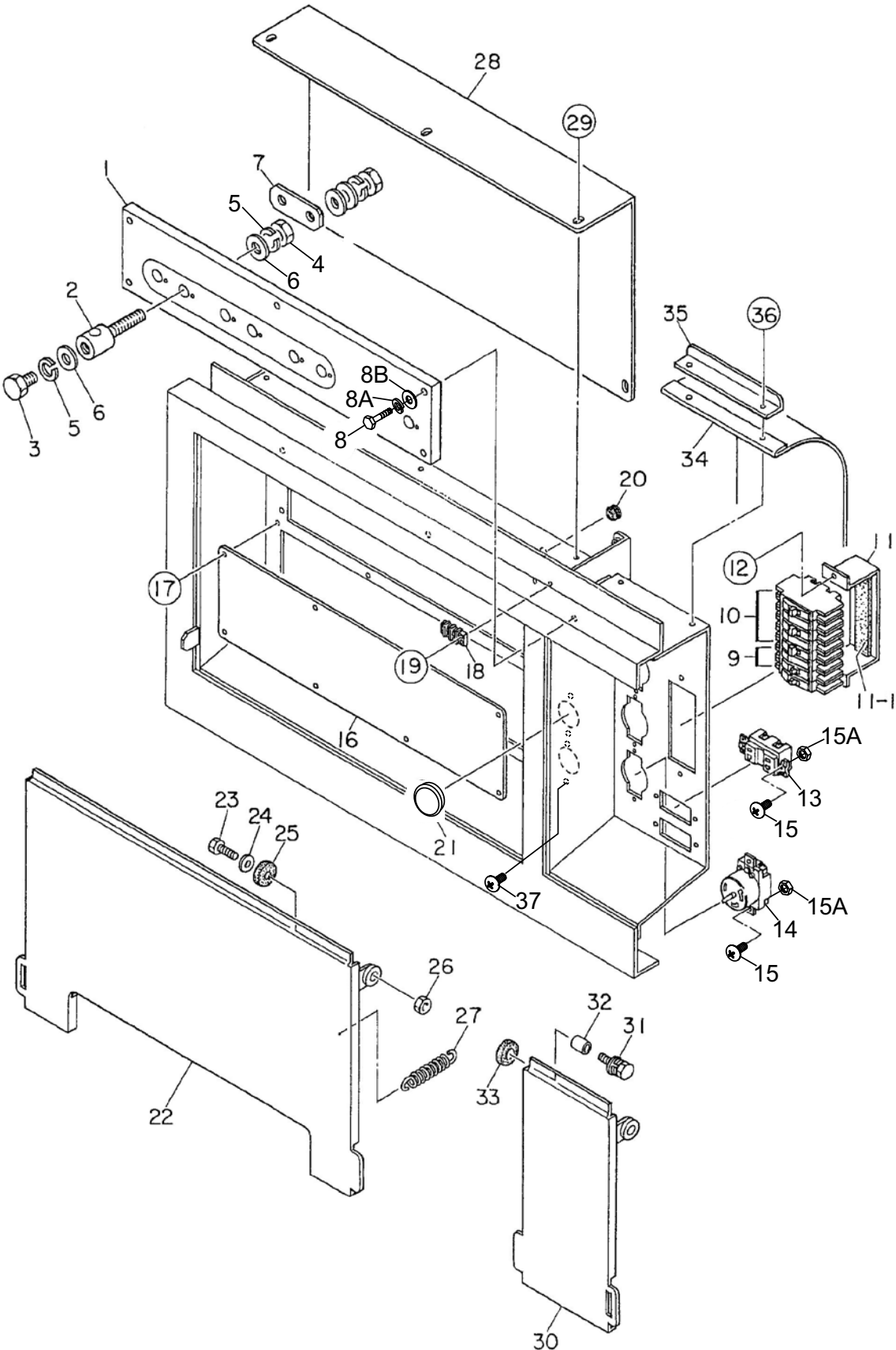
ENGINE OPERATING PANEL ASSY.



ENGINE OPERATING PANEL ASSY.

<u>NO.</u>	<u>PART NO.</u>	<u>PART NAME</u>	<u>QTY.</u>	<u>REMARKS</u>
1	M5351100003	OPERATING PANEL	1	
2	0017106016	HEX HEAD BOLT	8	
3	0207006000	HEX NUT	4	
4	0602101000	BATTERY SWITCH	1	
5	0021008080	MACHINE SCREW	2	
5A	0030004000	HEX NUT	2	
5B	0040008000	WASHER, LOCK	2	
5C	0041608000	WASHER, FLAT	2	
6	0601830710	ENGINE SPEED SWITCH	1	
7	0601831557	EMERGENCY STOP BUTTON	1	
8	0602120095	TACHOMETER	1	
9	0602122093	OIL PRESSURE GAUGE	1	
10	0601842450	VOLTAGE DIVIDER	1	
11	0602123092	WATER TEMPERATURE GAUGE	1	
12	0602121081	CHARGING AMMETER	1	
13	0602125091	FUEL GAUGE	1	
14	0602103090	ALARM LAMP	4	
14A	0601810244	BULB, DC28V	4	
15	M5483000003	SET FRAME	1	
16	0016910030	HEX HEAD BOLT	2	
17	0017110030	HEX HEAD BOLT	3	
17A	0030010000	HEX NUT	3	
17B	0040010000	WASHER, LOCK	3	
17C	0041610000	WASHER, FLAT	6	

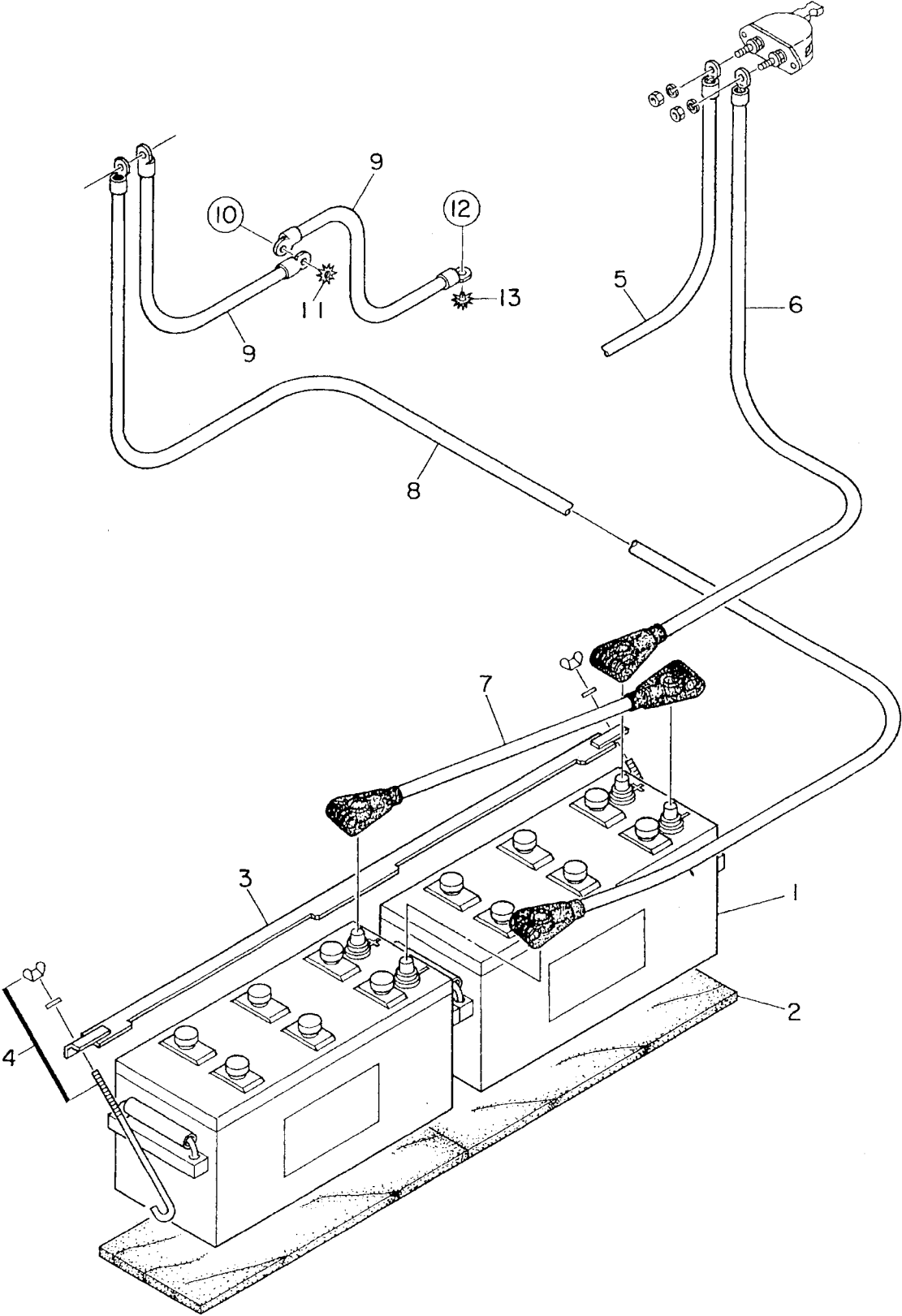
OUTPUT TERMINAL ASSY.



OUTPUT TERMINAL ASSY.

<u>NO.</u>	<u>PART NO.</u>	<u>PART NAME</u>	<u>QTY.</u>	<u>REMARKS</u>
1	M5230700003	SET BOARD, OUTPUT TERMINAL	1	
2	M9220100914	OUTPUT TERMINAL	8	
3	9220101004	HEX HEAD BOLT	8	
4	0039320000	HEX NUT	16	
5	0040020000	WASHER, LOCK	24	
6	0041420000	WASHER, FLAT	32	
7	M5233200004	TERMINAL PLATE	3	
8	0019110050	HEX HEAD BOLT	5	
8A	0042310000	WASHER, LOCK	5	
8B	0042410000	WASHER, FLAT	5	
9	0601808803	CIRCUIT BREAKER, 1P 20A	2	
10	0601808804	CIRCUIT BREAKER, 2P 50A	3	
11	M4260600104	BRACKET, CIRCUIT BREAKER	1	
11-1	0221200150	RUBBER CUSHION	1	
12	0019206020	HEX HEAD BOLT	2	
13	0601814013	RECEPTACLE	2	
14	0601811034	RECEPTACLE, CS6369	3	
15	0025304016	MACHINE SCREW	10	
15A	0207004000	HEX NUT	10	
16	M4236400204	COVER	1	
17	0016906016	HEX HEAD BOLT	8	
18	0601815194	TERMINAL BOARD	1	
19	7538070	MACHINE SCREW	2	
20	0601850275	GROMMET	1	
21	0603306775	BLIND PLUG	2	
22	M5236100003	COVER, OUTPUT TERMINAL	1	
23	0019112045	HEX HEAD BOLT	2	
24	0042412000	WASHER, FLAT	4	
25	M9310200004	STAY RUBBER	2	
26	0205012000	HEX NUT	2	
27	M9210000204	SPRING	2	
28	M5236100204	COVER	1	
29	0016908020	HEX HEAD BOLT	7	
30	M5236100104	COVER, OUTPUT TERMINAL	1	
31	014210040	HEX HEAD BOLT	2	
32	M9116000004	COLLAR	2	
33	M9310200004	STAY RUBBER	1	
34	M4236100604	COVER	1	
35	M4236400304	BRACKET	1	
36	0016906016	HEX HEAD BOLT	2	
37	7538070	MACHINE SCREW	4	

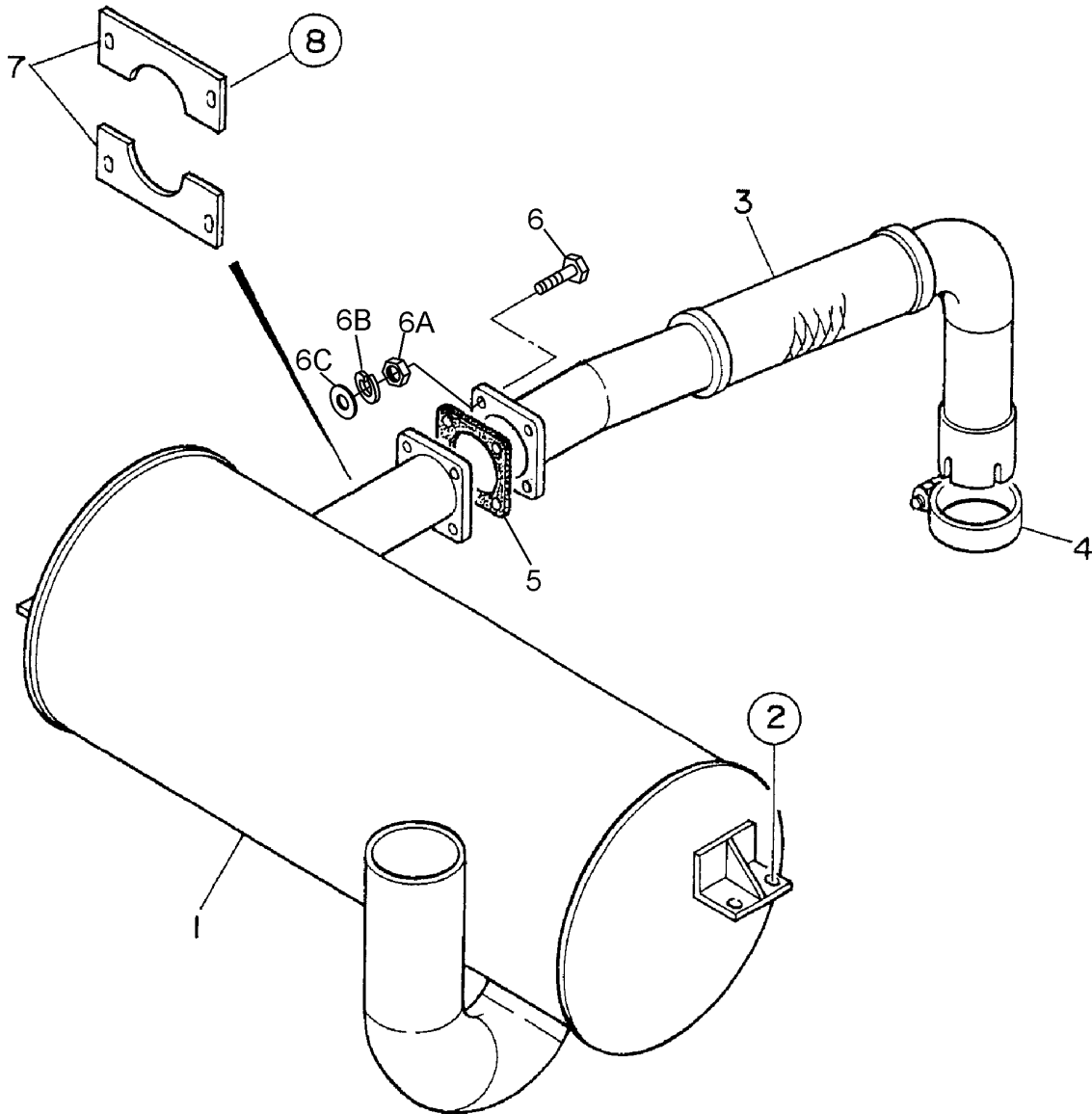
BATTERY ASSY.



BATTERY ASSY.

<u>NO.</u>	<u>PART NO.</u>	<u>PART NAME</u>	<u>QTY.</u>	<u>REMARKS</u>
1	0602220196	BATTERY	2	
2	M9310500404	BATTERY SHEET	2	
3	M9104000004	BATTERY BAND	1	
4	0602220921	BATTERY BOLT SET	2	
5	M5346900404	BATTERY CABLE	1	
6	M5347900104	BATTERY CABLE	1	
7	M4346400314	BATTERY CABLE	1	
8	M5346900504	BATTERY CABLE	1	
9	M5346200104	EARTH CABLE	2	
10	0017116030	HEX HEAD BOLT	1	
11	0040516000	TOOTHED WASHER	1	
12	0017112025	HEX HEAD BOLT	1	
13	0040512000	TOOTHED WASHER	1	

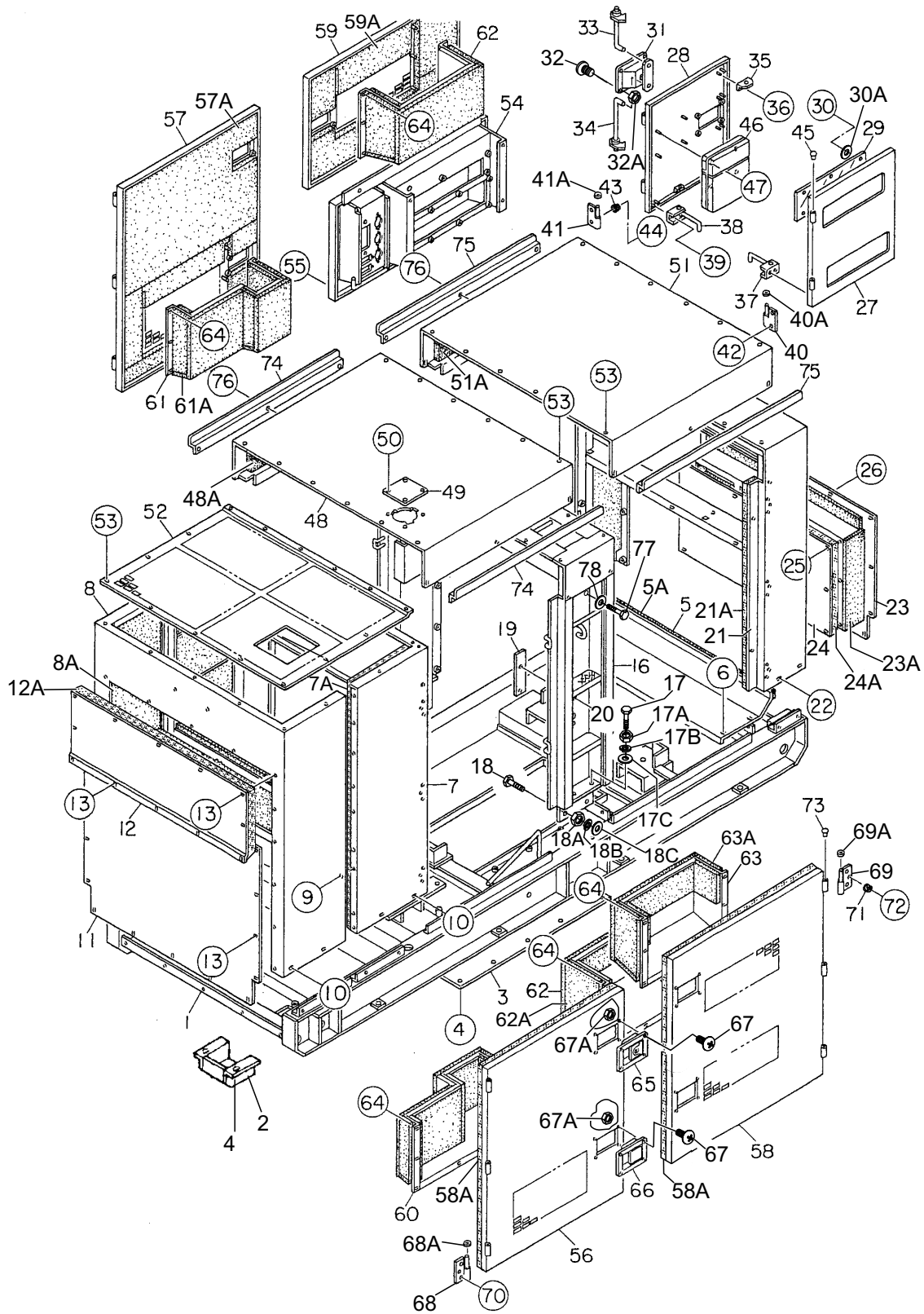
MUFFLER ASSY.



MUFFLER ASSY.

<u>NO.</u>	<u>PART NO.</u>	<u>PART NAME</u>	<u>QTY.</u>	<u>REMARKS</u>
1	M5330100102	MUFFLER	1	
2	0019210025	HEX HEAD BOLT	4	
3	M5333000003	EXHAUST PIPE	1	
4	0602325066	BEND BOLT CLAMP	1	
5	M4333200004	GASKET	1	
6	0010312055	HEX HEAD BOLT	4	
6A	0030312000	HEX NUT	4	
6B	0042512000	WASHER, LOCK	4	
6C	0041612000	WASHER, FLAT	8	
7	M5331300004	COVER	2	
8	0017108020	HEX HEAD BOLT	4	

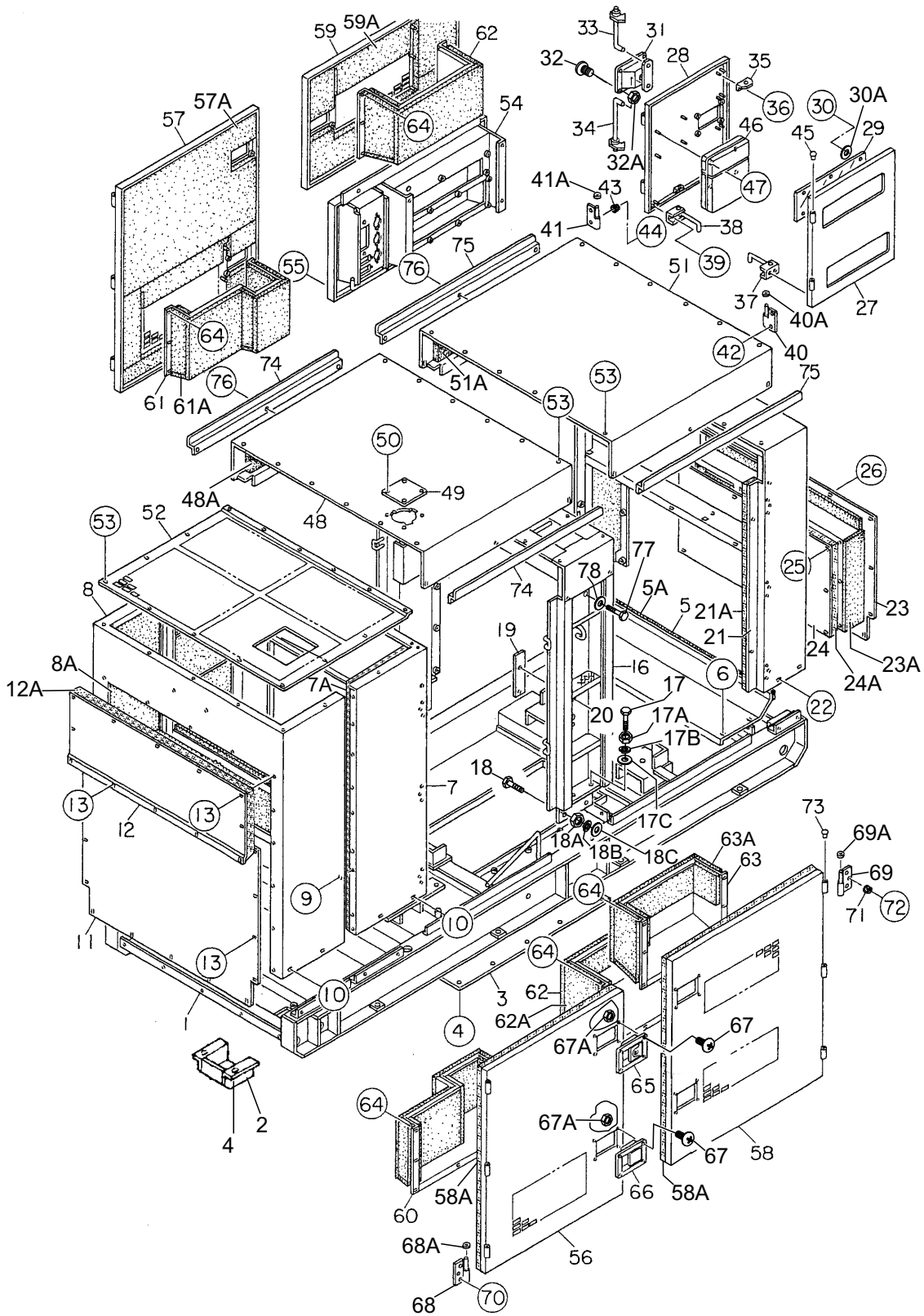
ENCLOSURE ASSY.



ENCLOSURE ASSY.

<u>NO.</u>	<u>PART NO.</u>	<u>PART NAME</u>	<u>QTY.</u>	<u>REMARKS</u>
1	M5413000004	BASE	1	
2	M1413400004	FLOOR PANEL	1	
3	M5413100204	FLOOR PANEL	1	
4	0019208020	HEX HEAD BOLT	12	
5	M5413600104	DUCT	1	
5A	M5493000004	ACOUSTIC SHEET	1	
6	0016908020	HEX HEAD BOLT	4	
7	M5423000002	FRONT FRAME	1	
7A	M5493100003	ACOUSTIC SHEET	1	
8	M5423000102	FRONT FRAME	1	
8A	M5493100003	ACOUSTIC SHEET	1	
9	0017108020	HEX HEAD BOLT	10	
10	0019210025	HEX HEAD BOLT	8	
11	M5424200303	COVER, FRONT FRAME	1	
12	M5424200103	COVER, FRONT FRAME	1	
12A	M5494101604	ACOUSTIC SHEET	1	
13	0019208020	HEX HEAD BOLT	23	
14	0845042703	FILLER BRACKET	1	
15	0019208020	HEX HEAD BOLT	4	
16	M5433000002	CENTER FRAME	1	

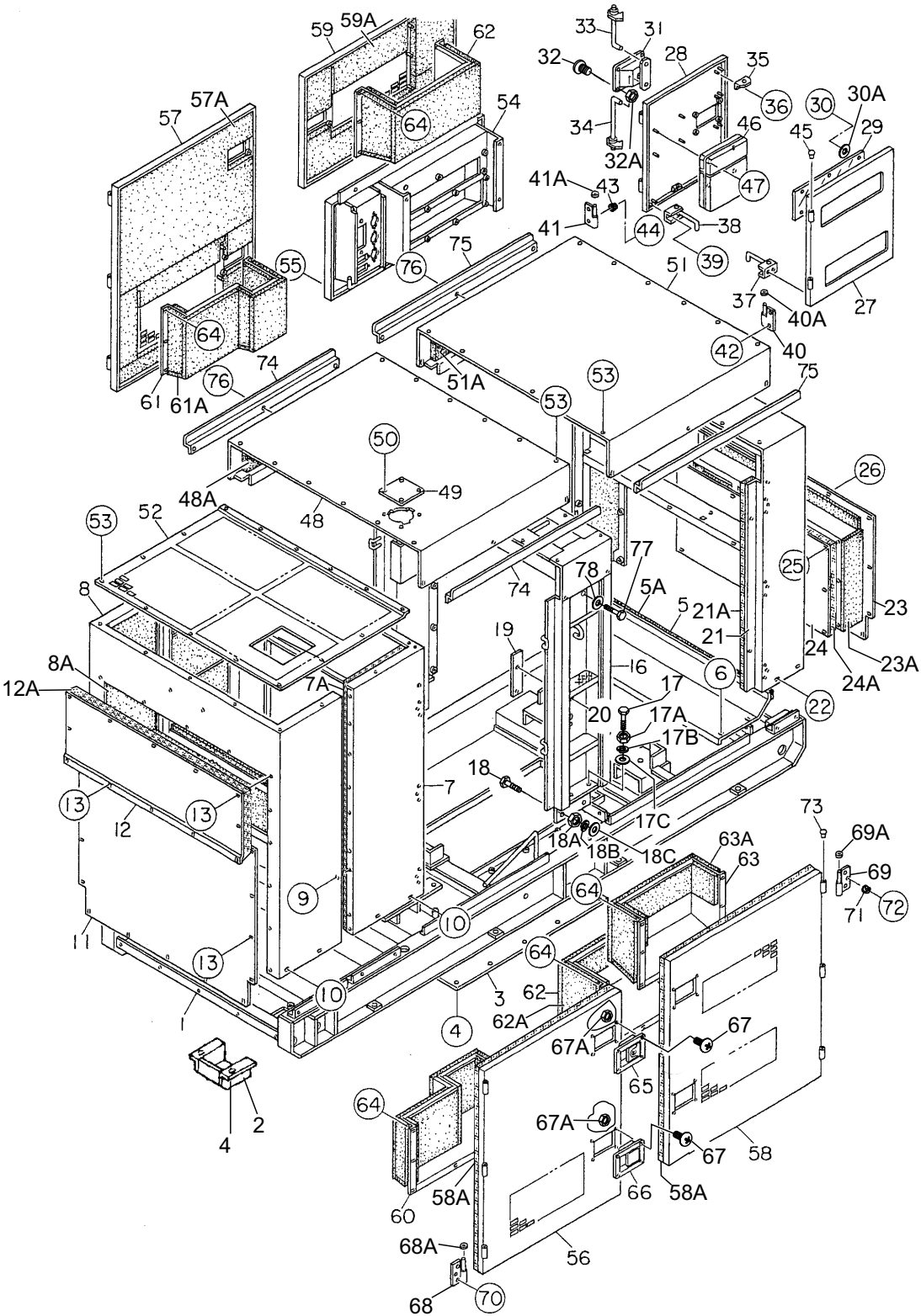
ENCLOSURE ASSY. (CONTINUED)



ENCLOSURE ASSY. (CONTINUED)

<u>NO.</u>	<u>PART NO.</u>	<u>PART NAME</u>	<u>QTY.</u>	<u>REMARKS</u>
17	0010114050	HEX HEAD BOLT	4	
17A	0030014000	HEX NUT	4	
17B	0040014000	WASHER, LOCK	4	
17C	0041214000	WASHER, FLAT	8	
18	0010114040	HEX HEAD BOLT	8	
18A	0030014000	HEX NUT	8	
18B	0040014000	WASHER, LOCK	8	
18C	0041214000	WASHER, FLAT	16	
19	M5366700204	COVER	1	
20	0019208020	HEX HEAD BOLT	2	
21	M5443300002	REAR FRAME	1	
21A	M5493300904	ACOUSTIC SHEET	1	
22	0019210025	HEX HEAD BOLT	4	
23	M5443300003	COVER, REAR FRAME	1	
23A	M5493300004	ACOUSTIC SHEET	1	
24	M5443300104	PANEL	1	
24A	M5493300104	ACOUSTIC SHEET	1	
25	0016908020	HEX HEAD BOLT	12	
26	0019208020	HEX HEAD BOLT	14	
27	M5444200003	DOOR, REAR FRAME	1	
28	M5444200203	DOOR, REAR FRAME	1	
29	M5443600004	WINDOW PLATE	2	
30	0207306000	SELF- LOCKING U-NUT	12	
30A	0041206000	WASHER, FLAT	12	
31	M9113000202	DOOR HANDLE	1	
32	0021806016	MACHINE SCREW	4	
32A	0030006000	HEX NUT	4	

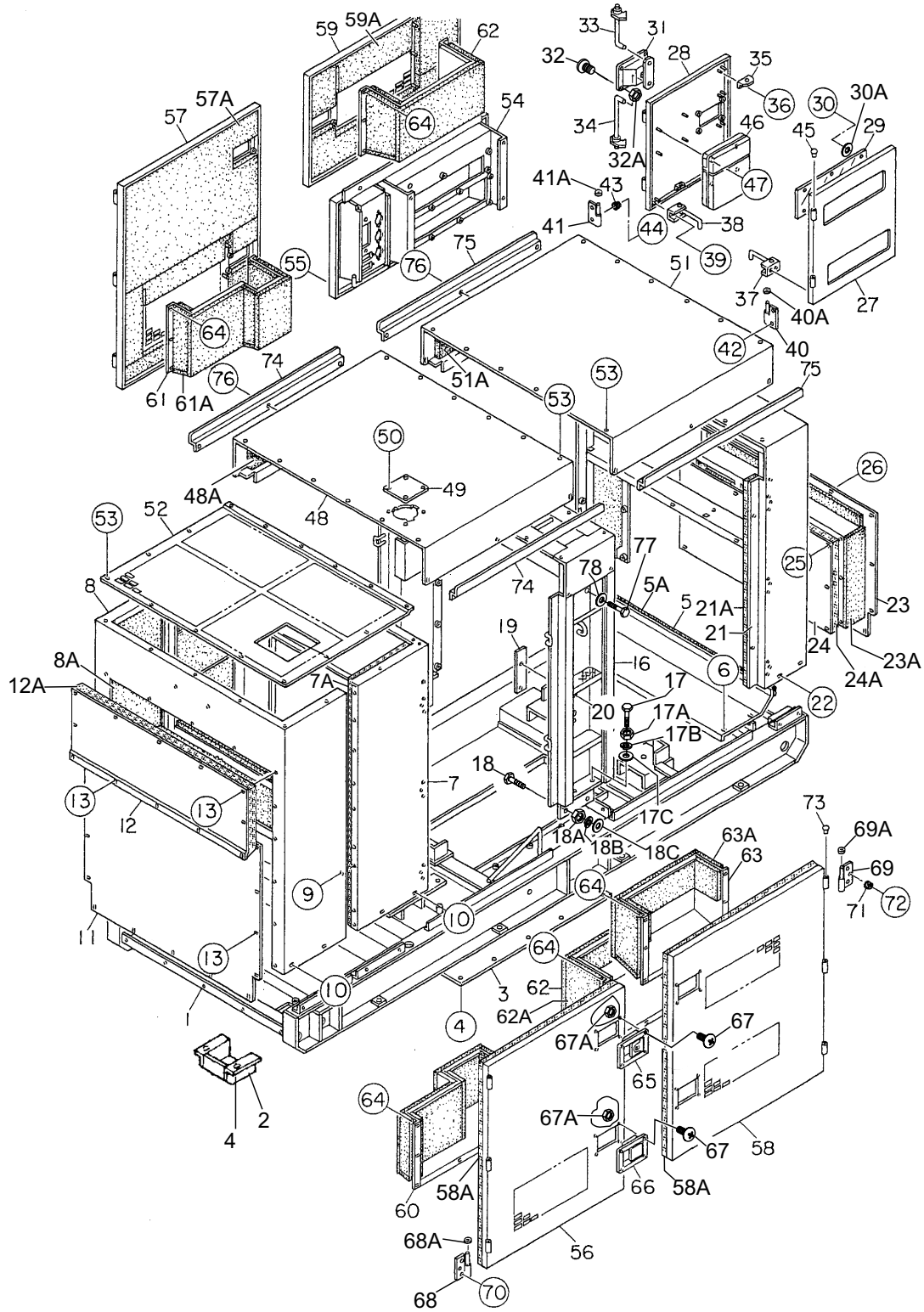
ENCLOSURE ASSY. (CONTINUED)



ENCLOSURE ASSY. (CONTINUED)

<u>NO.</u>	<u>PART NO.</u>	<u>PART NAME</u>	<u>QTY.</u>	<u>REMARKS</u>
33	M9114300004	DOOR ROD	1	
34	M9114300104	DOOR ROD	1	
35	M9113300004	STAY	4	
36	0207006000	HEX NUT	8	
37	M9113400104	STOPPER, DOOR	1	
38	M113400204	STOPPER, DOOR	1	
39	0207006000	HEX NUT	4	
40	M9110100204	HINGE	2	
40A	M9116100004	WASHER	2	
41	M9110100304	HINGE	2	
41A	M9116100004	WASHER	2	
42	0019208020	HEX HEAD BOLT	6	
43	0601850097	STOPPER	2	
44	0025408025	MACHINE SCREW	2	
45	0845031504	CAP	4	
45	M9310000004	CAP	4	
46	0600800320	MANUAL PAK	1	
47	0207006000	HEX NUT	4	
48	M5463100002	ROOF PANEL	1	
48A	M5493500004	ACOUSTIC SHEET	1	
49	M3310600004	COVER	1	
50	0019208020	HEX HEAD BOLT	4	
51	M5463200102	ROOF PANEL	1	
51A	M5493502004	ACOUSTIC SHEET	1	
52	M5423200103	COVER, FRONT FRAME	1	
53	0019208020	HEX HEAD BOLT	41	
54	M5453200002	SPLASHER PANEL	1	
55	0019208065	HEX HEAD BOLT	6	

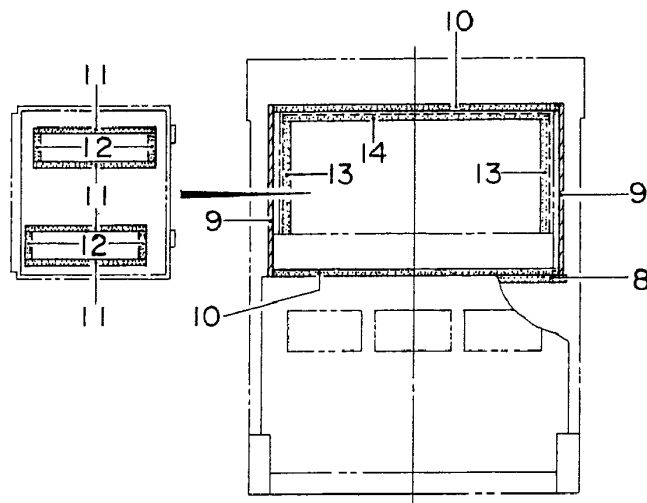
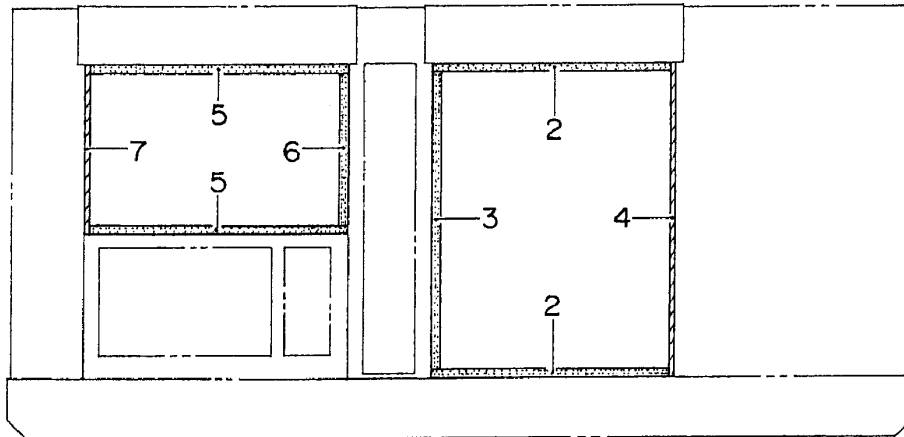
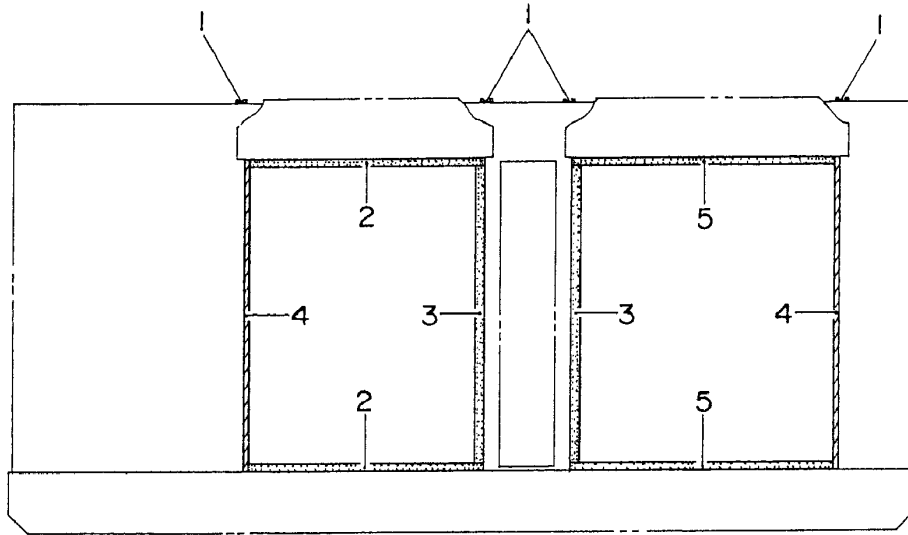
ENCLOSURE ASSY. (CONTINUED)



ENCLOSURE ASSY. (CONTINUED)

<u>NO.</u>	<u>PART NO.</u>	<u>PART NAME</u>	<u>QTY.</u>	<u>REMARKS</u>
56	M5453000203	SIDE PANEL	1	
56A	M5493400004	ACOUSTIC SHEET	1	
57	M5453000303	SIDE PANEL	1	
57A	M5493400104	ACOUSTIC SHEET	1	
58	M5453000803	SIDE PANEL	1	
58A	M5493409304	ACOUSTIC SHEET	1	
59	M5453000903	SIDE PANEL	1	
59A	M5493409404	ACOUSTIC SHEET	1	
60	M5453300004	DUCT	1	
60A	M5493400204	ACOUSTIC SHEET	1	
61	M5453300104	DUCT	1	
61A	M5493400304	ACOUSTIC SHEET	1	
62	M5453300904	DUCT	2	
62A	M5493409504	ACOUSTIC SHEET	2	
63	M5453300204	DUCT	1	
63A	M5493400404	ACOUSTIC SHEET	1	
64	0207008000	HEX NUT	35	
65	M9113000002	DOOR HANDLE	4	
66	M9113000102	DOOR HANDLE	3	
67	0021806016	MACHINE SCREW	28	
67A	0030006000	HEX NUT	16	
68	M9110100804	HINGE	5	
68A	M9116100004	WASHER	5	
69	M9110100904	HINGE	6	
69A	M9116100004	WASHER	6	
70	0019208020	HEX HEAD BOLT	25	
71	0601850097	STOPPER	8	
72	0025408025	MACHINE SCREW	8	
73	M9310000004	CAP	11	
74	M5463500004	GUTTER	2	
75	M5463500104	GUTTER	2	
76	0019208020	HEX HEAD BOLT	4	
77	0019116025	HEX HEAD BOLT	1	
78	0042416000	WASHER, FLAT	1	

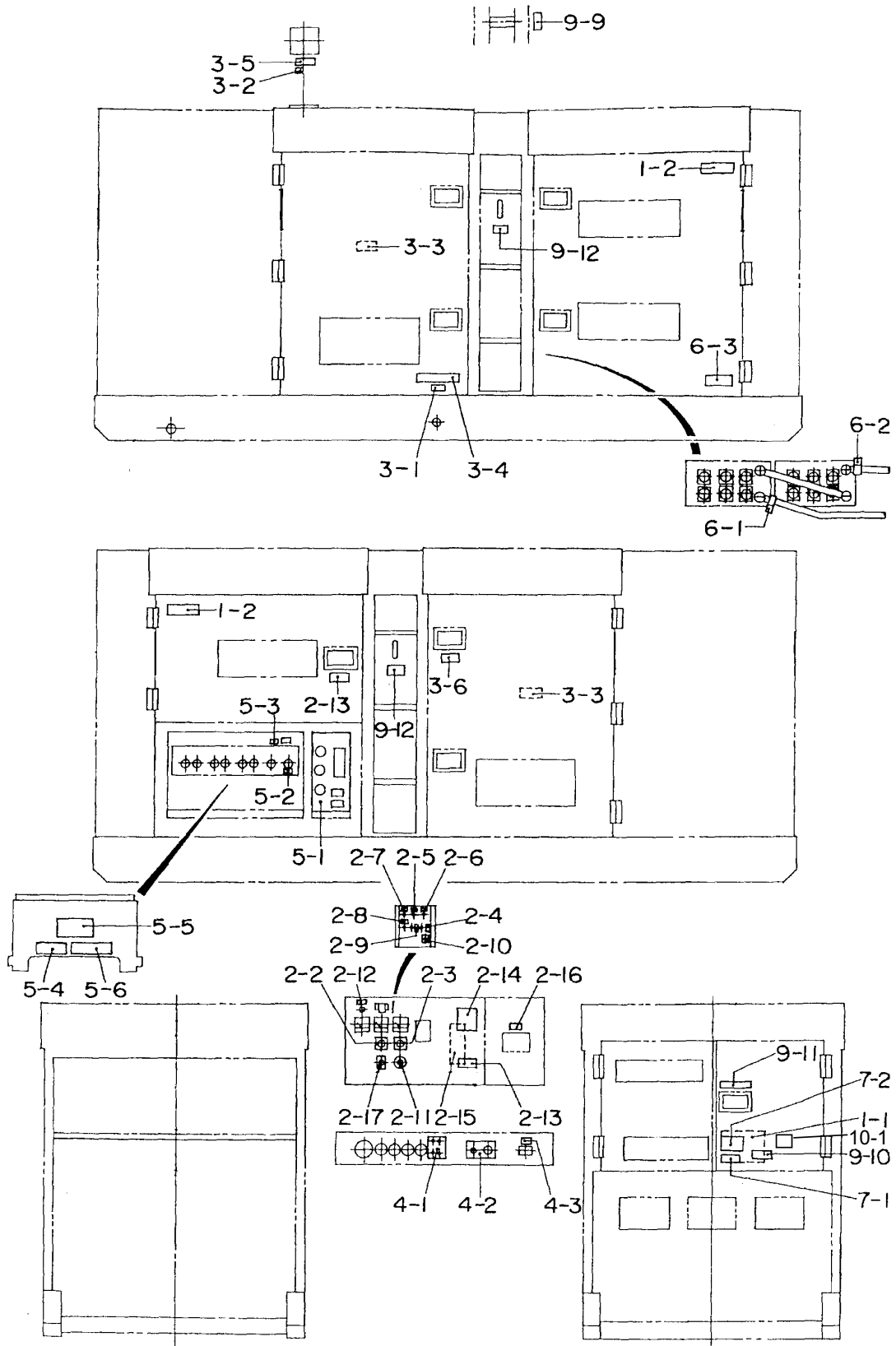
RUBBER SEALS ASSY.



RUBBER SEALS ASSY.

<u>NO.</u>	<u>PART NO.</u>	<u>PART NAME</u>	<u>QTY.</u>	<u>REMARKS</u>
1	0229201400	SEAL RUBBER	4	
2	0228901015	SEAL RUBBER	4	
3	0228901250	SEAL RUBBER	3	
4	0228901310	SEAL RUBBER	3	
5	0228900650	SEAL RUBBER	4	
6	0228900650	SEAL RUBBER	1	
7	0228900710	SEAL RUBBER	1	
8	0229201300	SEAL RUBBER	1	
9	0221200705	SEAL RUBBER	2	
10	0228801210	SEAL RUBBER	2	
11	0228100510	SEAL RUBBER	4	
12	0228100120	SEAL RUBBER	4	
13	0229200470	SEAL RUBBER	2	
14	0229201130	SEAL RUBBER	1	

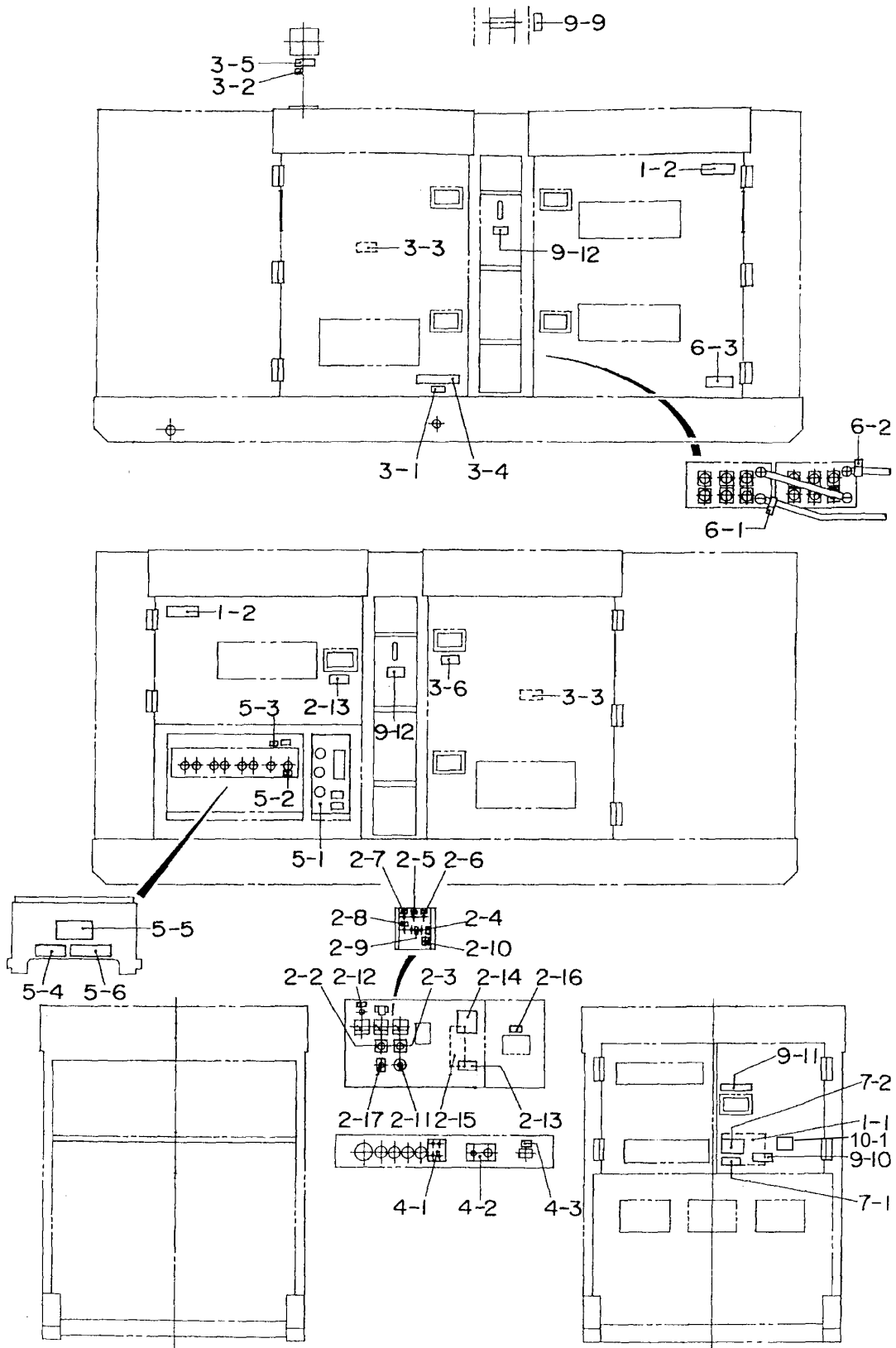
NAMEPLATE AND DECALS ASSY.



NAMEPLATE AND DECALS ASSY.

NO.	PART NO.	PART NAME	QTY.	REMARKS
1-1	M5550000303	DECAL : HANDLING PROCEDURES	1	M55000030
1-2	M9520100603	DECAL : CAUTION	2	M92010060
CONTROL BOX GROUP				
2-2	M9520000104	PLATE : AMMETER CHANGE-OVER SWITCH.....	1	M92000010
2-3	M9520000204	PLATE : VOLTMETER CHANGE-OVER SWITCH	1	M92000020
2-4	M9520000904	DECAL : DIAGNOSTIC SWITCH.....	1	M92000090
2-5	M9520001104	DECAL : DIAGNOSTIC BUTTON	1	M92000110
2-6	M9520001504	DECAL : RESET	1	M92000150
2-7	M9520001804	DECAL : WARNING DIAGNOSTIC LAMP	1	M92000180
2-8	M9520001904	DECAL : SHUTDOWN DIAGNOSTIC LAMP	1	M92000190
2-9	M9520001904	DECAL : LOW IDLE SPEED/DIAG. CODE SWITCH... 1	1	M92000200
2-10	M9522000404	DECAL : HIGH IDLE SPEED	1	M92200040
2-11	M9520001304	DECAL : VOLTAGE REGULATOR.....	1	M92000130
2-12	M9520001404	DECAL : PILOT LAMP	1	M92000140
2-13	M9520100004	DECAL : WARNING ELECTRIC SHOCK HAZ.....	1	M92010000
2-14	M9520100304	DECAL : GENERAL CAUTION	1	M92010030
2-15	M9520200303	DECAL : SETTING FOR OUTPUT VOLTAGE.....	1	M92020030
2-16	M9522000504	DECAL : CIRCUIT BREAKER.....	1	M92200050
2-17	M9522000704	DECAL : PANEL LIGHT SWITCH	1	M92200070
ENGINE & RADIATOR GROUP				
3-2	M9500000004	DECAL : OIL DRAIN PLUG	1	M90000000
3-1	M9500100004	DECAL : WATER.....	1	M90010000
3-3	M9503000004	DECAL : MOVING PARTS	2	M90300000
3-4	M9510100004	DECAL : WATER OIL	1	M91010000
3-5	M9503100004	DECAL : WARNING RADIATOR CAP	1	M90310000
3-6	M9510100004	DECAL : HIGH TEMP	1	M91010000
ENGINE OPERATING PANEL GROUP				
4-1	M5550000103	DECAL : ALARM LAMP	1	M55000010
4-3	M5550000503	DECAL : OPERATING PANEL	1	M55000050
4-1	M9520001604	DECAL : BATTERY SWITCH	1	M92000160
OUTPUT TERMINAL GROUP				
5-1	M4550000103	DECAL : AUXILIARY OUTPUTS.....	1	M45000010
5-2	M9520000004	DECAL : GROUNDING.....	1	M92000000
5-3	M9520000504	DECAL : START CONTACT	1	M92000050
5-4	M9520000704	DECAL : 3-PHASE OUTPUT TERMINAL	1	M92000070
5-5	M9520100404	DECAL : DANGER HIGH VOLTAGE	1	M92010040
5-6	M9520100503	DECAL : WARNING ELECTRIC SHOCK HAZARD	1	M92010050

NAMEPLATE AND DECALS ASSY.



NAMEPLATE AND DECALS ASSY.

<u>NO.</u>	<u>PART NO.</u>	<u>PART NAME</u>	<u>QTY.</u>	<u>REMARKS</u>
		BATTERY GROUP		
6-1	M9500300004	DECAL : -	1	M90030000
6-2	M9500300104	DECAL : +	1	M90030010
6-3	M9510100403	DECAL : WARNING BATTERY CONNECT	1	M91010040A
		MUFFLER GROUP		
7-1	M9503200004	DECAL : WARNING ENGINE EXHAUST	1	M90320000
7-2	M9503200104	DECAL : DANGER EXHAUST GAS INDOOR..1	1	M90320010
		ENCLOSURE GROUP		
9-9	M5550000004	DECAL : CAUTION LIFTING CAP	1	M55000000
9-10	M9504200004	DECAL : WARNING START FIRES	1	M90420000
9-11	M9510000104	DECAL : DOCUMENT BOX LOCATED	1	M91000010
9-12	M9512000004	DECAL : SUPPORT HOOK	2	M91200000
10-1		EMISSION CONTROL INFORMATION PLATE ...1	1	CONTACT MQ PARTS DEPT. W/ SERIAL NUMBER