



TM-249336G

2016-02

Processes



Stick (SMAW) Welding



MIG (GMAW) Welding

Flux Cored (FCAW) Welding



Non-Critical TIG (GTAW)
Welding

Description



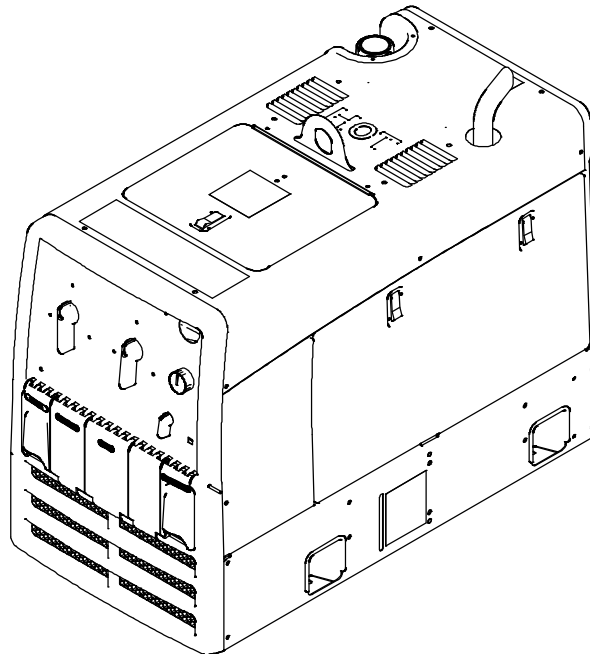
Engine Driven Welder/Generator

Bobcat™ 250

PARTS LIST

Eff w/MB450391R And Following

For OM-249336 Revisions A Thru J



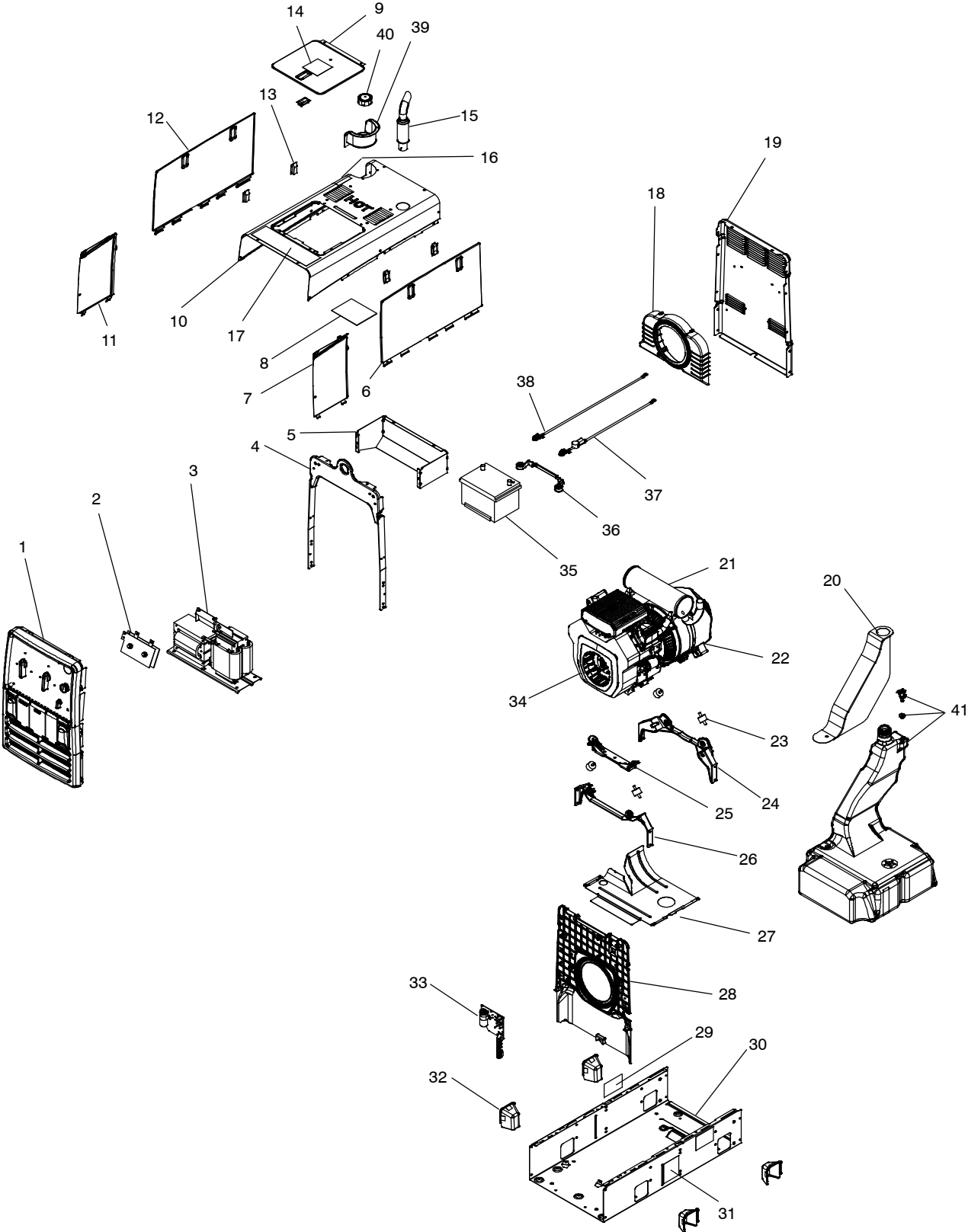
Visit our website at

www.MillerWelds.com

File: Engine Drive



SECTION 12 – PARTS LIST



253 859-A

Figure 12-1. Main Assembly (Kohler Engine Shown)

Eff w/MB450391R And Following

Item No.	Dia. Mkgs.	Part No.	Description	Quantity
Figure 12-1. Main Assembly				
1		Figure 12-3	Front Panel Assembly	1
2	SR1	249234	Rectifier,	1
3		249262	Reactor, Stab	1
4		249241	Upright, Base	1
5		249256	Heat Shield, Muffler	1
6		249250	Door, Side Rh	1
		†255940	Door, Side Rh W/Latch And Seal	
7		249248	Panel, Side Rh	1
		†255942	Panel, Side Rh W/Bumper	
8		252069	Shield, Heat Reflective (Cover)	1
9		249244	Door Assy, Access Engine Top	1
10		+249252	Cover, Top	1
		†255907	Cover, Top Service Assy (Includes Engine Access Door, Labels, Fuel Filler Grommet)	
		†255908	Cover, Top Service Assy LP (Includes Engine Access Door, Labels, Fuel Filler Grommet)	
11		249249	Panel, Side Lh	1
		†255943	Panel, Side Lh W/Bumper	
12		249251	Door, Side Lh	1
		†255941	Door, Side Lh W/Latch And Seal	
13		211370	Latch, Door	5
14		233088	Label, Danger Using A Generator Indoors Can Kill	1
		217395	Bumper, Door .500 Od X .250 High Nprn 70 Duro	10
		220371	Seal, Rubber W/Adhesive .370 X .750 X 14.500	2
		191626	Bumper, Door Access Engine	1
15		249317	Pipe, Exhaust Elbow w/Resonator (Prior to MF220012F)	1
15		249318	Pipe, Exhaust Elbow (Eff w/MF220012F)	1
16		249302	Label, Warning Gasoline (Epa) Bilingual	1
16		229133	Label, Warning LP Gas (Bilingual)	1
17		255052	Label, Warning General Precautionary Csa (Bilingual)	1
18		249280	Baffle, Air Rear	1
19		249239	Panel, Rear	1
20		252215	Shield, Heat Reflective (Tank)	1
21		249313	Muffler, Exhaust Engine (Kohler CH730)	1
21		249741	Muffler, Exhaust Engine (Kohler ECH730 – EFI)	
21		249314	Muffler, Exhaust Engine (Subaru) (Prior to ME381002R)	1
		261566	Gasket, Muffler (Kohler)	2
		261651	Gasket, Muffler (Subaru) (Prior to ME381002R)	2
		209057	Clamp, Muffler 1.625 Dia U Pld	1
22		Figure 12-2	Generator Assembly	1
	CT1	246549	Xfmr, Current Sensing	1
23		249255	Mount, Vibration	4
24		249229	Bracket, Mtg Base Generator	1
25		249226	Bracket, Mtg Engine Kohler	1
25		249227	Bracket, Mtg Engine Subaru (Prior to ME381002R)	1
26		249228	Bracket, Mtg Base Engine	1
27		249329	Cover, Fuel Tank	1
28		249253	Baffle, Engine	1
		216641	Seal, Engine Air Baffle (Subaru Engine Models) (Prior to ME381002R)	1
29		227913	Label, Warning Battery Explosion Can Blind	1
30		+249254	Base,	1
31		227912	Label, Warning Do Not Weld On Base/Fuel Level	2
32		211355	Cover, Base (LP Model, 3 Qty)	4
32		250494	Cover, Base LP	1

Eff w/MB450391R And Following

Item No.	Dia. Mkgs.	Part No.	Description	Quantity
Figure 12-1. Main Assembly (Continued)				
33		246217	Bracket, W/Components/Harness	1
		248219	Bracket, Mtg Components	1
		172731	Holder, Fuse Mintr .250 X 1.250 Clip Anti-pivot	2
	1T	172661	Block, Stud Connection 6 Position	1
		177136	Clamp, Capacitor 1.375 Dia	1
	C1	218680	Capacitor, Elctl 2000 Uf 200 Vdc Can 1.42 Dia	1
	SR2-SR3	035704	Rectifier, Integ Bridge 40. Amp 800v	2
	F1-F2	*169296	Fuse, Mintr GI 25. Amp 125 Volt	2
	D4	135184	Diode Board,	1
		173734	Link, Jumper	1
34		249305	Engine, Gas Elec Start Kohler CH730	1
		215984	Filter, Fuel In-line .250 Kohler CH730	1
		230015	Tune-up & Filter Kit, Kohler CH730 (Includes)	1
		230016	Air Filter Element, Kohler	1
		066698	Oil Filter, Kohler	1
		215985	Filter, Fuel w/Clamps & 1/4 in Fuel Line	1
		067007	Spark Plug	2
		230017	Air Filter Wrapper	1
34		259991	Engine, Gas Elec Start Kohler ECH730 - EFI	1
		264859	Sensor, Oxygen Kohler EFI	1
		246115	Tune-up & Filter Kit, Kohler ECH730 - EFI (includes)	1
		230016	Air Filter Element	1
		066698	Oil Filter	1
		246117	Filter, Fuel w/Clamps (Primary)	1
		246123	Filter, Fuel w/Clamps (Secondary)	1
		067007	Spark Plug	2
		230017	Air Filter Wrapper	1
	TS1	†199530	Solenoid, Idle (Kohler)	1
34		249307	Engine, Gas Elec Start (Subaru) (Prior to ME381002R)	1
		237857	Filter, Fuel In-line .250 Subaru (Prior to ME381002R)	1
		199062	Tune-up & Filter Kit, Subaru (Includes) (Prior to ME381002R)	1
		198755	Element, Air Filter	1
		198754	Filter, Oil	1
		241408	Filter, Fuel w/Clamps	1
		198777	Spark Plug	1
	TS1	†206573	Solenoid, (Subaru) (Prior to ME381002R)	1
34		249309	Engine, LP Gas Elec Start Kohler	1
	F6	215621	Fuse, 30 Amp Ato Type Subaru and Kohler CH730	1
	F6	242712	Fuse 15 Amp Automotive Blade Kohler ECH730-EFI	1
	F6	021718	Fuse, Mintr GI 30. Amp 32 Volt Kohler LP	1
35			Battery, Stor 12v Gp 58 Maint Free	1
36		249330	Hold Down, Battery	1
37		245134	Cable, Battery Positive (25 In)	1
38		249615	Cable, Battery Negative (30.00 In)	1
		251161	Label, Engine Maintenance Kohler/Subaru (Bilingual)	1
		†255938	Kit, Label Bobcat 225/250/3 Phase	1
		†147551	Tool, Puller Rotor	1
		†177126	Tool, Puller Rotor	1
		†167640	Housing Plug Pins+Skts, (Service Kit)	1

Eff w/MB450391R And Following

Item No.	Dia. Mkgs.	Part No.	Description	Quantity
Figure 12-1. Main Assembly (Continued)				
<i>☞ Gas tanks are EPA compliant starting 2012 week 10 (March 5, 2012). Contact Factory Service Department to ensure correct replacement parts are ordered.</i>				
... 39		181881	Grommet, Plastic Neck Filler Fuel	1
... 40		220711	Cap, Tank Screw-on W/Tether (Prior to: See below)	1
... 40		255707	Cap, Tank Screw-on W/Exterior Tether (Eff w: See below)	1
... 41		250882	Tank, Fuel 12.0 Gal w/Sender (Prior to: See below)	1
... 41		257484	Assy, Tank 12.0 Gal W/Epa Valve & Sender (Eff w: See below)	1
		255172	Tank, Fuel 12.0 Gal w/Sender	1
		252645	Valve, Solenoid 2-Way Normally Closed 14vdc 6.5 W	1
		124253	Bushing, Tank Fuel	1
... 41		266531	Assy, Tank 12.0 Gal W/Epa Valve & Sender (Eff w/MD491360R)	1
		264280	Tank, Fuel 12.0 Gal w/Sender	1
		252645	Valve, Solenoid 2-Way Normally Closed 14vdc 6.5 W	1
		124253	Bushing, Tank Fuel	1
		251227	Hose, Tank Vent 3/16 Id X 45.500 W/Clamps (Eff w: See below)	1
		252054	Clamp, Epa Hose (Eff w: See below)	1
		249616	Assy, Fuel Line W/Clamps (.500 Od X 4.000lg)	1

Model and Engine	Stock Number	Effective Serial Number of EPA Fuel Tank Change:
... 250 Kohler GFCI	907500	MC100164R Thru MD491360R
... 250 Subaru	907501	MC090993R Thru MD491360R
... 250 EFI	907502	MC120705R Thru MD491360R
... 250 Kohler	907500001	MC090826R Thru MD491360R
... 250 Kohler Elec Fuel Pump	907500002	MC110496R Thru MD491360R
... 250 Kohler No Battery	907500003	MC070779R Thru MD491360R
... 250 Kohler Sunbelt	907500004	MC120668R Thru MD491360R

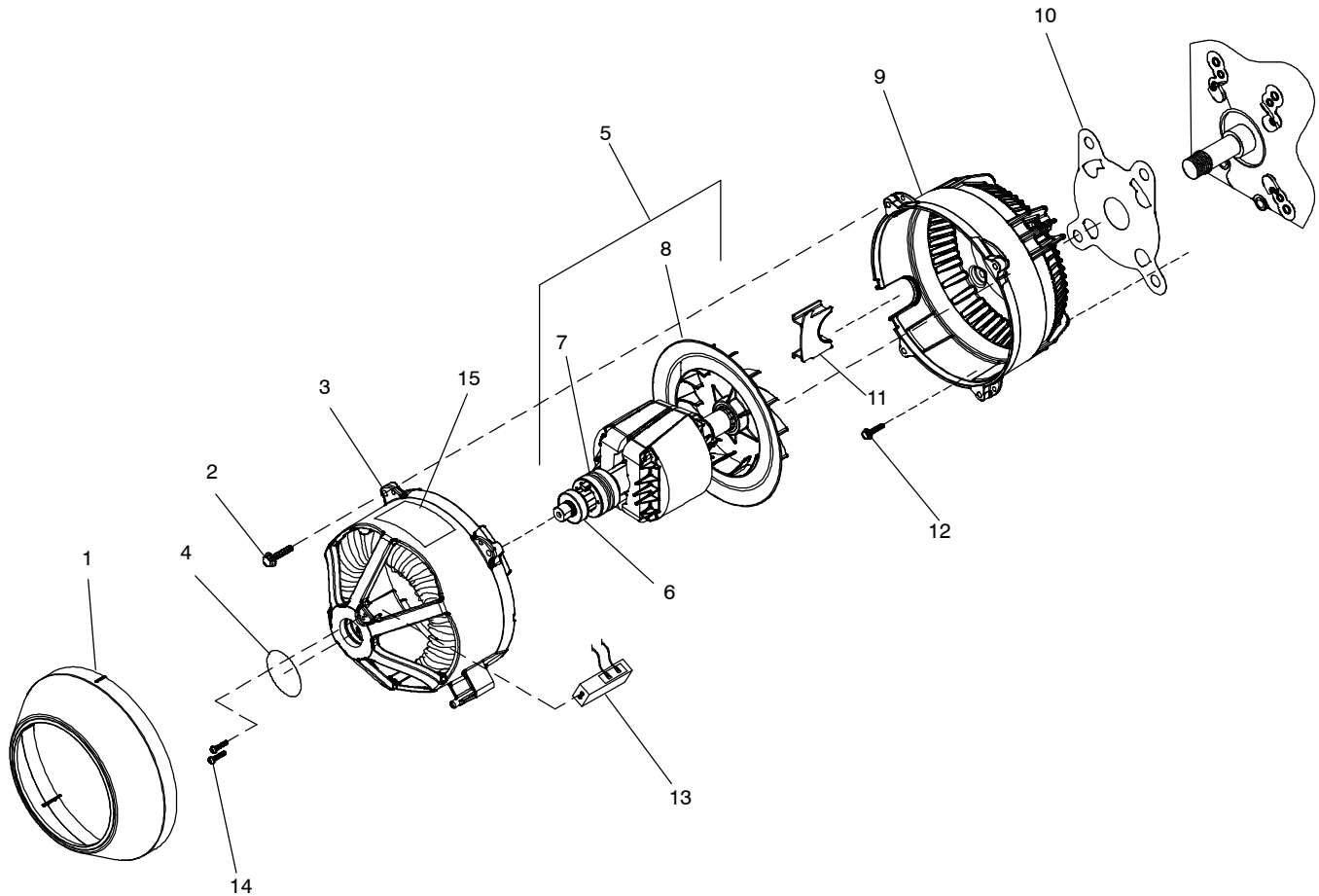
+When ordering a component originally displaying a precautionary label, the label should also be ordered. Labels available separately or as part of label kit.

* Recommended Spare Parts.

† Service Parts.

To maintain the factory original performance of your equipment, use only Manufacturer's Suggested Replacement Parts. Model and serial number required when ordering parts from your local distributor.

Eff w/MB450391R And Following



253 848-A

Figure 12-2. Generator

Item No.	Part No.	Description	Quantity
----------	----------	-------------	----------

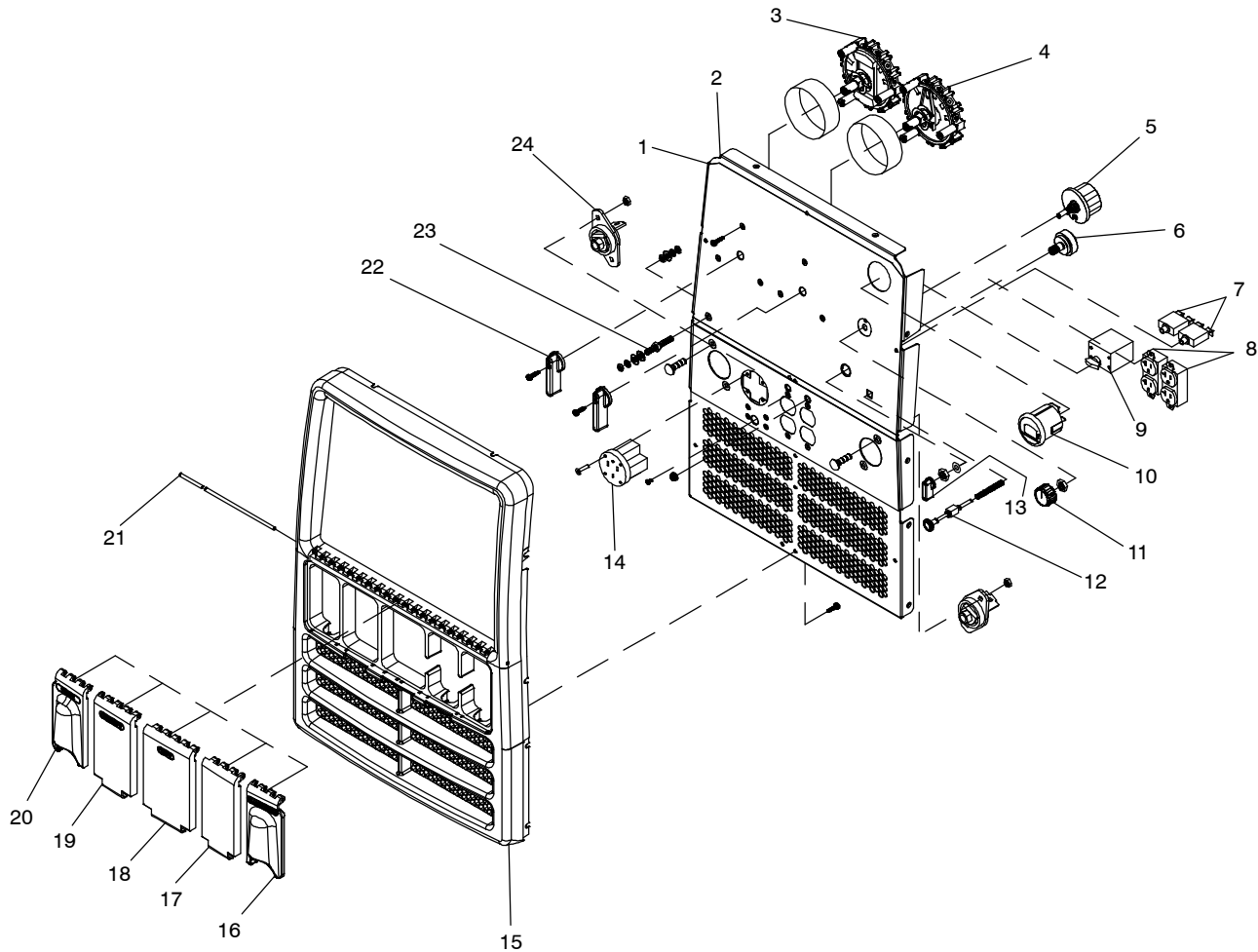
Figure12-2. Generator (Figure 12-1 Item 22)

...	1	249240	.. Cover, Generator	1
...	2	142156	.. Screw, 375-16x1.75 Hexwhd.81d Gr8 Pld	4
...	3	STATOR .. +246402	.. Generator Assy, Front (Kohler CH730 & Subaru)	1
...	3	STATOR .. +249613	.. Generator Assy, Front (Kohler ECH730)	1
...	4	183419	... O-Ring 1.984 Id X .139 cs 70 Duro Viton	1
...	5	ROTOR ... 249325	.. Rotor, Generator (Includes)	1
...	6	181143	... Bearing, Ball Rdl Sgl Row .984 X 2.047 X .591	1
...	7	181135	... Ring, Collector Rotor	1
...	8	249259	... Fan, Rotor Gen	1
...	9	249222	.. Adapter, Engine	1
...	10	250871	.. Baffle, Engine Adapter	1
...	11	249740	.. Grommet, Engine Adapter	1
...	12	250336	.. Screw, 437-14x1.50 Hexwhd.93d Gr8 Pld	4
...	13	205725	.. Brushholder Assy, Generator	1
...	14	136343	.. Screw, K50x 20 Pan Hd-phl Stl Pld Pt Thread Forming	2
...	15	227724	.. Label, Warning Moving Parts Can Cause Serious Etc (Bilingual)	1

+When ordering a component originally displaying a precautionary label, the label should also be ordered. Labels available separately or as part of label kit.

To maintain the factory original performance of your equipment, use only Manufacturer's Suggested Replacement Parts. Model and serial number required when ordering parts from your local distributor.

Eff w/MB450391R And Following



Ref. 803 881-D

Figure 12-3. Panel, Front w/Components

Item No.	Dia. Mkgs.	Part No.	Description	Quantity
Figure 12-3. Panel, Front w/Components (Figure 12-1 Item 1)				
...	1		Nameplate (Order By Model And Serial No.)	1
...	2	228202	Panel, Front	1
...	3	S1 246498	Switch, Polarity w/Leads & Jumpers	1
...	4	S3 246500	Switch, Range W/Lead & Jumper	1
...	5	R1 239168	Rheostat, WW 150. W 50. Ohm Frict Term	1
...	6	S2 217680	Switch, Ignition 4 Position W/Out Handle	1
...	7	CB2, CB3 093996	Supplementary Pro, Man Reset 1p 20a 250vac Frict	2
...	8	RC2, RC3 237722	Rcpt, Str Dx Grd 2p3w 20a 125v *5-20r	2
...	8	RC2,RC3 ♦259980	Receptacle, GFCI 15/20a	2
...	9	CB1 233039	Supplementary Protector, Man Reset 2p 50a 240vac	1
...	10	HM 222121	Gauge, Fuel Elec/Hour Meter/Idle Module	1
...	10	HM 227598	Gauge, Hour Meter/Idle Module (LP Engine)	1
...	11	207077	Knob, Pointer 1.625 Dia. Push On	1
...	12	249320	Control, Push/Pull Snap-in 28.937 W/1.75 Ext Kohler	1
...	14	249322	Control, Push/Pull Snap-in 31.437 w/1.75 Ext Subaru	1
...			(Prior to ME381002R)	1
...		110463	Tubing Corrugated Plastic Slit .250 Dia Xcoil	.3437 ft
...	13	207073	Lever, Ignition Switch	1
...	14	RC1 182954	Rcpt, Str 3p4w 50a 125/250v Flush Mtg *14-50	1
...	15	217346	Bezel Assy (Includes)	1
...		211416	Bezel	1
...	16	216776	Cover, Output Stud Electrode	1
...	17	213637	Cover, Output Stud	1

Eff w/MB450391R And Following

Item No.	Dia. Mkgs.	Part No.	Description	Quantity
Figure 12-3. Panel, Front w/Components (Continued)				
... 18		216773	Cover, Receptacle Duplex 120v	1
... 19		216774	Cover, Receptacle Full Kva 120/240v	1
... 20		216772	Cover, Output Stud Work	1
... 21		211405	Pin, Hinge	1
... 22		207074	Handle, Switch	2
... 23	GRD	197203	Grounding Stud Assy, Brass	1
... 24	ELECT, WORK	241433	Terminal, Pwr Output Black	2

◆ Optional

To maintain the factory original performance of your equipment, use only Manufacturer's Suggested Replacement Parts. Model and serial number required when ordering parts from your local distributor.

☞ Some wiring harness components (switches, relays, circuit breakers) are also referenced elsewhere in this parts list. Purchase components separately or as part of the associated wiring harness.

Part No.	Dia. Mkgs.	Description	Quantity
Wiring Harnesses			
.....	246386	Harness, Wrg Unit (Includes)	1
.....	PLG8	Conn, Body 5 Terminal	1
.....	RC4	Conn, Rect Univ 084 6p/S 3row Rcpt Cable/Panel Lkg (Service Kit)	1
.....	PLG6	Conn, Rect Univ 084 4p/S 1row Plug Cable Lkg (Service Kit)	1
.....	PLG12	Conn, Rect Univ 039 8p/S 2row Plug Cable Lkg Seal	1
.....	PLG13	Conn, Rect Comm 062 2p/S 1row Plug Cable Lkg	1