

CONVENTIONAL ROTATORS

LC RANGE



*For Purchase Only

Our heavy duty, built to last conventional rotators are designed and manufactured to tolerate the hardest, hard-wearing and unrelenting workload environments. The powered drive units are controlled by a five-function pendant with a variable speed potentiometer, giving the operator full control of the rotating workpiece.

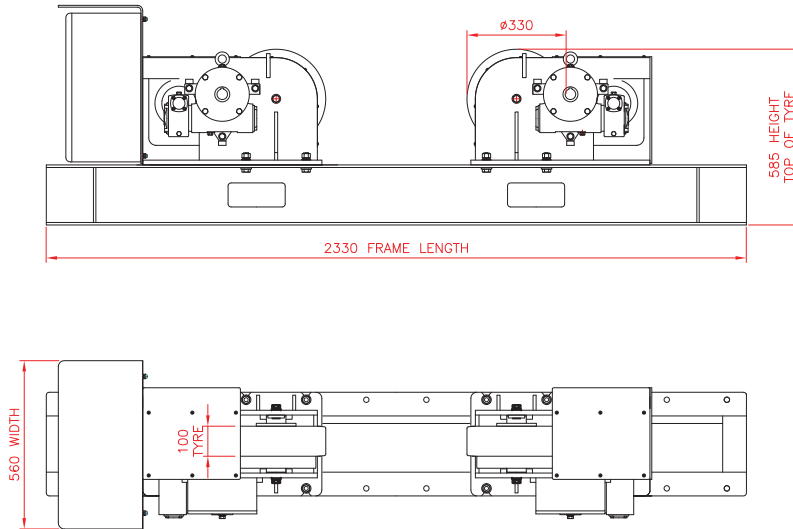
SPECIFICATION	RDA LC CR10 CE		RDA LC CR20 CE		RDA LC CR30 CE		RDA LC CR60 CE	
	10 TONNE		20 TONNE		30 TONNE		60 TONNE	
	DRIVE	IDLER	DRIVE	IDLER	DRIVE	IDLER	DRIVE	IDLER
Rotation Capacity	10,000kg		20,000kg		30,000kg		60,000kg	
Safe Working Load (kg)	5,000kg	5,000kg	10,000kg	10,000kg	15,000kg	15,000kg	30,000kg	30,000kg
Vessel Size Minimum	235mm	235mm	235mm	235mm	235mm	235mm	570mm	570mm
Vessel Size Maximum	4900mm	4900mm	4900mm	4900mm	5900mm	5900mm	6800mm	6800mm
Tyre Type	Polyurethane	Polyurethane	Polyurethane	Polyurethane	Polyurethane	Polyurethane	Polyurethane	Polyurethane
Tyre Width	100mm	100mm	180mm	180mm	250mm	250mm	300mm	300mm
Rotation Speed (mm/min)	100-1100mm		100-1100mm		100-1100mm		130-1300mm	
Rotation Drive Motor(s)	2 x 0.37kw		2 x 0.55kw		2 x 0.75kw		2 x 1.5kw	
Control Pendant	YES		YES		YES		YES	
Incoming Supply	380/480V		380/480V		380/480V		380/480V	
Weight (kg)	400kg	275kg	850kg	550kg	1,100kg	700kg	2,100kg	1250kg
Foot Print - LxWxH (mm)	2330 x 560 x 585	2330 x 340 x 585	2330 x 560 x 585	2330 x 425 x 585	2730 x 560 x 605	2730 x 500 x 605	3600 x 765 x 765	3600 x 630 x 765

CONVENTIONAL ROTATORS

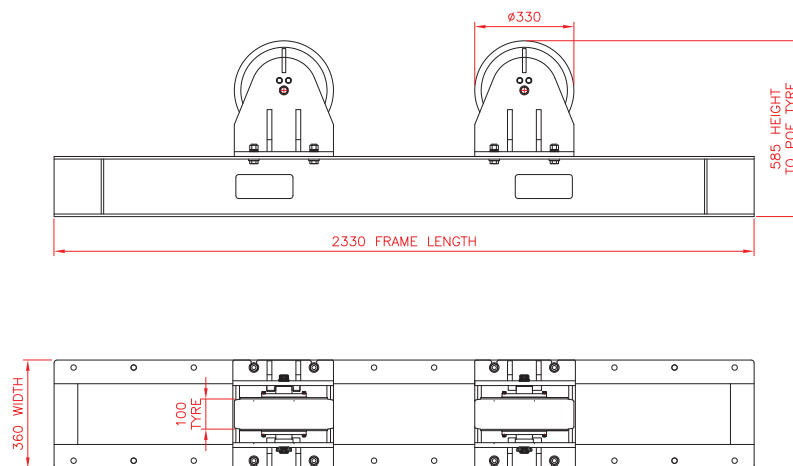
LC RANGE

RDA LC CR10 CE

10T DRIVE ROTATOR



10T IDLER ROTATOR



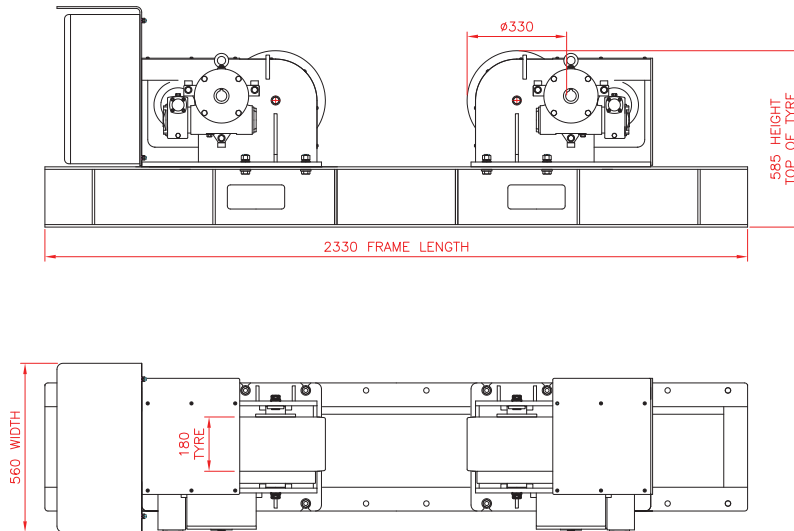
*For Purchase Only

CONVENTIONAL ROTATORS

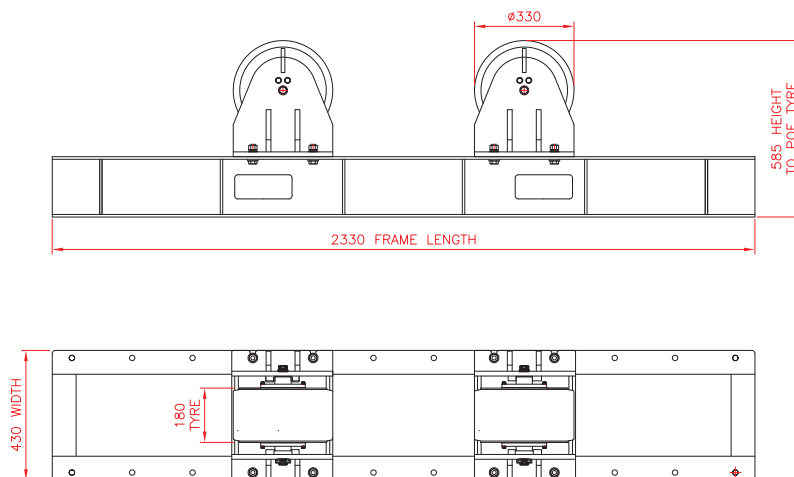
LC RANGE

RDA LC CR20 CE

20T DRIVE ROTATOR



20T IDLER ROTATOR



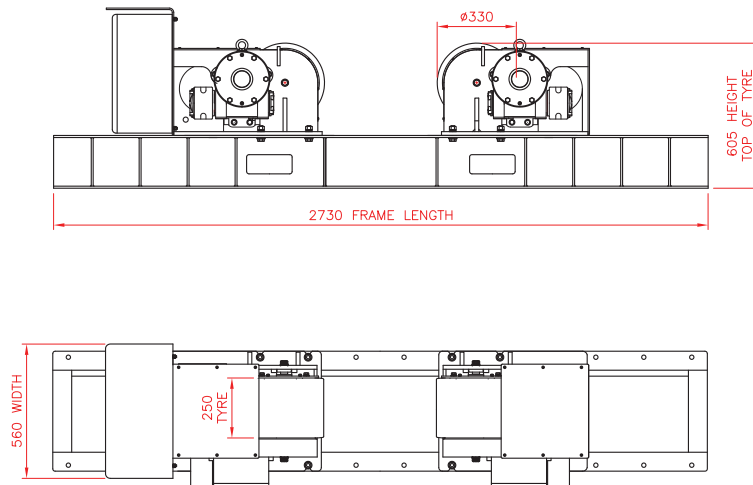
*For Purchase Only

CONVENTIONAL ROTATORS

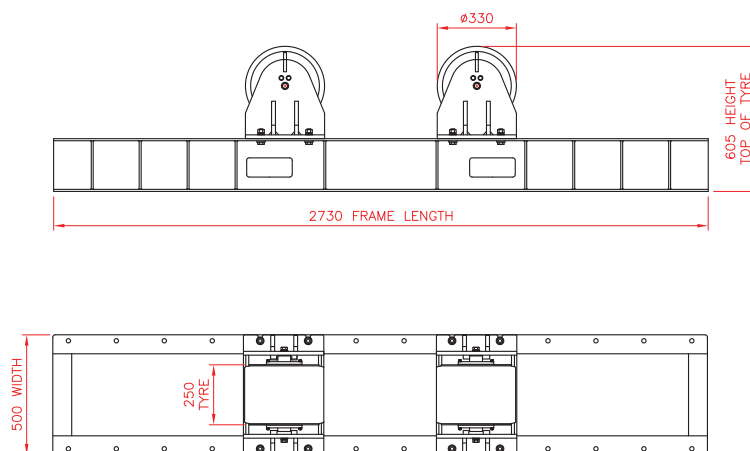
LC RANGE

RDA LC CR30 CE

30T DRIVE ROTATOR



30T IDLER ROTATOR



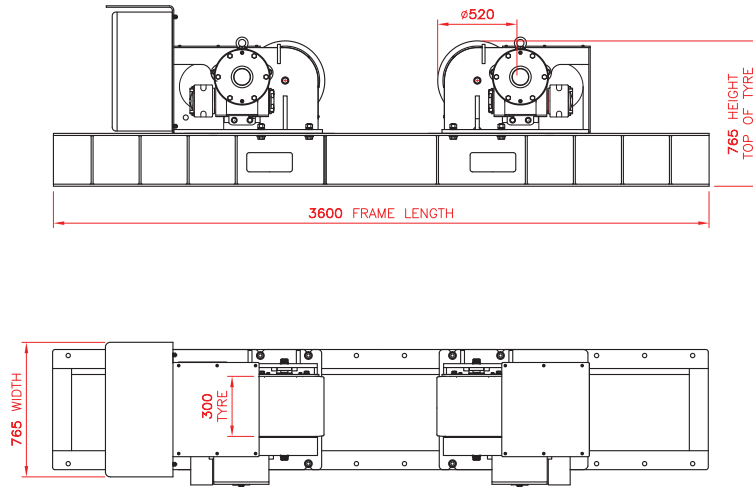
*For Purchase Only

CONVENTIONAL ROTATORS

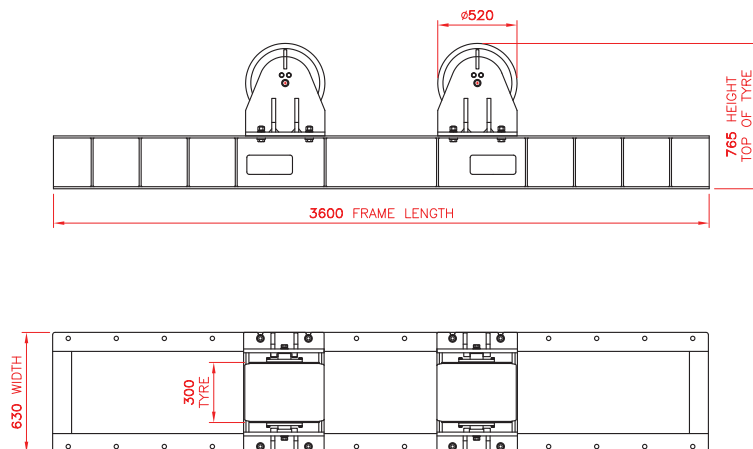
LC RANGE

RDA LC CR60 CE

60T DRIVE ROTATOR



60T IDLER ROTATOR



*For Purchase Only