



PM-281136C

2023-11

**Processes**



Induction Heating

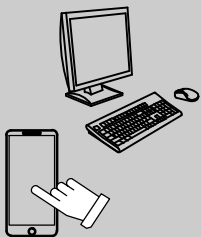
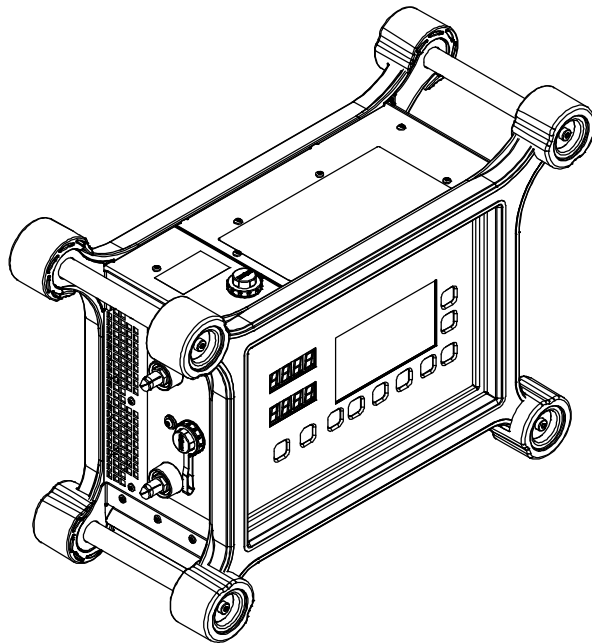
**Description**

Induction Heating Accessory

# ArcReach<sup>®</sup> Heater

## For CE And Non-CE Models

**Eff w/Serial No. ND420516C And Following**  
For OM-281136 Revision A And Following



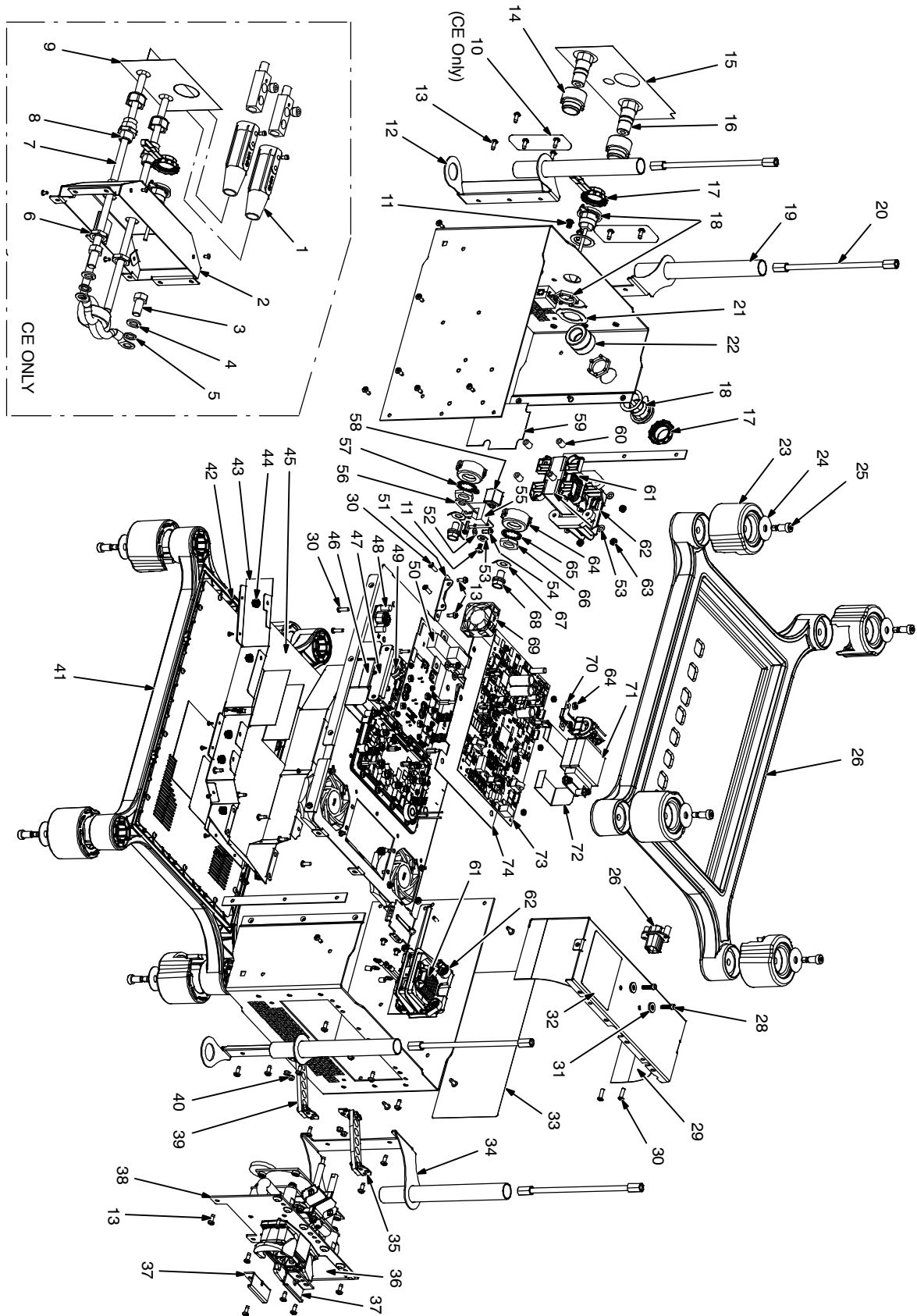
For product information,  
Owner's Manual translations,  
and more, visit

[www.MillerWelds.com](http://www.MillerWelds.com)

**PARTS MANUAL**



# SECTION 1 - PARTS LIST



Hardware is common and not available unless listed.

Figure 17-1. ArcReach Heater Main Assembly

## Eff w/ Serial No. ND420516C And Following

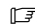
Item No.	Dia. Mkgs.	Part No.	Description	Quantity
<b>301390</b>				
<b>(CE 301591) Figure 17-1. ArcReach Heater Main Assembly</b>				
.. 1		287915	Conn, Tw Lk Insul Male (Dinse Type) 50 Ser Cable Cnct (CE)	2
.. 2		287647	Cover, Choke (CE)	1
.. 3		RMA-103	1/2-13 Hex Cap Screw, Br (CE)	2
.. 4		RMA-106	Washer, Lock 1/2 in. (CE)	2
.. 5		288133	Washer, Flat .500 Id x 0.750 Od x .090T Brs (CE)	2
.. 6		217030	Nut, Locking Strain Relief 1/2 in. Npt .270 Thick (CE)	2
.. 7		288127	Choke Assy, w/Leads (CE)	1
.. 8		217028	Bushing, Strain Relief .390/.560 Id x .830 Mtg Hole (CE)	2
.. 9		287706	Label, Work/Electrode/USB (CE)	1
.. 10		229768	Screw, 010-32 x .50 Pan Hd-Torx Machine Stl Pld (CE)	4
.. 11		284751	Screw, 250-20 x .375 Button Hd-Soc Sst Blk Lkg Patch	2
.. 12		281013	Bracket, Handle Support Btm	2
.. 13		195666	Screw 010-32 x .50 Pan Hd-Torx w/Gndrng Stl Pld	34
.. 14		250037	Insulator, Bukhead Front .890 Od	2
.. 15		284158	Label, Work/Electrode/USB	1
.. 16		260804	Receptacle, FM Threaded	2
.. 17		244237	Dust Cap	1
.. 18		283392	Cable, USB Type A Sealed Panel Mount	2
.. 19		281292	Assy, Threaded Rod w/Coupling Nuts	2
.. 20		276827	Handle, Tube	2
.. 21		255271	Gasket, Receptacle	2
.. 22	L3-L4	194254	Core, Toroidal 22.25mm Id x 15.88mm Th	2
.. 23		277172	Bumper, Rubber	8
.. 24		279822	Washer, Flat .348 Id x 1.500 Od x .062T Stl Pld Blk	8
.. 25		281294	Screw, Shld Stl Sch .312-18 x .375 x .625 Shld Pld	8
.. 26		277421	Assy, User Interface (Figure 17-3)	1
.. 27		281282	Plug Assy, Elect (CT3)	1
.. 28		281576	Screw, 010-32 x .75 Soc Hd-Slt Nylon w/ Stl Pin	2
.. 29		281012	Insulator, Plenum	1
.. 30		229868	Screw, 010 x .65 Pan Hd-Torx Stl Pld Hi-Low	8
.. 31		255006	Washer, Flat Seal .265 Id x 0.500 Od x .125T Epdm	3
.. 32		283555	Label, Danger ArcReach Heater Insulator	1
.. 33		281334	Label, Warning General Precaut Induction (En/Fr/Sp)	1
.. 34		277322	Bracket, Handle Support	2
.. 35		284610	Assy, Tank Cap Support Top	2
.. 36		281333	Label, Danger High Voltage 3.000 x 2.750 (En/Fr/Sp)	1
.. 37		284607	Bracket, Retainer Harting	2
.. 38	C1, C2	288563	Kit, Output Power Assembly	1
		276799	Assy, Output Power ArcReach Heater	1
		288564	Instruction, Field Power Output Assy	1
.. 39		284609	Assy, Tank Cap Support Bottom	1
.. 40		156734	Nut, 010-32 .31Hex .13H Stl Pld Sem Cone Wshr .38D	8
.. 41		277853	Assy, Rear Panel	1
.. 42		146549	Rivet, Plastic .122 Hole x .039-.079 Grip Push	14
.. 43		276843	Panel, Plenum	1
.. 44		284853	Nut, Kiwk 5mm Stud Push-On Nylon Blk	14
.. 45		282989	Insulator, Plenum Cover	1
.. 46	T1	282157	Assy, Planar Xfmr Right	1
.. 47		275598	Bracket, Transformer	1
.. 48	PLG116	278084	Plug Assy, Fan	1
.. 49		281340	Assy, Bus Bar Xfmr Right Side	1
.. 50	CR1	257410	Contacto, 12VDC 1Pst Latching	1
.. 51		278390	Bracket, Fan 50mm	1
.. 52		010913	Washer, Flat .218 Id x 0.460 Od x .031T Brs	11
.. 53		602241	Washer, Flat .281 Id x 0.625 Od x .065T Stl Pld Ansi .250	1
.. 54		265825	Screw, 010-32 x .50 Pan Hd-Torx Stl Pld Lkg Patch	3
.. 55	HD1	191941	Transducer, Current 200A Module Supply V +/- 15V	1

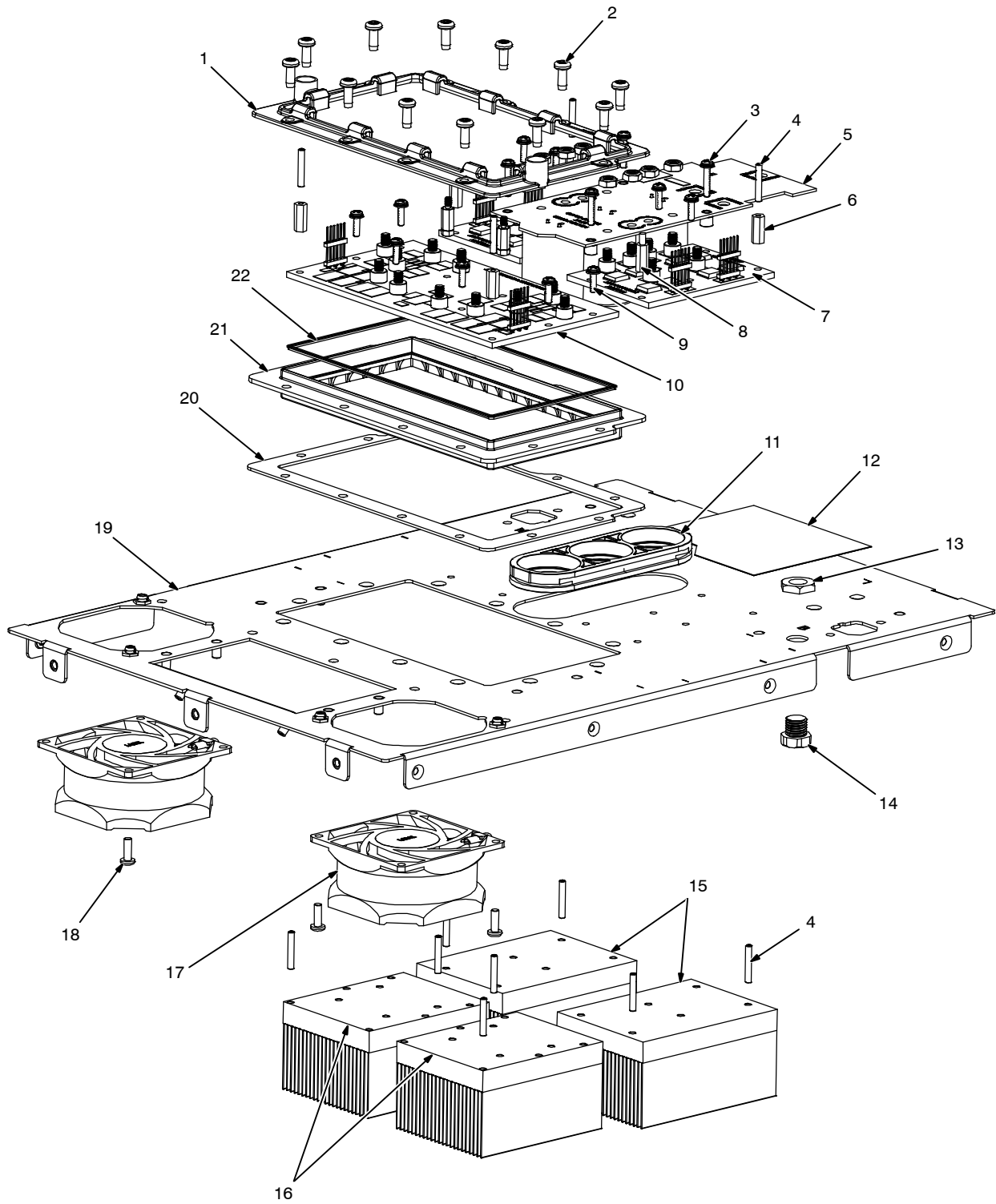
**Eff w/ Serial No. ND420516C And Following**

Item No.	Dia. Mkgs.	Part No.	Description	Quantity
<b>301390</b>				
<b>(CE 301591) Figure 17-1. ArcReach Heater Main Assembly</b>				
.. 56		275496	.. Bus Bar, Current Relay Input	1
.. 57		174076	.. Nut 006-32 .31Hex .15H Stl Pld Sem Cone Wshr .38D	9
.. 58		026947	.. Stand-Off, Insul .250-20 x 1.000 Lg x .312 Thd	1
.. 59		282140	.. Insulator, Output Inductor	2
.. 60		280710	.. Spacer, Al .192 Id x .375 Od x .500 Lg	8
.. 61	L1-L2	284473	.. Inductor, Output .650 mH	2
.. 62		285573	.. Bracket, Output Inductor	2
.. 63		284993	.. Nut, 010-32 .38Hex .171H Zc Pl Stl Elastic Stop	27
.. 64		250039	.. Insulator, Bulkhead Rear .890 Od	2
.. 65		185714	.. Washer, Tooth 22mm Id x 31.5mm Od 1.310-1mmT Intern	2
.. 66		185717	.. Nut, M20-1.5 1.00Hex .19H Brs Locking	2
.. 67		253430	.. Connector, Faston 1/4 Ring w/45Deg Bend .406 Id	2
.. 68		229333	.. Screw, M10-1.5 x 20Hex hd-Pln 8.8 Pld Sems	2
.. 69	FM3	262612	.. Fan, Muffin 24Vdc 7000 Rpm 18 Cfm 50mm	2
.. 70		281341	.. Assy, Bus Bar Xfmr Left Side	1
.. 71	T2	282156	.. Assy, Planar Xfmr Left	1
.. 72		278498	.. Insulator, Xfmr Connections	4
.. 73		288159	.. Kit, Circuit Card PC1 CSA	1
	PC1	295272	.. Circuit Card Assy, Heater Control w/Program CSA	1
		292012	.. Core, Ferrite 9.50mm Od x 5.10mm Id x 19.05 Lg	2
.. 74		295350	.. Kit, Circuit Card PC1 CE	1
	PC1	295351	.. Circuit Card Assy, Heater Control w/Program CE	1
		292012	.. Core, Ferrite 9.50mm Od x 5.10mm Id x 19.05 Lg	2
.. 75		281565	.. Insulator, Control Board	1

+When ordering a component originally displaying a precautionary label, the label should also be ordered.

**To maintain the factory original performance of your equipment, use only Manufacturer's Suggested Replacement Parts. Model and serial number required when ordering parts from your local distributor.**

 Hardware is common and not available unless listed.



277681-B

Figure 17-2. ArcReach Heater Internal Panel Assembly

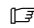
## Eff w/ Serial No. ND420516C And Following

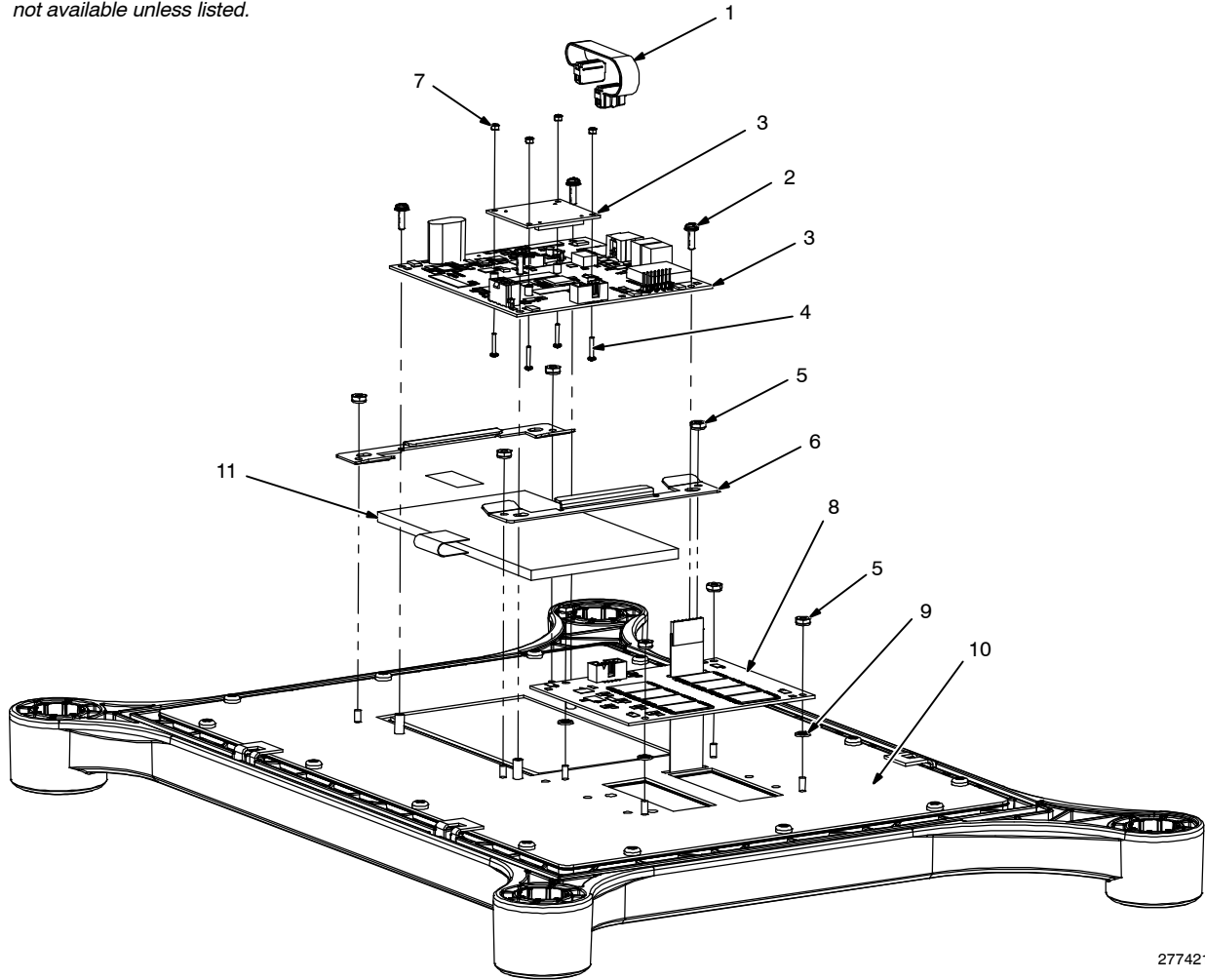
Item No.	Dia. Mkgs.	Part No.	Description	Quantity
<b>277681 Figure 17-2. ArcReach Heater Internal Panel Assembly</b>				
.. 1		277504	Retainer, Heat Sink	1
.. 2		281134	Screw, 010-32 x .50 Pan Hd-Torx Stl Tri-Lobe Pld Blk	12
.. 3		196014	Screw, 006-32 x .75 Pan Hd-Phl Square Cone Sems Clr	2
.. 4		280543	Screw, Set #6-32 x .87 Cup Pt Soc Hd-Hex Pld	12
.. 5	PC2	271650	Circuit Card Assy, Fc Heater Power Input	1
.. 6		073756	Stand-Off, No 6-32 x .625 Lg .250 Hex Al Fem	4
.. 7	PC3, PC4	271523	Circuit Card Assy, Fc Heater Pwr Intrcnct	2
.. 8		212367	Stand-Off, No 6-32 x .625 Lg .250 Hex Stl M&F	2
.. 9		272529	Screw, No 6-32 x 1/2 Ph Pan Hd w/Sqco Zc Sems	10
.. 10	PC5	273365	Circuit Card Assy, Heater Output Bridge	1
.. 11		277424	Gasket, Bus Cap	1
.. 12		278509	Insulator, Input Connection	1
.. 13		286476	Nut, M12-1.5 Blk Gf Nylon	1
.. 14		286471	Vent, Breather M12-1.5	1
.. 15		275488	Heat Sink, Power Interconnect	2
.. 16		275487	Heat Sink, Output Bridge	2
.. 17	FM1, FM2	269556	Fan, Muffin 24Vdc 9000 Rpm 132 Cfm 80mm	2
.. 18		143360	Screw, 008-32 x .50 Pan Hd-Phl Stl Pld Blk	4
.. 19		280753	Panel, Internal w/Pems	1
.. 20		280964	Gasket, Output Bridge Frame	1
.. 21		277503	Insulator, Heat Sink	1
.. 22		277422	Gasket, Output Bridge	1

+When ordering a component originally displaying a precautionary label, the label should also be ordered.

**To maintain the factory original performance of your equipment, use only Manufacturer's Suggested Replacement Parts. Model and serial number required when ordering parts from your local distributor.**

# Eff w/ Serial No. ND420516C And Following

 Hardware is common and not available unless listed.



277421-A

**Figure 17-3. ArcReach Heater User Interface Assembly**

Item No.	Dia. Mkgs.	Part No.	Description	Quantity
<b>277421 Figure 17-3. ArcReach Heater User Interface Assembly</b>				
.. 1	..	254529	.. Cable, Ribbon 10 Posn 5.000 in. Skts To Skts	1
.. 2	..	272529	.. Screw, No 6-32 x 1/2 Ph Pan Hd w/Sqco Zc Sems	4
.. 3	.. PC7,PC8	289048	.. Kit, Heater Circuit Card PC7 And PC8 (Must provide serial number)	1
.. 4	..	285658	.. Screw, M2-.4 x 12 Pan Hd Phl Stl Pld	4
.. 5	..	174076	.. Nut, 006-32 .31Hex .15H Stl Pld Sem Cone Wshr .38D	8
.. 6	..	284608	.. Bracket, Retainer LCD	2
.. 7	..	285659	.. Nut, M02-0.4 Zinc Pld Nylon Insert Locking	4
.. 8	.. PC6	289139	.. Kit, Heater PC6 LED Circuit Card Replacement	1
.. 9	..	277395	.. Washer, Nylon Slf Rtnng .128 Id x .328 Od .022 Thk	4
.. 10	..	189140	.. Kit, Heater Front Panel Assy Replacement	1
.. 11	..	289138	.. Kit, Heater LCD Display Replacement	1

+When ordering a component originally displaying a precautionary label, the label should also be ordered.

**To maintain the factory original performance of your equipment, use only Manufacturer's Suggested Replacement Parts. Model and serial number required when ordering parts from your local distributor.**









# Owner's Record

Please complete and retain with your personal records.

---

Model Name	Serial/Style Number
Purchase Date	(Date which equipment was delivered to original customer.)
Distributor	
Address	
City	
State	Zip

---

Register your product at [www.millerwelds.com/support/product-registration](http://www.millerwelds.com/support/product-registration)

## For Service

**Contact a DISTRIBUTOR or SERVICE AGENCY near you.**

Always provide Model Name and Serial/Style Number.

---

Contact your Distributor for:	Welding Supplies and Consumables
	Options and Accessories
	Personal Protective Equipment (PPE)
	Service and Repair
	Replacement Parts
	Training (Schools, Videos, Books)
	Welding Process Handbooks
	To locate a Distributor or Service Agency visit <a href="http://www.millerwelds.com">www.millerwelds.com</a> or call 1-800-4-A-Miller

---

Contact the Delivering Carrier to:	File a claim for loss or damage during shipment.
	For assistance in filing or settling claims, contact your distributor and/or equipment manufacturer's Transportation Department.

---

### Miller Electric Mfg. LLC

An Illinois Tool Works Company  
1635 West Spencer Street  
Appleton, WI 54914 USA

### International Headquarters-USA

USA Phone: 920-735-4505 Auto-Attended  
USA & Canada FAX: 920-735-4134  
International FAX: 920-735-4125

For International Locations Visit  
[www.MillerWelds.com](http://www.MillerWelds.com)

