

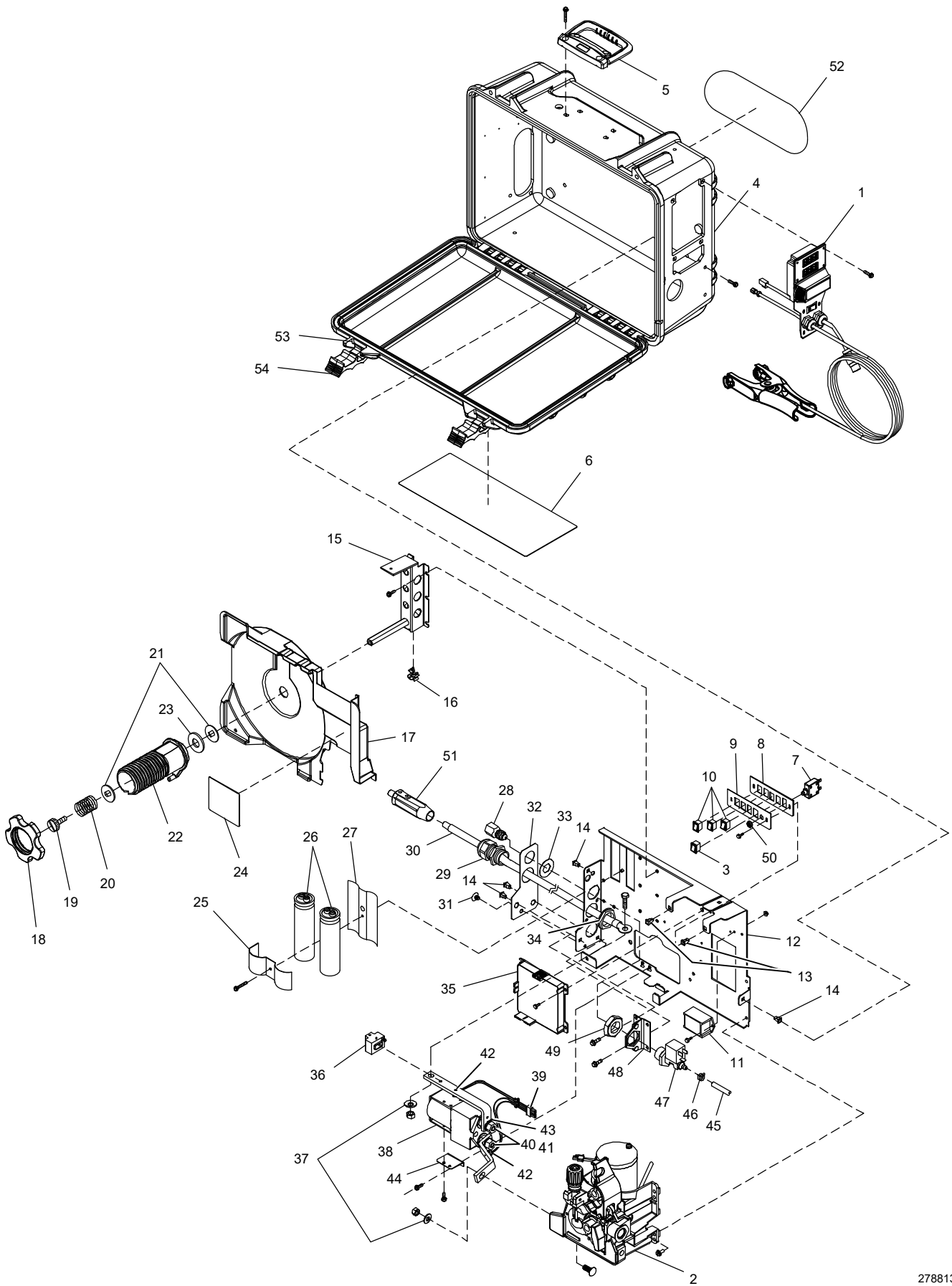


ArcReach SuitCase 12

Effective with Serial Number
MH096069U - ZZ222222



PARTS MANUAL



Complete Assembly

278813-C

Complete Assembly

Item No.	Dia. Mkgs.	Part No.	Description	Qty	
1			Front Panel Assembly with Meters	1	
2			Drive Assembly, Wire	1	
3	S2	266614	Switch, Rocker Spdt 8A 125VAC (On)-Off-(On) .187T	1	
4		258330	Case, Feeder Machined Blk W/Inserts 12VS ArcReach	MH096069U - ND443150V	1
4		289932	Case, Feeder	ND443151V - ZZ222222Z	1
5		208015	Handle, Rubberized Carrying	MH096069U - NA323151U	1
5		276345	Handle, Rubberized Carrying	NA323152U - ZZ222222Z	1
6		279633	Label, Warning/Miller ArcReach SuitCase 12 Side		1
7	CB1	083432	Supplementary Pro, Man Reset 1p 10A 250Vac Frict		1
8		255703	Panel, Inner SCII Std Breaker		1
9		257773	Plate, Inner ArcReach Standard Breaker		1
10	S3, S4, S6	217932	Switch, Rocker Spst .4VA 28VDC On-None-Off .187 Ter		3
11	PC23	257190	Module, ArcReach Series Resonant L-C Coupler		1
12		252177	Chassis, Control Box		1
13		256594	Grommet, Scr No 8/10 Panel Hole .309x.315 .125H		2
14		256595	Grommet, Scr No 8/10 Panel Hole .270x.290 .062H		5
15		222103	Support, Spool		1
16		222294	Clip, Wire/Cord .380 Bundle .250Hole .105 Thk Blk		2
17		252186	Shroud, Wire		1
18		235607	Nut, Hub		1
19		237843	Knob, Brake Adjust		1
20		172918	Spring		1
21		231211	Washer, Anti-Turn		2
22		235608	Hub, Spool 12 Inch		1
23		058424	Washer, Fiber (Brake)		1
24		261688	Label, Warning Electric Shock And Pinch Wordless		1
25		210133	Bracket, Capacitor Support SC12		1
26	C1, C2	200606	Capacitor, Elctlt 1200 Uf 300 VDC Can 1.39 Dia		2
27		207678	Insulator, Capacitors		1
28		211989	Fitting, W/Screen		1
29		215980	Bushing, Strain Relief .709/.984 Id x 1.375 Mtg Hole		1
30		221346	Lead List, Large		1
		600324	Cable, Weld Cop Strd No 4/0 Ep Rubber Jacket 600V		22
		009800	Term, Ring Tng 375 Stud Solistrand 4/0		1
31		259416	Blank, Snap-In Nyl .250 Mtg Hole x.700Hdx.100Hd Ht		1
32		252194	Insulator, Rear Panel		1
33		252196	Bushing Gas Valve Opening		1
34		234126	Nut, Conduit 1.000 Npt Knurled		1
35	PC1	238276	Circuit Card Assy, Motor Control W/Program		1
36	HD1	218339	Transducer, Current 600A Module Supply V +5V		1
37		183387	Washer, Cone .380 Id x .860 Od x .109T Stl Pld 4000lbs		2
38	W1	255627	Contactorm Assembly	MH096069U - MH403124V	1
38	W1	280844	Contactorm Assembly	MH403125V - ZZ222222Z	1

*Recommended Spare Parts ~ Optional ↓ Item includes other parts. → Item is part of a subassembly.

+ When ordering a component originally displaying a precautionary label, the label should also be ordered.

Hardware is common and not available unless listed.

To maintain the factory original performance of your equipment, use only Manufacturer's Suggested Replacement Parts. Model and serial number required when ordering parts from your local distributor.

Complete Assembly

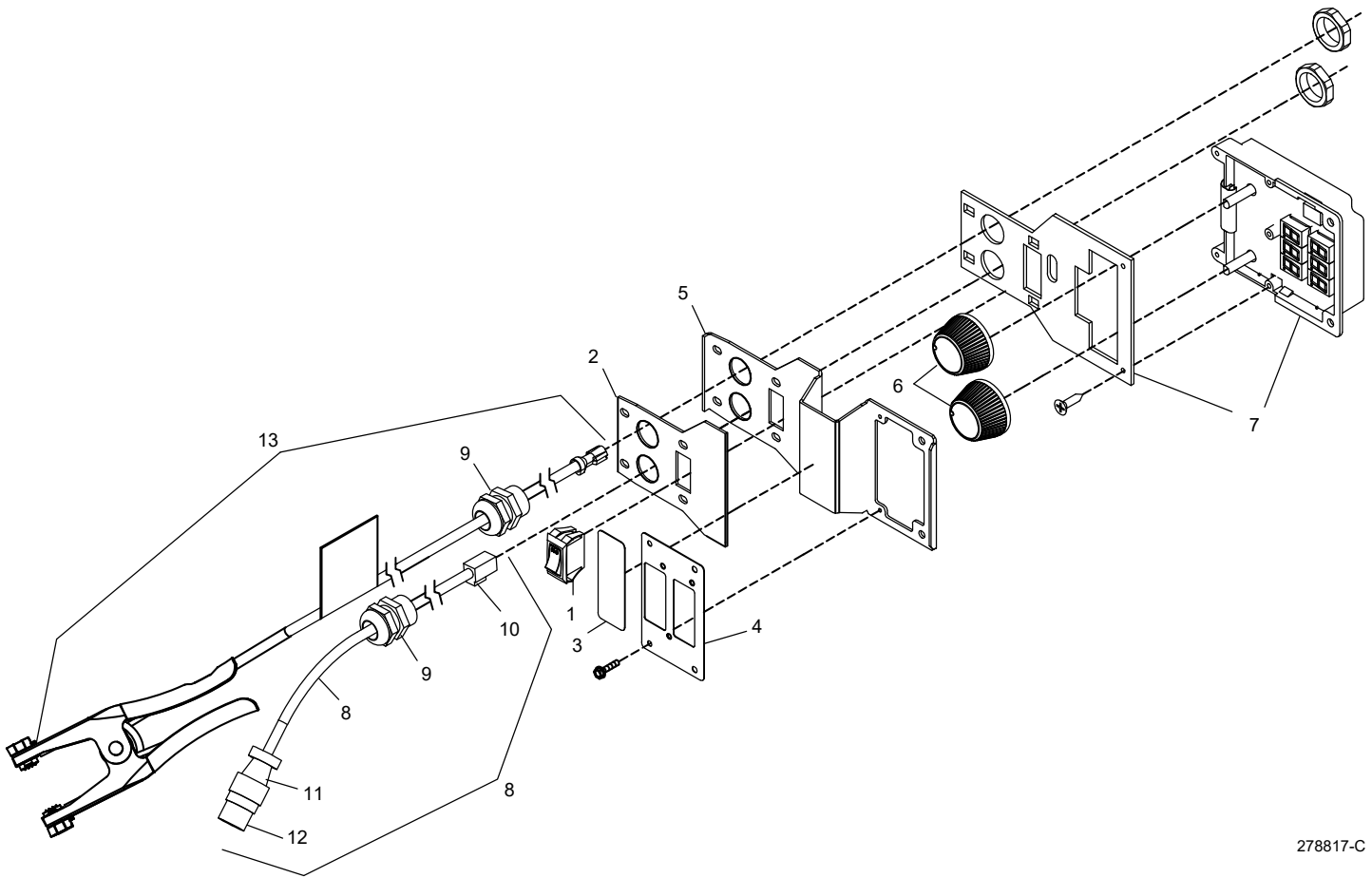
Item No.	Dia. Mkgs.	Part No.	Description	Qty	
39	PLG5	201665	Housing Plug + Skts (Service Kit)	1	
40		183387	Washer, Cone .380 Id x .860 Od x .109T Stl Pld 4000lbs	2	
41		232295	Nut, M10-1.5 17Hex 10H Stl	2	
42	TP1, TP2	230471	Thermostat, NC Open 140C Close 110C Snap Action	2	
43		253430	Connector, Faston 1/4 Ring w/45Deg Bend 406 Id	1	
44		252252	Bracket, Mtg Contactor	1	
45		134834	Hose, SAE .187 Id x .410 Od xcoil	22	
46		149332	Clamp, Hose .405 - .485 Clp Dia Slftng Olive Dra	2	
47	GS1	226819	Valve, 12VDC 1Way .750-14 Thd 2MM Orf 100PSI	1	
48		252254	Bracket, Gas Valve	1	
49		220805	Nut, 750-14 Nps 148Hex 41H Nyl	MH096069U - NA443002U	1
49		272186	Nut, 750-14 Nps 1312Hex 413H Nyl	NA443003U - ZZ222222Z	1
50		147195	Nut, .375-27 .54hex 25h Nyl Flange 62d	1	
51		242250	Conn, TW LK Insul Male (Tweco/Lenco Type) HD 3/0-4/0	1	
		279671	Label, Warning General Precautionary (EN/FR/SP-SYM)	1	
52		279856	Label, Miller 10.000 X 4.227 Horizontal (Wht/Blk)	1	
53		219213	Latch, Pin Case	2	
54		246485	Latch, Case	2	
	PLG3, 25	115093	Housing Plug+Pins (Service Kit)	2	
	PLG4	131054	Housing Rcpt + Skts, (Service Kit)	1	
	PLG5	201665	Housing Plug + Skts (Service Kit)	1	
	PLG7	130203	Housing Plug+Pins (Service Kit)	1	
	PLG8	115091	Housing Plug+Pins (Service Kit)	1	
	PLG9, 21	131055	Housing Rcpt+Skts, (Service Kit)	2	
	PLG10	131052	Housing Rcpt+Skts, (Service Kit)	1	
	PLG17	222397	Housing Plug+Skts, (Service Kit)	1	
	PLG22	115092	Housing Plug+Pins (Service Kit)	1	
	PLG23	208730	Housing Plug+Skts, (Service Kit)	1	
	PLG24	131204	Housing Plug + Skts, (Service Kit)	1	
	PLG111	256953	Housing Plug+Skts, (Service Kit)	1	
	RC25	131059	Housing Plug+Pins, (Service Kit)	1	

*Recommended Spare Parts ~ Optional ↓ Item includes other parts. → Item is part of a subassembly.

+ When ordering a component originally displaying a precautionary label, the label should also be ordered.

Hardware is common and not available unless listed.

To maintain the factory original performance of your equipment, use only Manufacturer's Suggested Replacement Parts. Model and serial number required when ordering parts from your local distributor.



278817-C

Front Panel Assembly with Meters

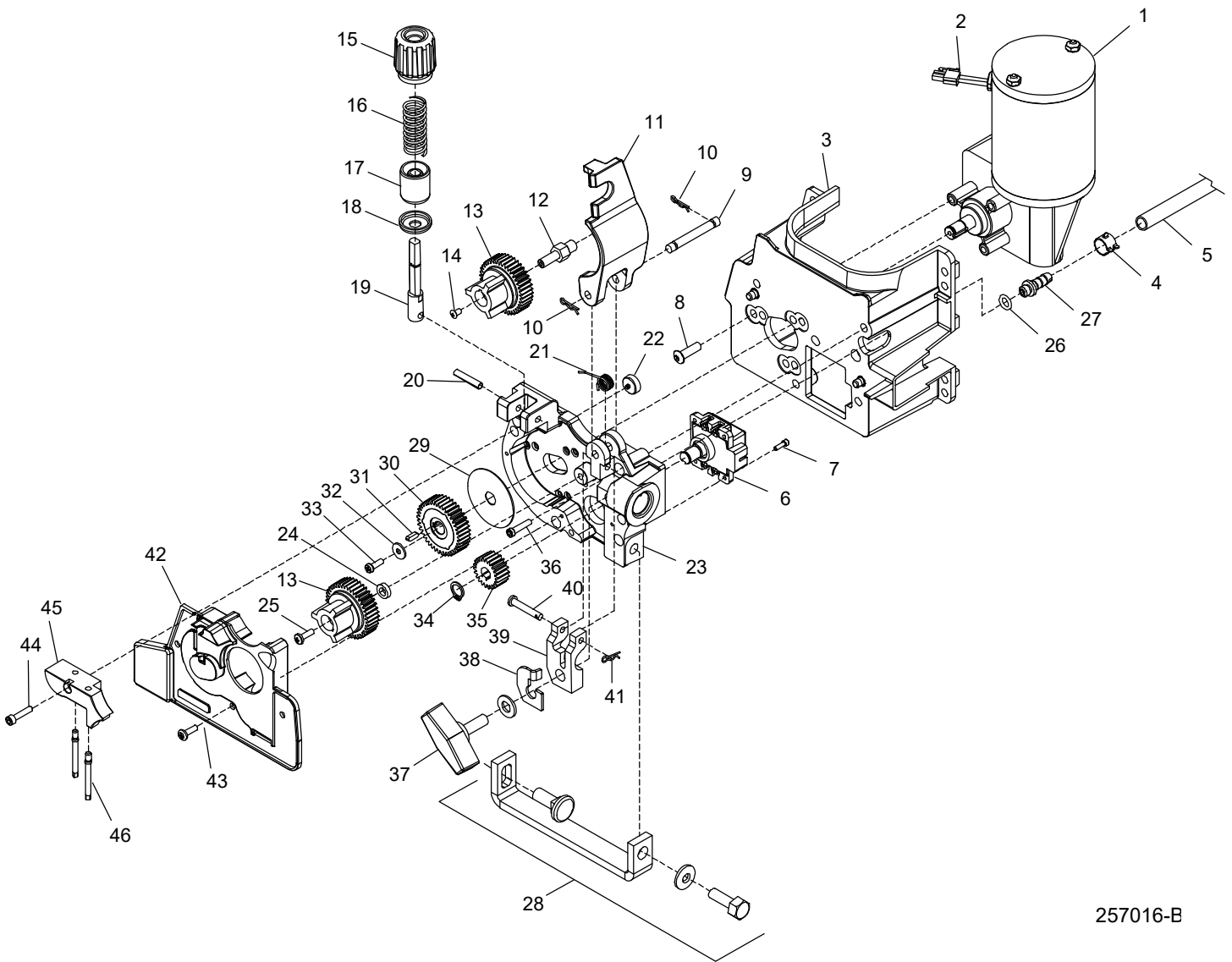
Item No.	Dia. Mkgs.	Part No.	Description	Qty	
1	S1	267296	Switch, Rocker SPST 15A 250VAC On-Off Visi Red Rock	1	
2			Nameplate, SC ArcReach HDD Lower (Order by Model and Serial No.)	1	
3		271367	Label, Bezel ArcReach	1	
4		277793	Lens, Suitcase ArcReach W/Polarity	1	
5		257187	Panel, Front ArcReach	1	
6		277753	Knob, Tapered 1.00/1.500 Dia X .90H X .250ID	2	
7	PC22	276992	Circuit Card Assy, Meter ArcReach W/Tray	MH096069U - ND103070V	1
7	PC22	293639	Circuit Card Assy, Meter ArcReach W/Tray	ND103071V - ND383071V	1
7	PC22	294524	Circuit Card Assy, Meter ArcReach w/Tray	ND383072V - ZZ222222V	1
8		252262	Cable, Trigger 25 in. W/ Strain Relief	1	
9		139042	Bushing, Strain Relief .270/.470 Id x .804 Mtg Hole	2	
10	PLG6	115094	Housing Plug + Skts, (Service Kit)	1	
11		048834	Clamp, Circ	1	
12	RC2	080328	Rcpt w/Skts, Free Hanging	1	
		604571	Cable, Port No 18 4/C Type Sjo Nprn Jkt Re	25	
13		296451	Cable, Sensing W/Strain Relief	16	

*Recommended Spare Parts ~ Optional ↓ Item includes other parts. → Item is part of a subassembly.

+ When ordering a component originally displaying a precautionary label, the label should also be ordered.

Hardware is common and not available unless listed.

To maintain the factory original performance of your equipment, use only Manufacturer's Suggested Replacement Parts. Model and serial number required when ordering parts from your local distributor.



257016-B

Wire Drive Assembly

Wire Drive Assembly

Item No.	Dia. Mkgs.	Part No.	Description	Qty
1	M1	252214	Motor, Right Angle 24VDC	1
2	PLG4	131054	Housing Rcpt + Skts, (Service Kit)	1
3		252229	Insulator, Motor/Drive/Tach	1
4		149332	Clamp, Hose .405 - .485 Clp Dia Sifftng Olive Dra	1
5		134834	Hose, SAE .187 Id x .410 Od xcoil	22
6		263858	Module, Tach Service	1
7		231181	Screw, 004-40x .37 Soc Hd-Hex Stl Pld	4
		256035	Casting Assembly, Drive	1
8		174610	Screw, M 6-1.0x 20 Soc Hd Button Cap Blk	3
9		079634	Pin, Hinge	1
10		151828	Pin, Cotter Hair 0.42 x .750	3
11		252235	Lever, Mtg Pressure Gear Machined	1
12		252238	Stand-Off, Drive Roll Carrier	1
13		172075	Carrier, Drive Roll w/Components 24 Pitch	2
14		228562	Screw, 006-32 x .25 Pan Hd-Pln W/Ext Washer (Sems) Stl	1
15		196895	Knob, Tension	1
16		252243	Spring, Cprsn Big	1
17		241856	Cup, Spring	1
18		085244	Washer, Cupped .328 Id x .812 Od x 16Ga x .125 Li	1
19		267899	Fastener, Pinned Machined	1
20		010224	Pin, Spring CS .187 x 1.000	1
21		222159	Spring, Torsion	1
22		253655	Insulator, Screw Motor	3
23		253513	Housing, Wire Drive	1
24		166072	Spacer, Gear	1
25		273794	Screw, 250-20x1.38 Soc Hd-Hex Gr8 Pln	1
26		264611	O-Ring, .187 Id x .312 Od x .063 Cs 75 Duro Fluor	1
27		144172	Ftg, Hose Brs Barbed M 3/16 TBG x .250-20	1
28		263877	Wire Drive Bus Bar (Service Kit)	1
		259857	Screw, 375-16x .87 Hex Hd-Pln Gr5 Pld Blk	1
		231223	Nut, 375-16 .56Hex .34H Stl Pld Clr	1
		183387	Washer, Cone .380 Id x .860 Od x .109T Stl Pld 4000lbs	2
		252232	Bolt, Crg Stl .375-16 x 1.000 Gr5 Pl Fhsh	1
29		252230	Grommet, Motor Shaft	1
30		252786	Drive, Pinion 10mm Shaft	1
31		252220	Key, Stl 3mm/3mm x 10mm	1
32		602237	Washer, Flat .172 Id x 0.500 Od x .048T Stl Pld Blk	1
33		174609	Screw, M 4- .7x 12 Cheese Hd Blk Din 84	1
34		133308	Ring, Rtnng Ext .375 Shaft x .025 Thk	1
35		168825	Drive, Pinion Sntr 22T 24P .376 Bore	1
36		252222	Screw, 010-32x .75 Soc Hd-Hex Stl Gr8 Pld Lkg Patch	4
37		124778	Knob, T 2.000 Bar w/.312-18 Stud 1.000 Lg Plstc	1
38		237188	Lock, Pin Power	1

*Recommended Spare Parts ~ Optional ↓ Item includes other parts. → Item is part of a subassembly.

+ When ordering a component originally displaying a precautionary label, the label should also be ordered.

Hardware is common and not available unless listed.

To maintain the factory original performance of your equipment, use only Manufacturer's Suggested Replacement Parts. Model and serial number required when ordering parts from your local distributor.

Wire Drive Assembly

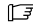
Item No.	Dia. Mkgs.	Part No.	Description		Qty
39		234074	Clamp, Pin Power	MH096069U - MJ103076V	1
39		278295	Clamp, Power Pin Cast	MJ103077V - ZZ222222Z	1
40		234073	Pin, Hinge		1
41		151828	Pin, Cotter Hair 0.42 x .750		3
42		252785	Cover, Gear		1
43		258838	Screw, 008-32x .37 Pan Hd-Plt Stl Pld Zc Lkg Patch		3
44		604432	Screw, 008-32 x 1.00 Soc Hd-Hex Gr8 Pln	MJ103077V - ZZ222222Z	1
44		253404	Screw, 008-32x .75 Soc Hd-Hex Stl Pld Lkg Patch	MH096069U - MJ103076V	1
45		252322	Block, Wire Inlet Guide		1
46		252323	Pin, Wire Inlet Guide		2

*Recommended Spare Parts ~ Optional ↓ Item includes other parts. → Item is part of a subassembly.

+ When ordering a component originally displaying a precautionary label, the label should also be ordered.

Hardware is common and not available unless listed.

To maintain the factory original performance of your equipment, use only Manufacturer's Suggested Replacement Parts. Model and serial number required when ordering parts from your local distributor.

 Base Selection Of Drive Rolls Upon The Following Recommended Usages:

1. V-Grooved Rolls For Hard Wire.
2. U-Grooved Rolls For Soft And Soft Shelled Cored Wires.
3. U-Cogged Rolls For Extremely Soft Shelled Wires (Usually Hard Surfacing Types).
4. V-Knurled Rolls For Hard Shelled Cored Wires.
5. Drive Roll Types May Be Mixed To Suit Particular Requirements (Example: V-Knurled Roll In Combination With U-Grooved).

Wire Diameter			Drive Roll (2 Required)	
Fraction	Decimal	Metric	Part No.	Type
0.023-0.025 in.	0.023-0.025 in.	0.6 mm	087130	V-Grooved
0.030 in.	0.030 in.	0.8 mm	053695	V-Grooved
0.035 in.	0.035 in.	0.9 mm	053700	V-Grooved
0.040 in.	0.040 in.	1.0 mm	053696	V-Grooved
0.045 in.	0.045 in.	1.2 mm	053697	V-Grooved
0.052 in.	0.052 in.	1.3 mm	053698	V-Grooved
1/16 in.	0.062 in.	1.6 mm	053699	V-Grooved
0.035 in.	0.035 in.	0.9 mm	072000	U-Grooved
0.045 in.	0.045 in.	1.2 mm	053701	U-Grooved
0.052 in.	0.052 in.	1.3 mm	053702	U-Grooved
1/16 in.	0.062 in.	1.6 mm	053706	U-Grooved
5/64 in.	0.079 in.	2.0 mm	053704	U-Grooved
0.035 in.	0.035 in.	0.9 mm	132958	V-Knurled
0.045 in.	0.045 in.	1.2 mm	132957	V-Knurled
0.052 in.	0.052 in.	1.3 mm	132956	V-Knurled
1/16 in.	0.062 in.	1.6 mm	132955	V-Knurled
0.068-0.072 in.	0.068-0.072 in.	1.8 mm	132959	V-Knurled
0.079 in.	0.079 in.	2.0 mm	132960	V-Knurled
0.045 in.	0.045 in.	1.2 mm	083489	U-Cogged
0.052 in.	0.052 in.	1.3 mm	083490	U-Cogged
1/16 in.	0.062 in.	1.6 mm	053708	U-Cogged
5/64 in.	0.079 in.	2.0 mm	053710	U-Cogged

S-0859