

TUFF TORQ

TRANSAXLE PARTS LIST

DECISION 02325M
ISSUED 22 MAR. 1994

model E0140-K70A
& E0188-K70B



Page Intentionally Left Blank

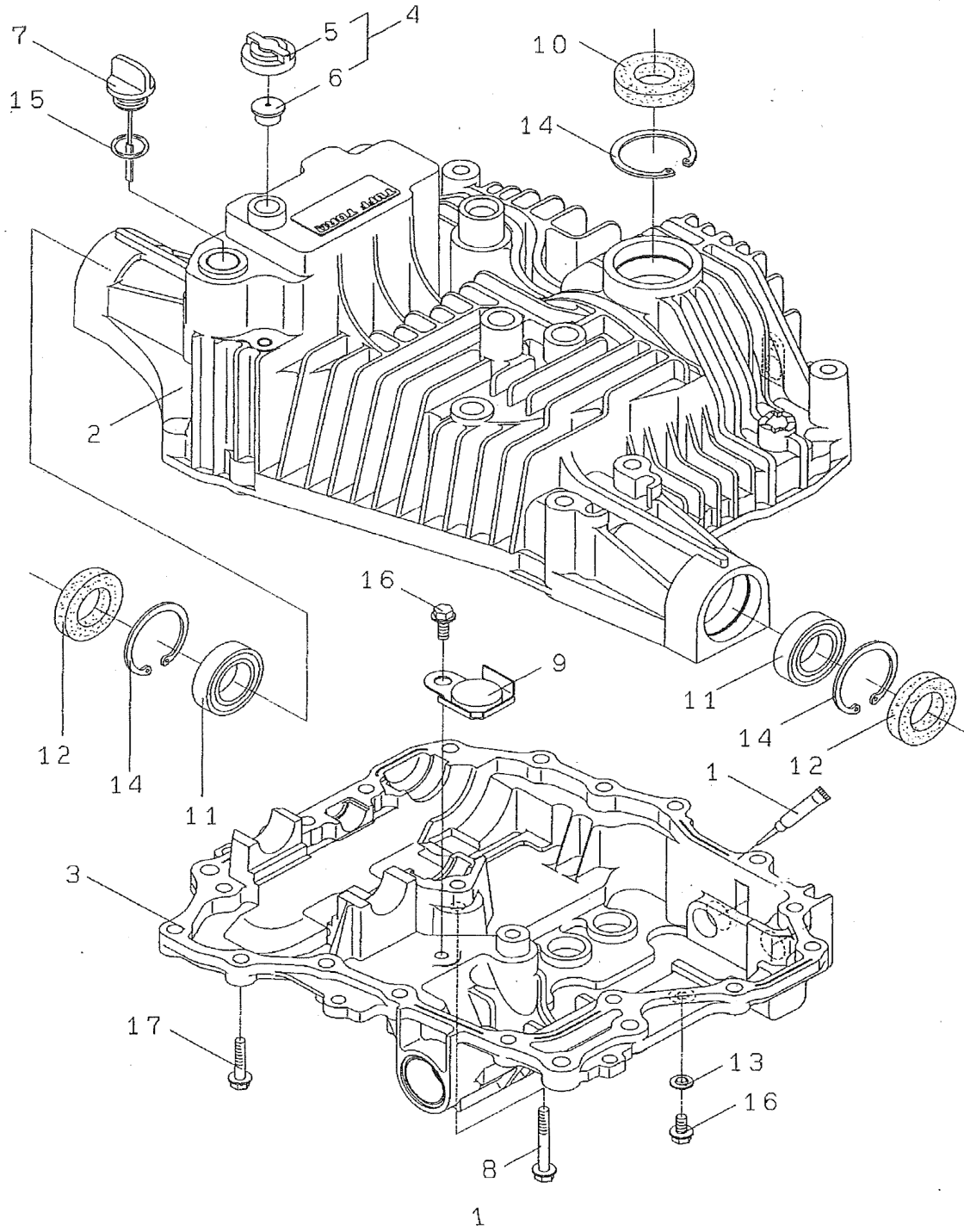


CONTENTS

	Page
1. TRANSAXLE CASE ASSY	4
2. TRANSAXLE CASE ASSY	6
3. CENTER CASE ASSY	8
4. FILTER ASSY	10
5. PUMP SHAFT ASSY	12
6. MOTOR SHAFT ASSY	14
7. POWER PUMP ASSY	16
8. POWER PUMP ASSY	18
9. RANGE SHIFT ASSY	20
10. BYPASS RETURN ASSY	22
11. LEVER DAMPER ASSY	24
12. N-CENTERING ASSY	26
13. BRAKE INTERLOCK ASSY.....	28
14. DIFF. GEAR ASSY	30
15. FINAL PINION ASSY	32
16. AXLE SHAFT ASSY	34
17. BRAKE ASSY	36



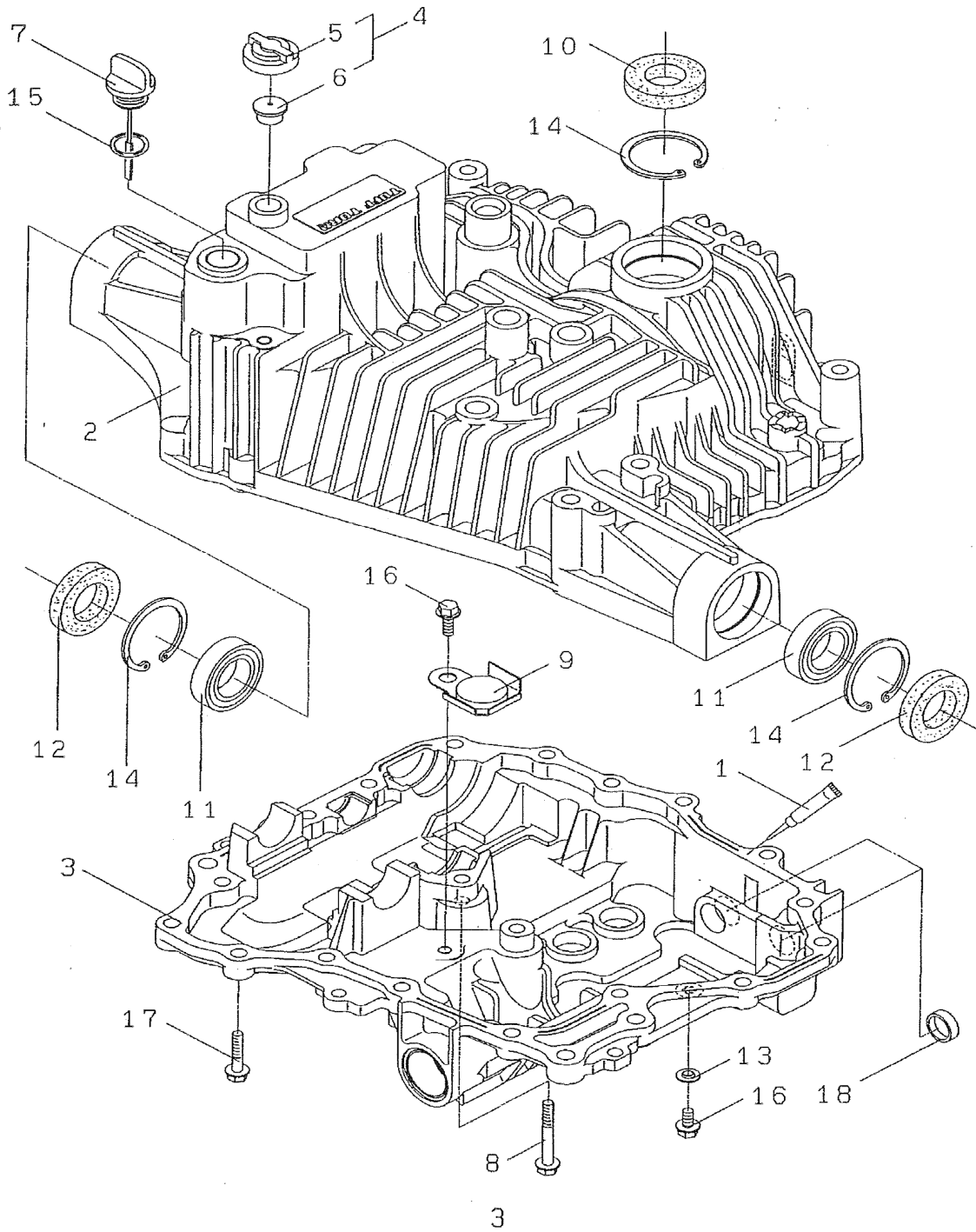
FIG. 1 TRANSAXLE CASE ASSY



EO140 > K70A		
ref. no.	Description	TTC PART #
1-1	sealant	1A646099500
1-2	UPPER HOUSING	NO LONGER AVAILABLE
1-3	LOWER HOUSING	NO LONGER AVAILABLE
1-4	VENT VALVE	168T2024250
1-7	CAP 20*72	19216724280
1-8	BOLT	1A632010310
1-9	MAGNET	19215424360
1-10	seal 17*47*8	19216725260
1-11	BEARING 25.4*47*12	19216734140
1-12	axle seal	187Q0134260
1-13	WASHER SEAL 8	22190080000
1-14	RING 47	22252000470
1-15	o-ring P18	24311000180
1-16	DRAIN BOLT	168T2010010
1-17	TAPPING SCREW 8*30	26476080302



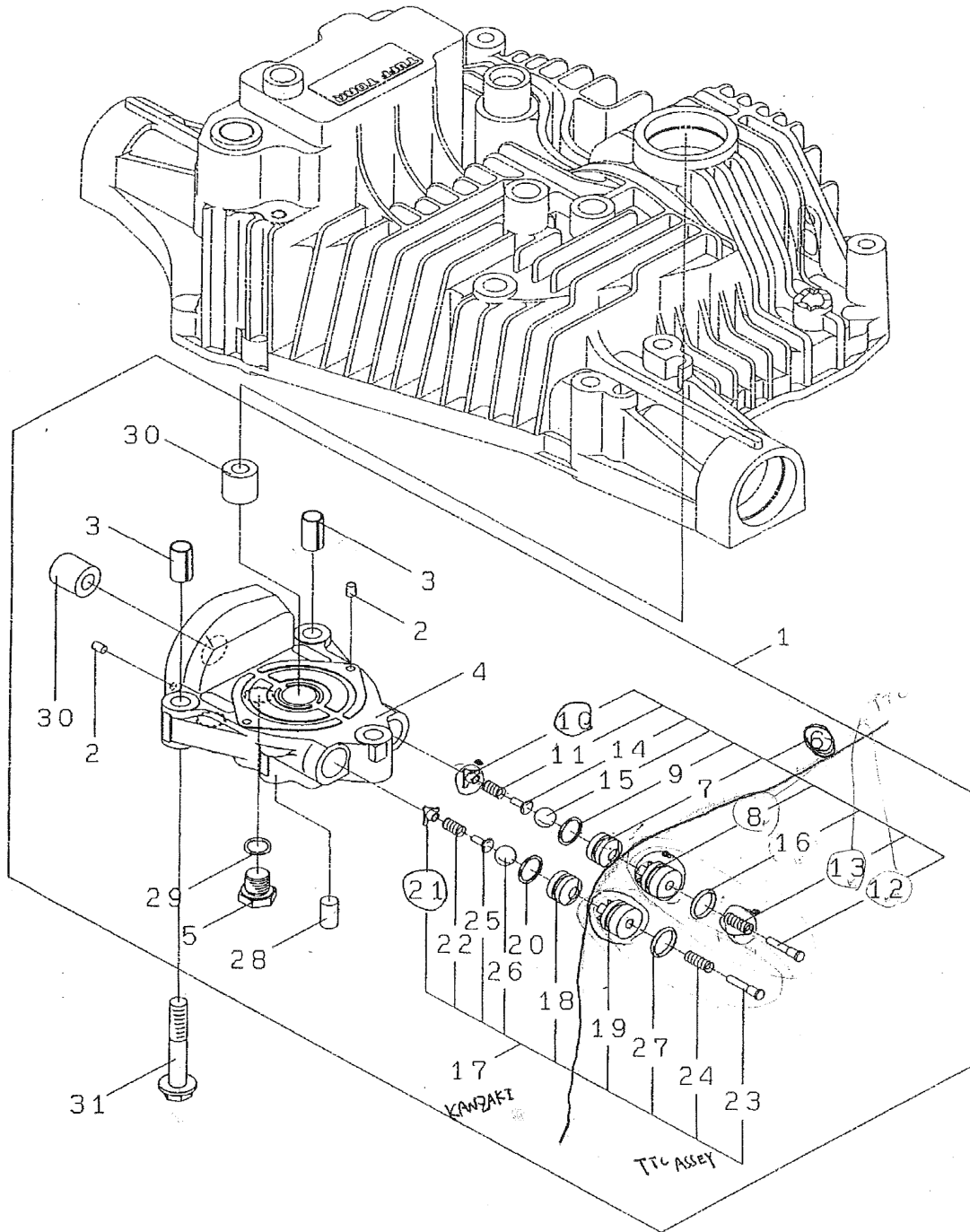
FIG. 2 TRANSAXLE CASE ASSY



EO188 > K70B		
ref. no.	Description	TTC PART #
2-1	sealant	1A646099500
2-2	UPPER HOUSING	NO LONGER AVAILABLE
2-3	LOWER HOUSING	NO LONGER AVAILABLE
2-4	VENT VALVE	168T2024250
2-7	CAP 20*72	19216724280
2-8	BOLT	1A632010310
2-9	MAGNET	19215424360
2-10	seal 17*47*8	19216725260
2-11	BEARING 25.4*47*12	19216734140
2-12	axle seal	187Q0134260
2-13	WASHER SEAL 8	22190080000
2-14	RING 47	22252000470
2-15	o-ring P18	24311000180
2-16	DRAIN BOLT	168T2010010
2-17	TAPPING SCREW 8*30	26476080302
2-18	SEALING CAP 20	27260200000



FIG. 3 CENTER CASE ASSY



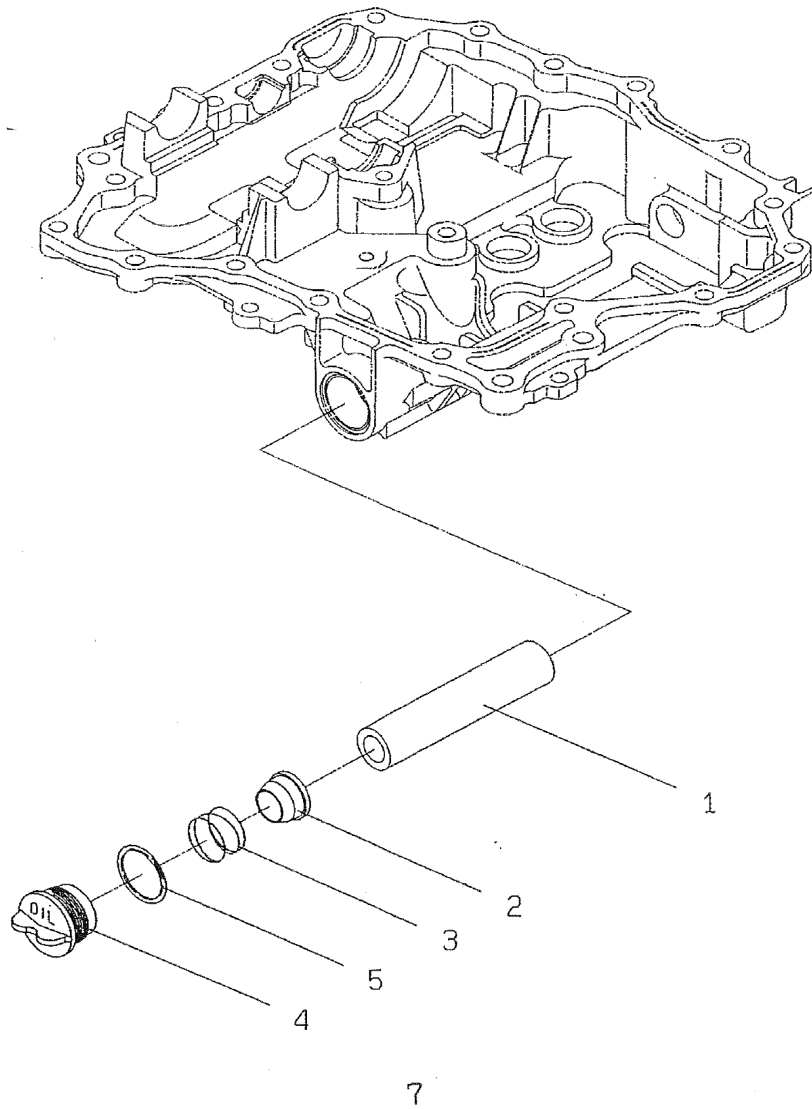
5



K70A & B		
ref. no.	Description	TTC PART #
3-1	center case	NO LONGER AVAILABLE
3-2	knock pin 3.5	19216324420
3-3	knock pin	NO LONGER AVAILABLE
3-4	center case	NO LONGER AVAILABLE
3-5	plug	NO LONGER AVAILABLE
3-6	valve	NO LONGER AVAILABLE
3-7	body bypass	NO LONGER AVAILABLE
3-8	body bypass	NO LONGER AVAILABLE
3-9	packing 1015	187K0824940
3-10	holder	NO LONGER AVAILABLE
3-11	spring	NO LONGER AVAILABLE
3-12	push pin	NO LONGER AVAILABLE
3-13	spring push pin	NO LONGER AVAILABLE
3-14	holder	NO LONGER AVAILABLE
3-15	ball	NO LONGER AVAILABLE
3-16	packing 1017	NO LONGER AVAILABLE
3-17	valve	NO LONGER AVAILABLE
3-18	body bypass	NO LONGER AVAILABLE
3-19	body bypass	NO LONGER AVAILABLE
3-20	packing 1015	187K0824940
3-21	holder	NO LONGER AVAILABLE
3-22	spring	NO LONGER AVAILABLE
3-23	push pin	NO LONGER AVAILABLE
3-24	spring push pin	NO LONGER AVAILABLE
3-25	holder	NO LONGER AVAILABLE
3-26	ball 3/8	24190120001
3-27	o-ring 1A 1017	24351010170
3-28	pin 8*14	NO LONGER AVAILABLE
3-29	packing p-14	NO LONGER AVAILABLE
3-30	bushing 8*15	NO LONGER AVAILABLE
3-31	CENTER CASE BOLT	187T0010060



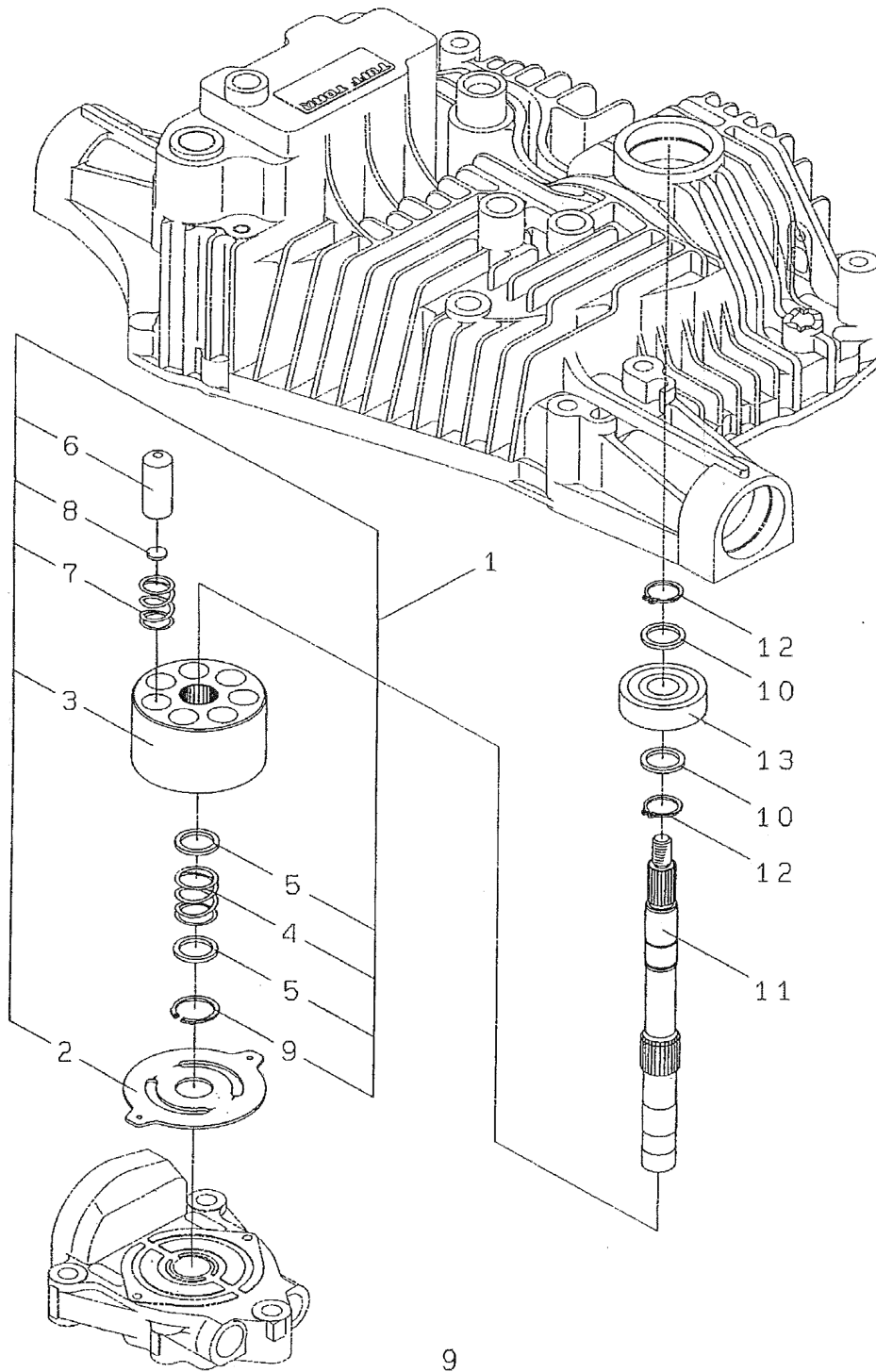
FIG. 4 FILTER ASSY



K70A & B		
ref. no.	Description	TTC PART #
4-1	filter	19216726451
4-2	contained in filter	
4-3	contained in filter	
4-4	oil cap	NO LONGER AVAILABLE
4-5	packing	NO LONGER AVAILABLE



FIG. 5 PUMP SHAFT ASSY



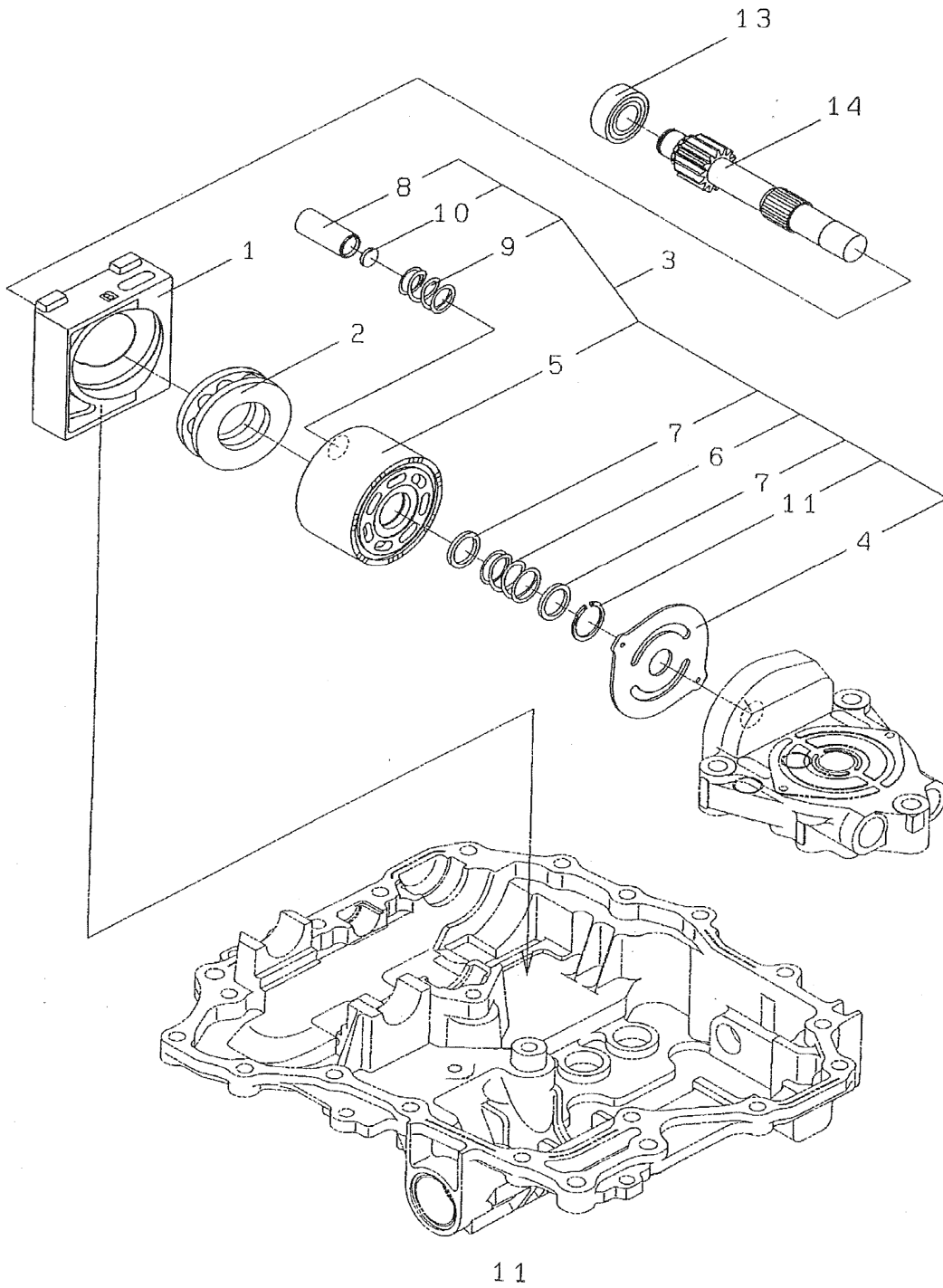
9



K70A & B		
ref. no.	Description	TTC PART #
5-1	cylinder block cmp	NO LONGER AVAILABLE
5-2	plate (pump)	NO LONGER AVAILABLE
5-3	cylinder block	NO LONGER AVAILABLE
5-4	spring cylinder block	19215725210
5-5	washer 18*23.5*1.6	19215725220
5-6	piston	NO LONGER AVAILABLE
5-7	spring cylinder block	NO LONGER AVAILABLE
5-8	washer	NO LONGER AVAILABLE
5-9	ring 24	22262000240
5-10	washer 17*23*1	19215725040
5-11	pump shaft	19216725251
5-12	ring 17	19216725310
5-13	ball bearing 6303	24101063034



FIG. 6 MOTOR SHAFT ASSY



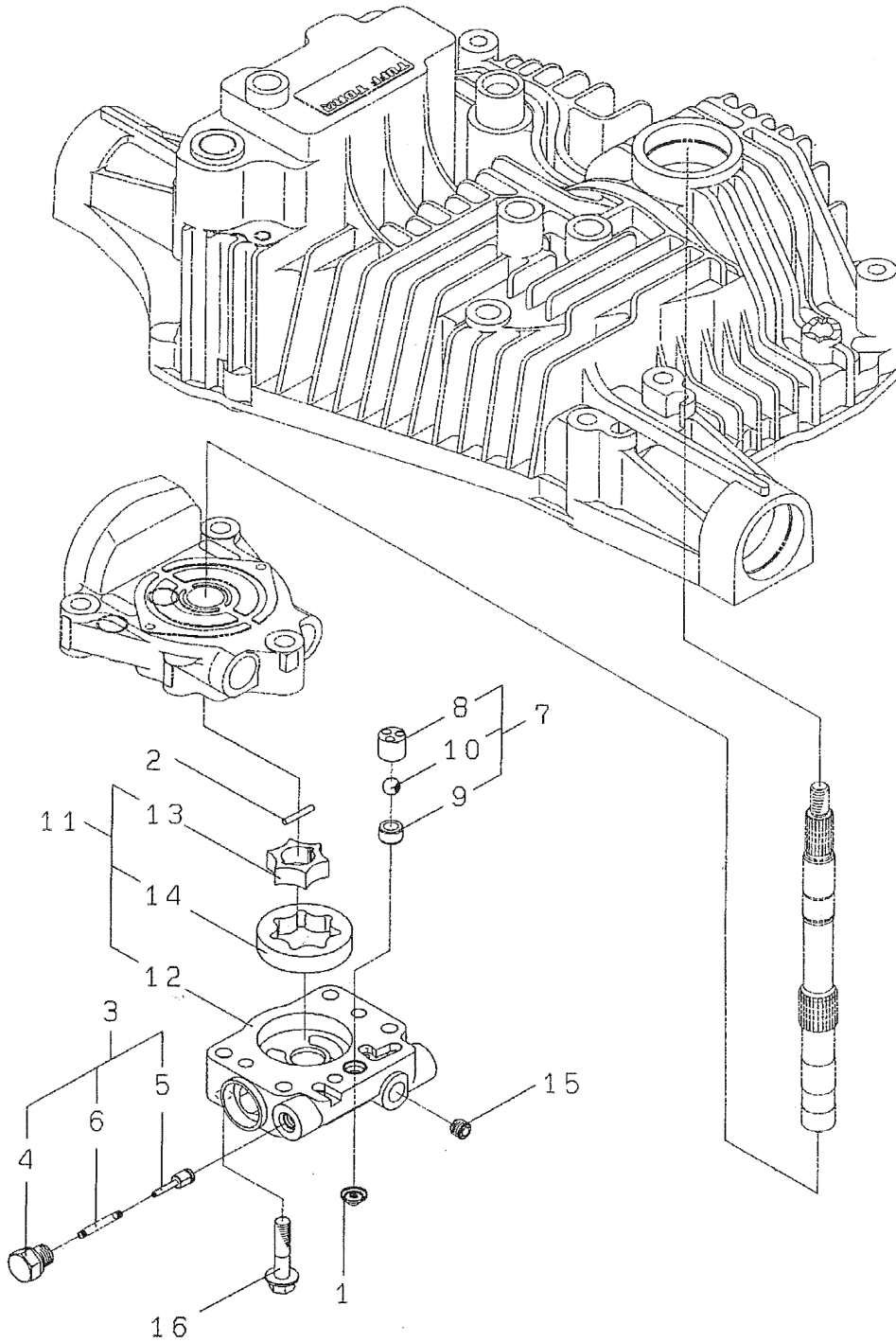
K70A & B		
ref. no.	Description	TTC PART #
6-1	housing	NO LONGER AVAILABLE
6-2	bearing 51207	19216724240
6-3	cylinder block cmp	NO LONGER AVAILABLE
6-4	plate (motor)	19216724541
6-5	cylinder block	NO LONGER AVAILABLE
6-6	spring cylinder block	NO LONGER AVAILABLE
6-7	washer 18*23.5*1.6	NO LONGER AVAILABLE
6-8	piston	NO LONGER AVAILABLE
6-9	piston spring	NO LONGER AVAILABLE
6-10	spring	19215725210
6-11	ring 24	22262000240
6-12	motor shaft	19216725270
6-13	bearing	19216733421



K70A		
ref. no.	Description	TTC PART #
7-1	strainer	NO LONGER AVAILABLE
7-2	pin	19216726080
7-3	connector	19216726200
7-4	valve cmp	19216726250
7-5		contained in 4
7-6		contained in 4
7-7		contained in 4
7-8	valve cmp	19216726300
7-9		contained in 8
7-10		contained in 8
7-11		contained in 8
7-12	3rd check	NO LONGER AVAILABLE
7-13	sleeve	NO LONGER AVAILABLE
7-14	sheet	NO LONGER AVAILABLE
7-15	ball	NO LONGER AVAILABLE
7-16	pump body cmp	19216726401
7-17		contained in 16
7-18		contained in 16
7-19		contained in 16
7-20	o-ring 6.1	19485049290
7-21	o-ring 1A P16	24311000160
7-22	bolt 8*45	187T0010070
7-23	plug	23871010000



FIG. 8 POWER PUMP ASSY



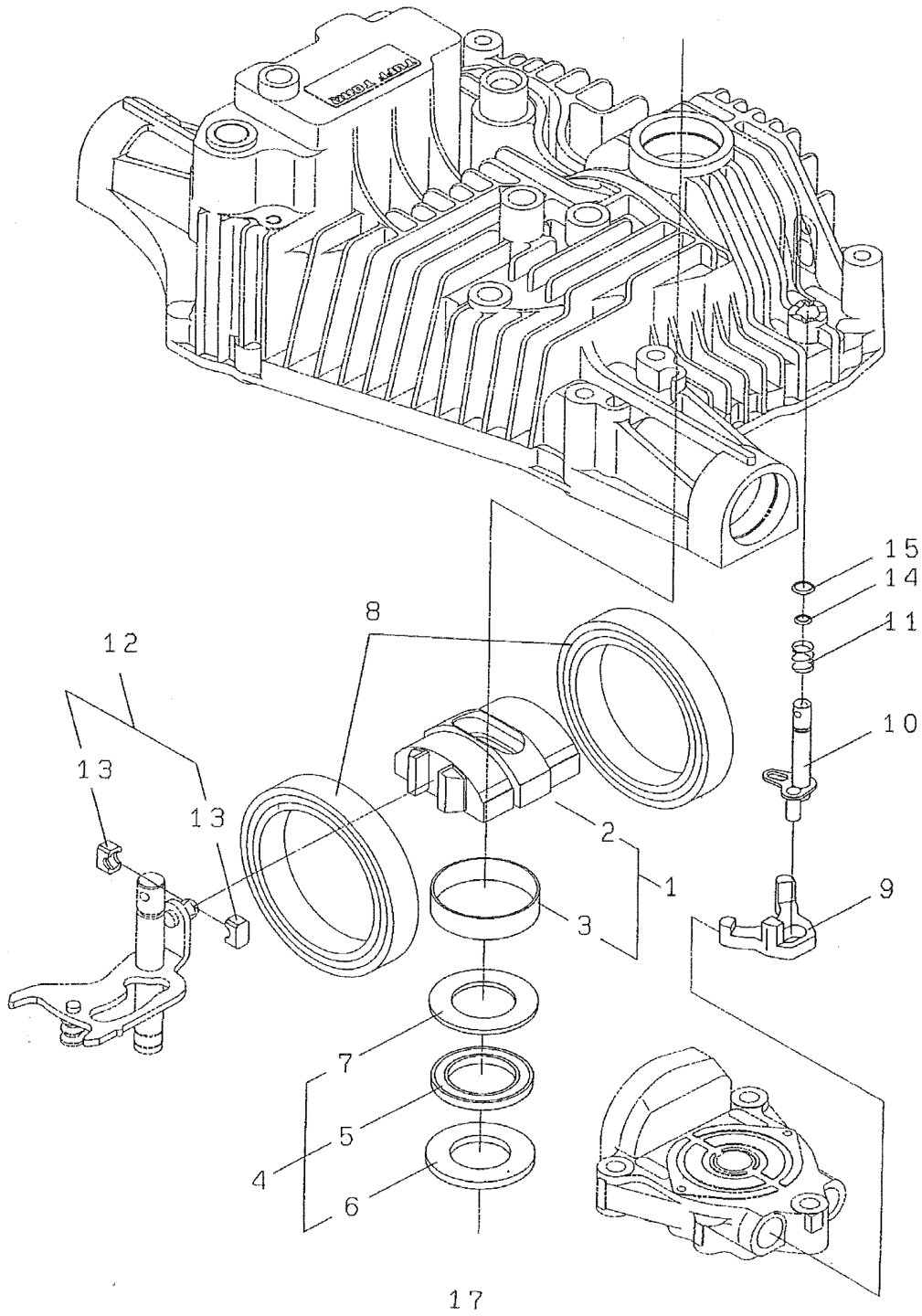
15



K70B		
ref. no.	Description	TTC PART #
8-1	strainer	NO LONGER AVAILABLE
8-2	connector	19216726200
8-3	valve cmp	19216726300
8-4	contained in 3	
8-5	contianed in 3	
8-6	contained in 3	
8-7	3rd check	NO LONGER AVAILABLE
8-8	sleeve	NO LONGER AVAILABLE
8-9	sheet	NO LONGER AVAILABLE
8-10	ball	NO LONGER AVAILABLE
8-11	pump body cmp	NO LONGER AVAILABLE
8-12	pump case b	NO LONGER AVAILABLE
8-13	inner rotor	NO LONGER AVAILABLE
8-14	outer rotor	NO LONGER AVAILABLE
8-15	plug	23871010000
8-16	bolt 8*45	187T0010070



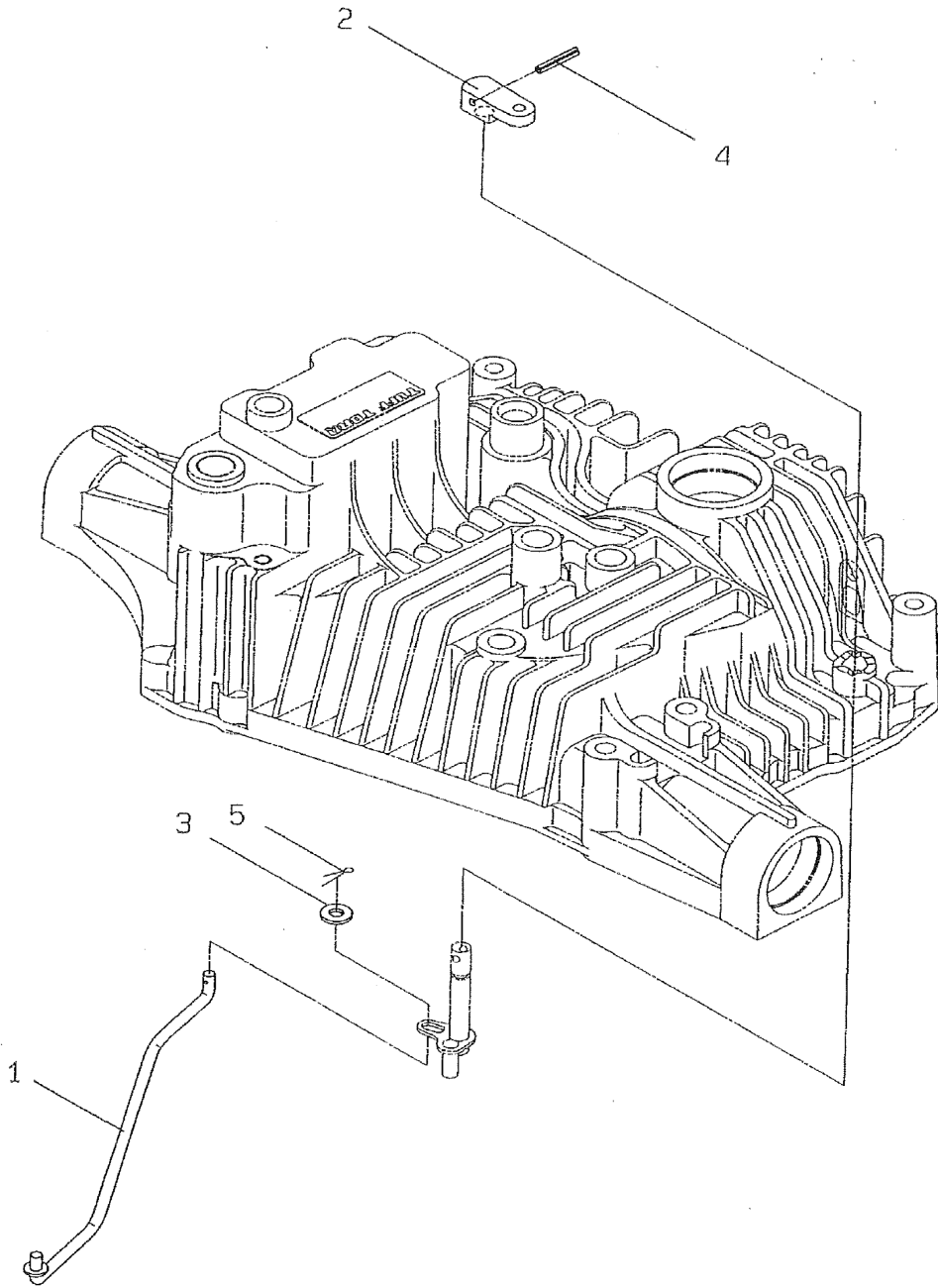
FIG. 9 RANGE SHIFT ASSY



K70A & B		
ref. no.	Description	TTC PART #
9-1	swashplate cmp	19216727100
9-2	contained in 1	
9-3	contained in 1	
9-4	bearing cmp	19216727141
9-5	contained in 4	
9-6	contained in 4	
9-7	contained in 4	
9-8	bearing	19216727190
9-9	arm	19216727250
9-10	shaft	19216727260
9-11	spring	19215427281
9-12	shift block kit	19215427321
9-13	contained in 12	
9-14	O-ring p7	24311000070
9-15	O-ring p10	24311000100



FIG. 10 BYPASS RETURN ASSY



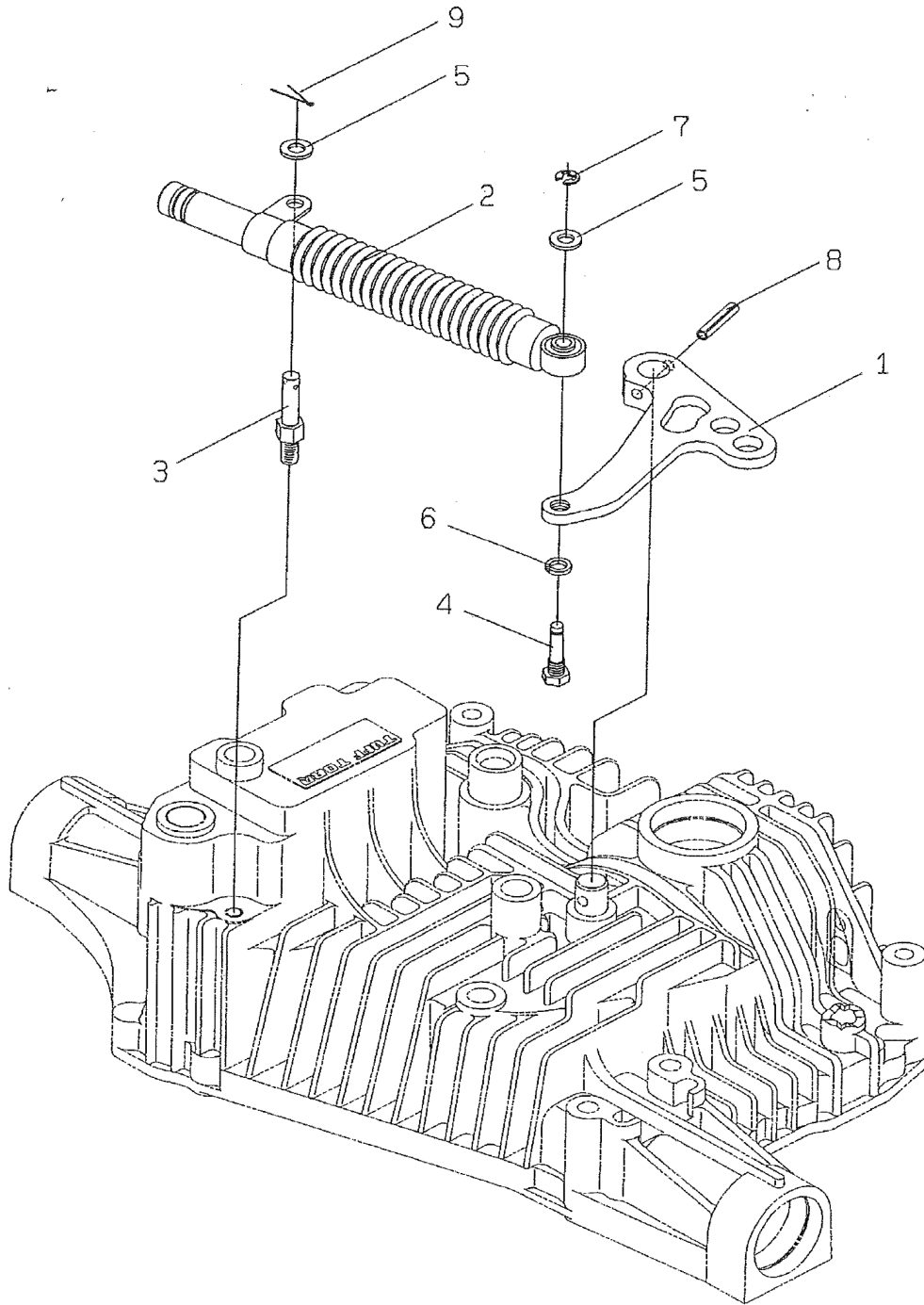
19



K70A & B		
ref. no.	Description	TTC PART #
10-1	rod	19216729510
10-2	arm	NO LONGER AVAILABLE
10-3	washer 6	22137060000
10-4	pin roll 4* 25	22351040025
10-5	cotter pin 2.0*20	22417200200



FIG. 11 LEVER DAMPER ASSY



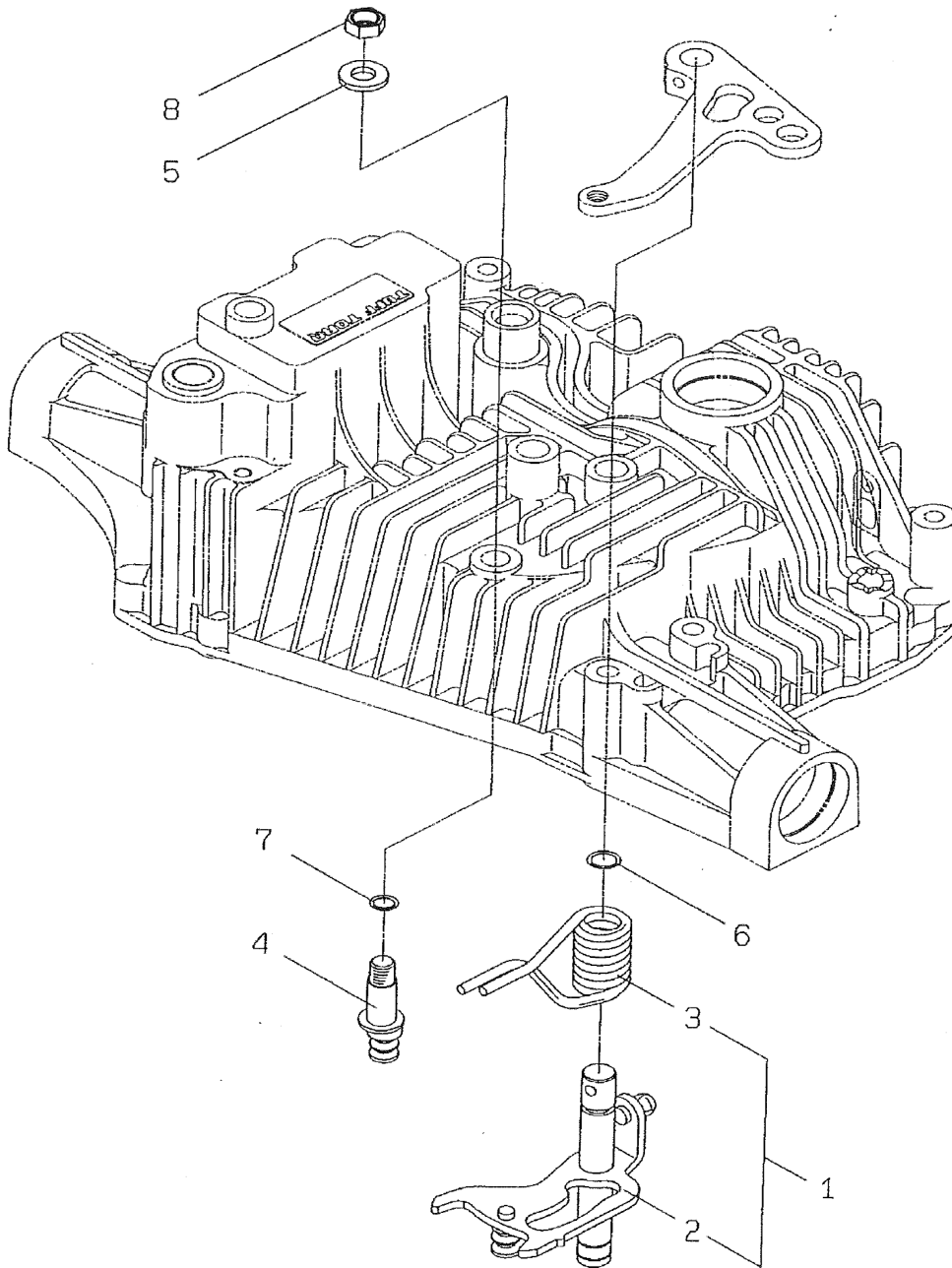
21



K70A & B		
ref. no.	Description	TTC PART #
11-1	arm (h control)	19215429571
11-2	shock absorber	19215429610
11-3	stud	19215429640
11-4	bolt	NO LONGER AVAILABLE
11-5	washer 8	NO LONGER AVAILABLE
11-6	washer 10	22217100000
11-7	ring 6	22272000060
11-8	roll pin 6*40	22351060040
11-9	cotter pin 2.0*20	22417200200



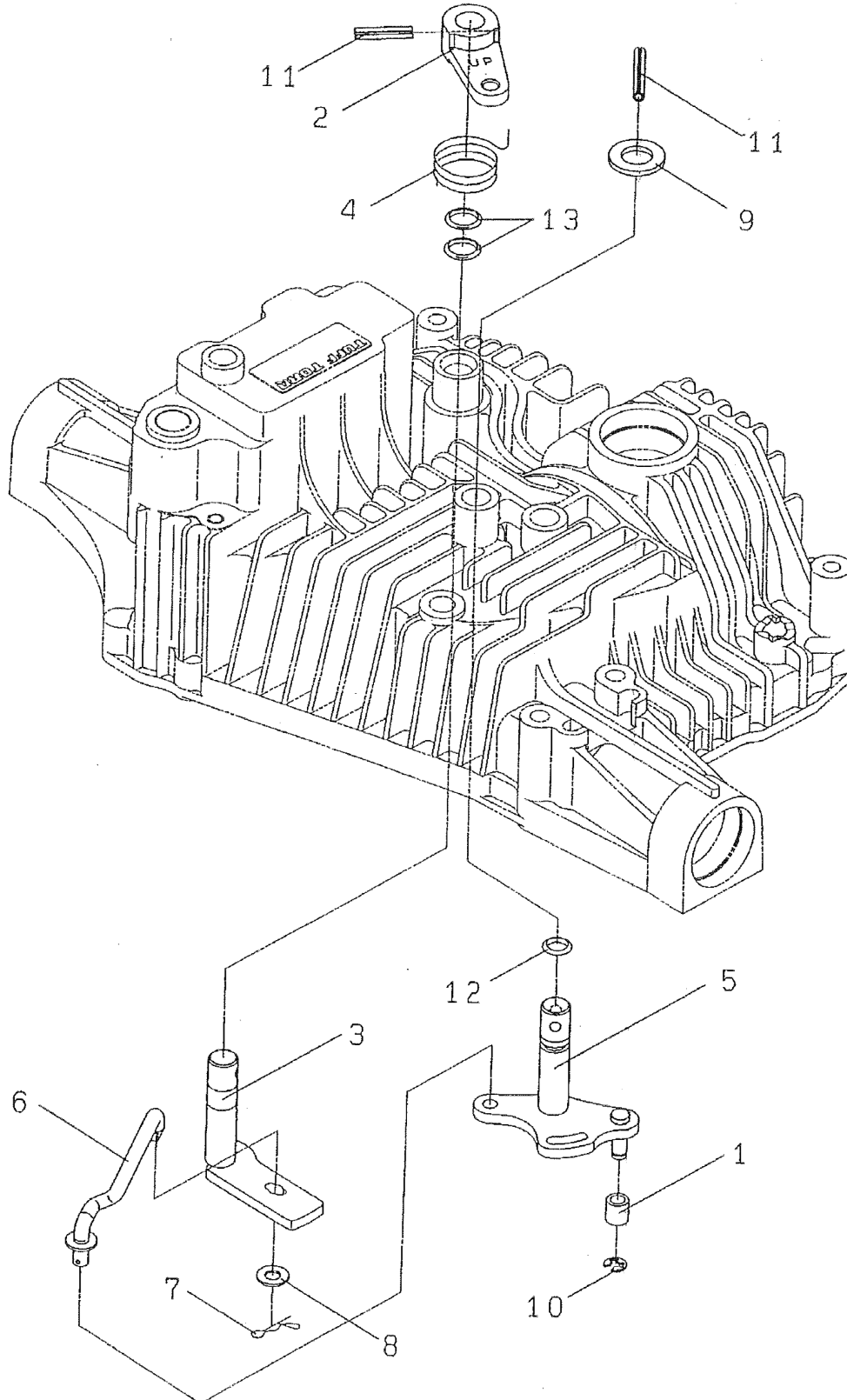
FIG. 12 N-CENTERING ASSY



K70A & B		
ref. no.	Description	TTC PART #
12-1	control shaft cmp	19216729681
12-2	contained in 1	
12-3	contained in 1	
12-4	fulcrum	NO LONGER AVAILABLE
12-5	washer 12	22137120000
12-6	O-ring P12	24311000120
12-7	o-ring 1a 10A	24311240100
12-8	nut 12	26776120002



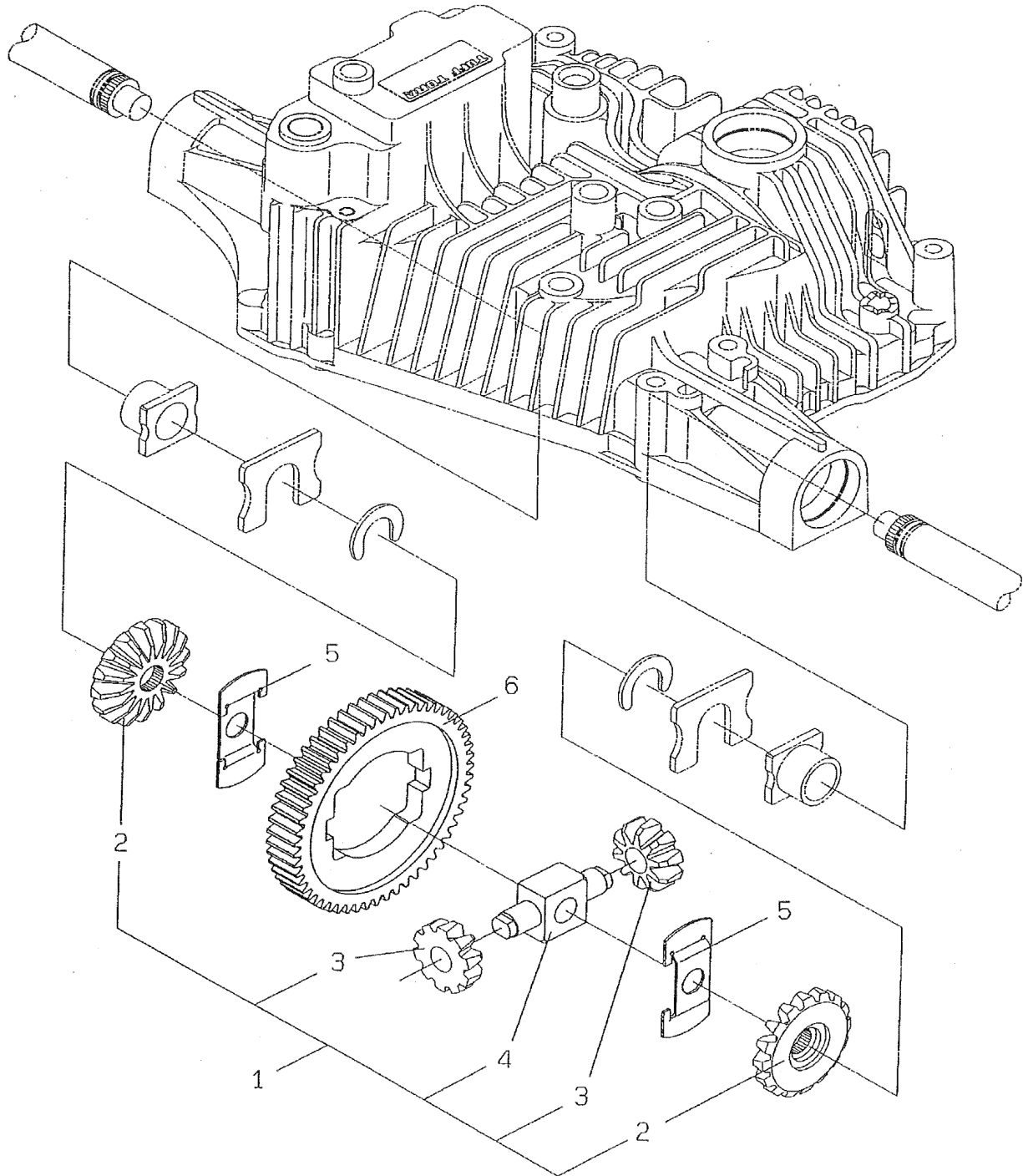
FIG. 13 BRAKE INTERLOCK ASSY



K70A & B		
ref. no.	Description	TTC PART #
13-1	bushing	NO LONGER AVAILABLE
13-2	arm (brake)	19215429870
13-3	shaft	NO LONGER AVAILABLE
13-4	spring	NO LONGER AVAILABLE
13-5	arm (brake)	NO LONGER AVAILABLE
13-6	rod	NO LONGER AVAILABLE
13-7	pin snap	NO LONGER AVAILABLE
13-8	washer 8	NO LONGER AVAILABLE
13-9	washer 16	22137160000
13-10	ring 6	22272000060
13-11	roll pn 6*40	22351060040
13-12	O-Ring P12	24311000120
13-13	o-ring 1A P16	24311000160



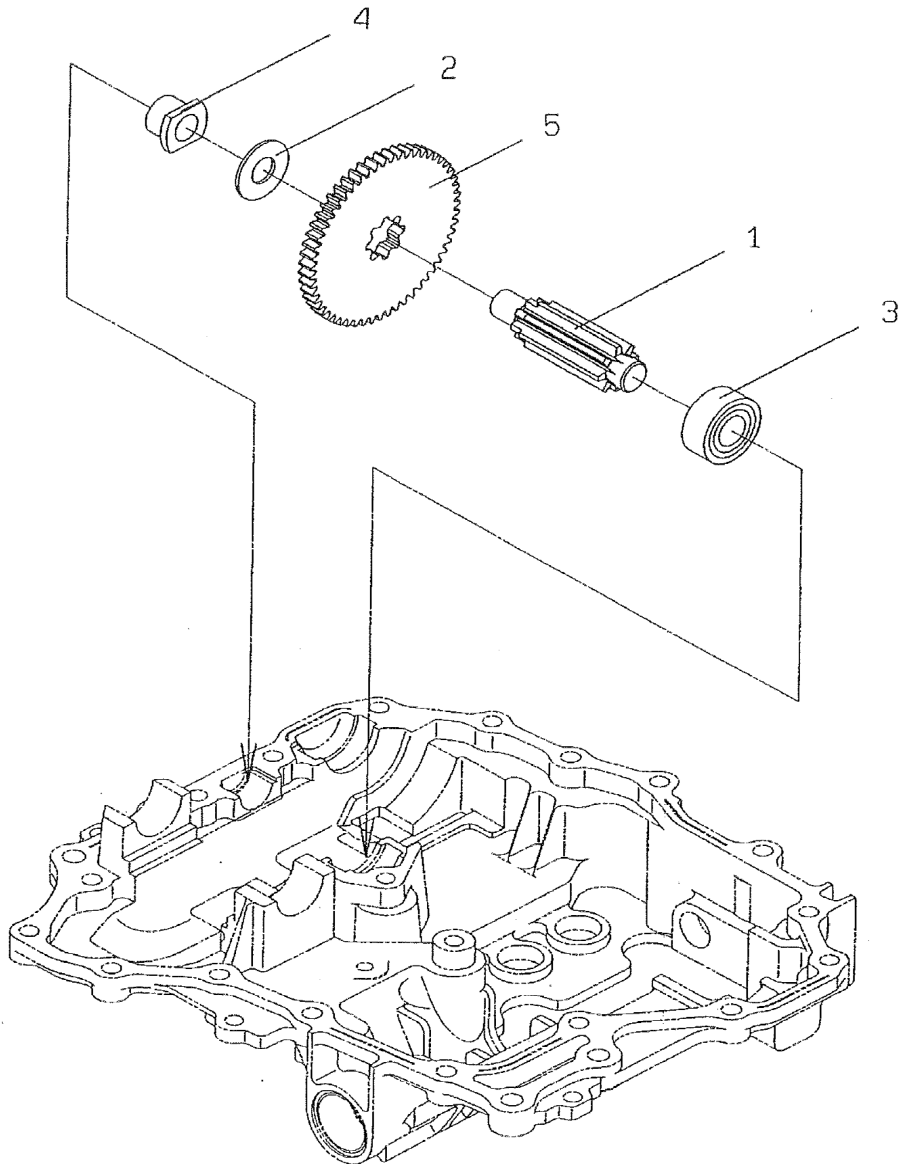
FIG. 14 DIFF. GEAR ASSY



K70A & B		
ref. no.	Description	TTC PART #
14-1	diff gear kit	NO LONGER AVAILABLE
14-2	gear	NO LONGER AVAILABLE
14-3	gear	NO LONGER AVAILABLE
14-4	shaft	NO LONGER AVAILABLE
14-5	washer	NO LONGER AVAILABLE
14-6	gear	NO LONGER AVAILABLE



FIG. 15 FINAL PINION ASSY



29

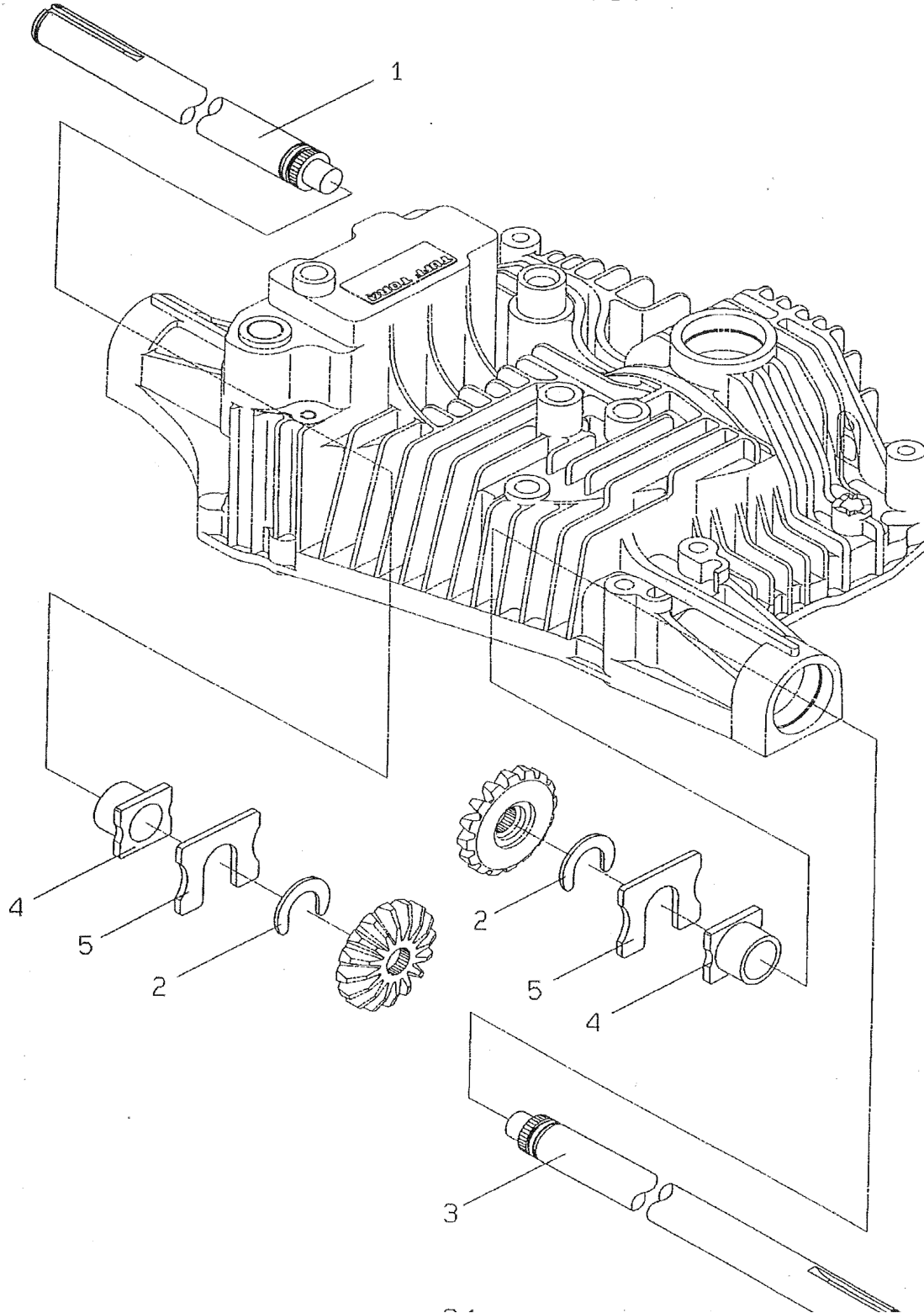


K70A & B

ref. no.	Description	TTC PART #
15-1	pinion shaft	19216733410
15-2	washer 15*32*1	19215433420
15-3	bearing	19216733421
15-4	bushing 15	19215433430
15-5	reduction gear	19216733440



FIG. 16 AXLE SHAFT ASSY

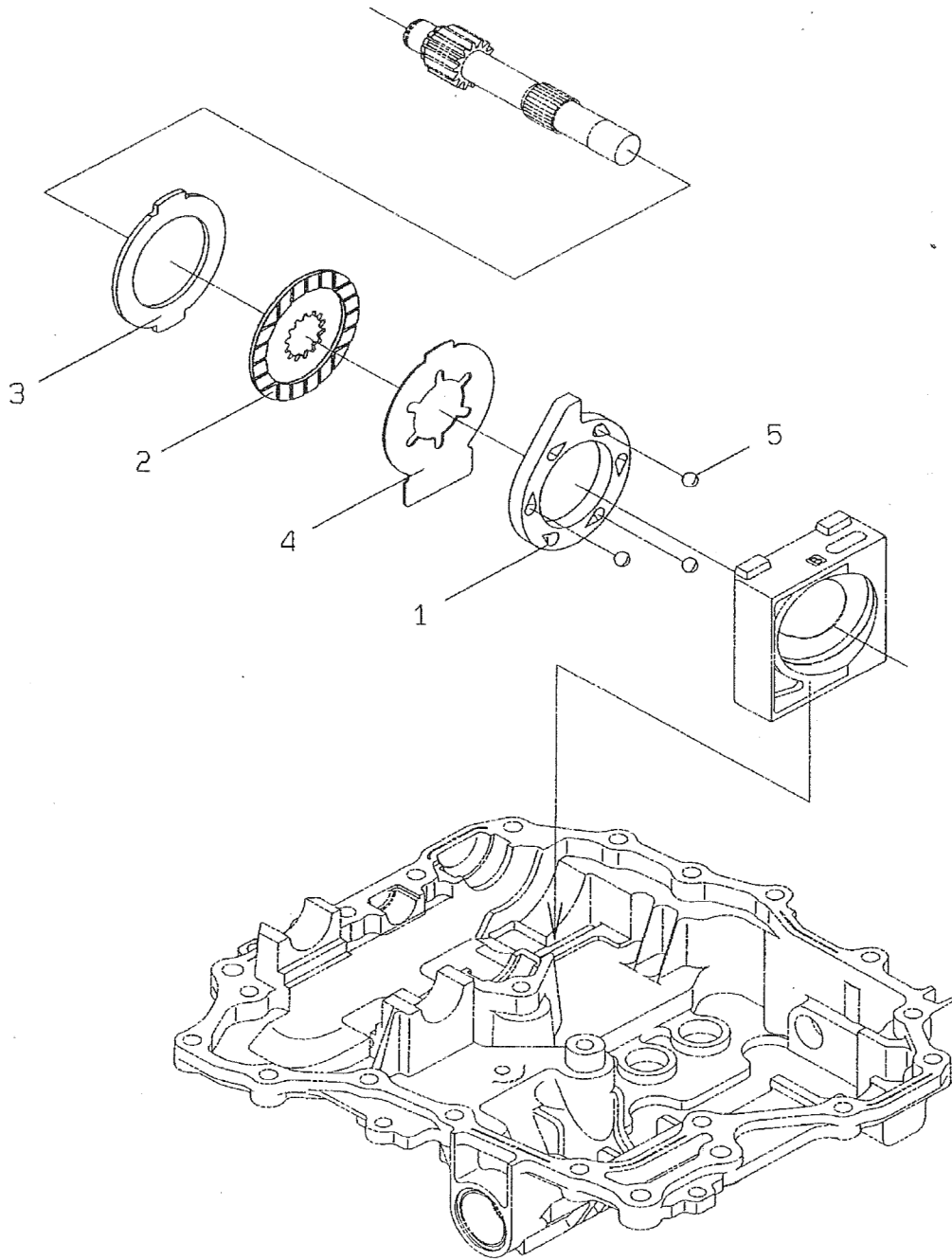


K70A & B

ref. no.	Description	TTC PART #
16-1	axle shaft l	19216734110
16-2	retaining ring 23	19216734160
16-3	axle shaft r	19216734210
16-4	bushing	19216734240
16-5	thrust washer	19216734290



FIG. 17 BRAKE ASSY



K70A & B

ref. no.	Description	TTC PART #
17-1	actuator	19216729810
17-2	plate	19216729830
17-3	plate	19216729840
17-4	plate	19216729850
17-5	ball 3/8	24190120001



Seals for K70		
Part Name	Part Number	Quantity
Axle Seal	187Q0134260	2
O-ring 1015	187K0824940	2
seal 17*47*8	19216725260	1
Filter	19216726451	1
O-ring 6.1	19485049290	2
WASHER SEAL 8	22190080000	1
O-ring P7	24311000070	1
O-ring P10	24311000100	1
O-ring P12	24311000120	3
O-ring 1A P16	24311000160	4
O-ring P18	24311000180	1
O-ring 1A 10A	24311240100	1
O-ring 1A 1017	24351010170	2
Sealant	1a646099500	1

